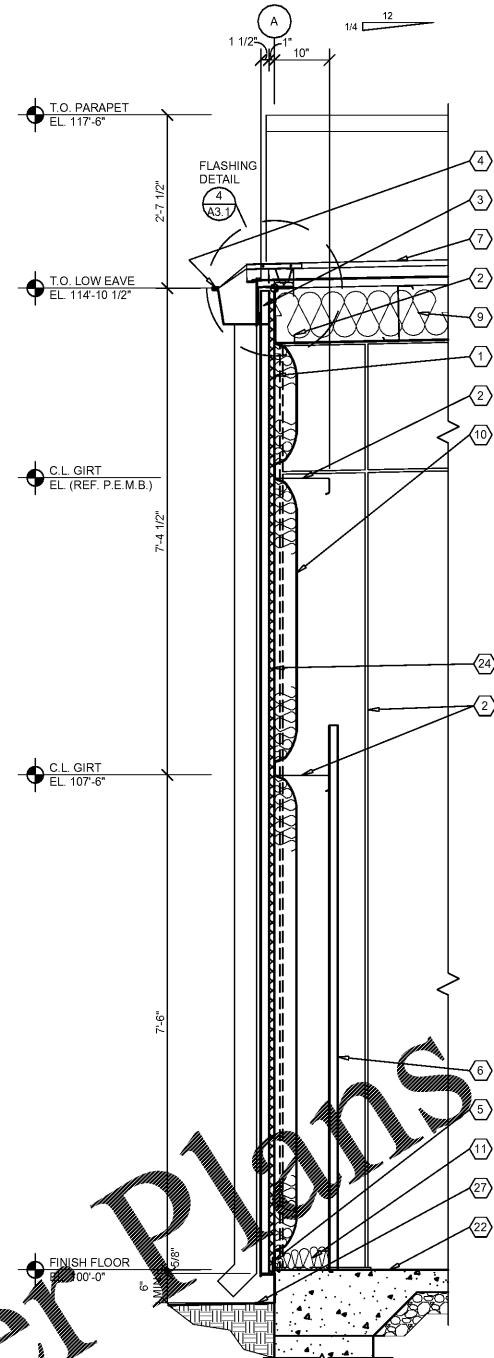


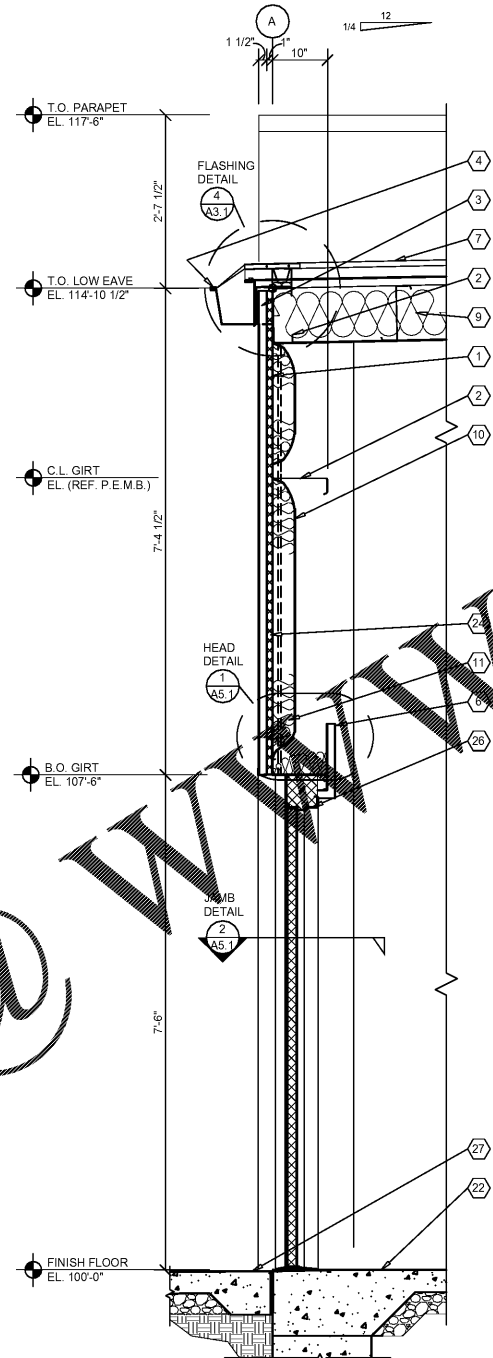
1 WALL SECTION

A3.2 SCALE: 3/4" = 1'-0"



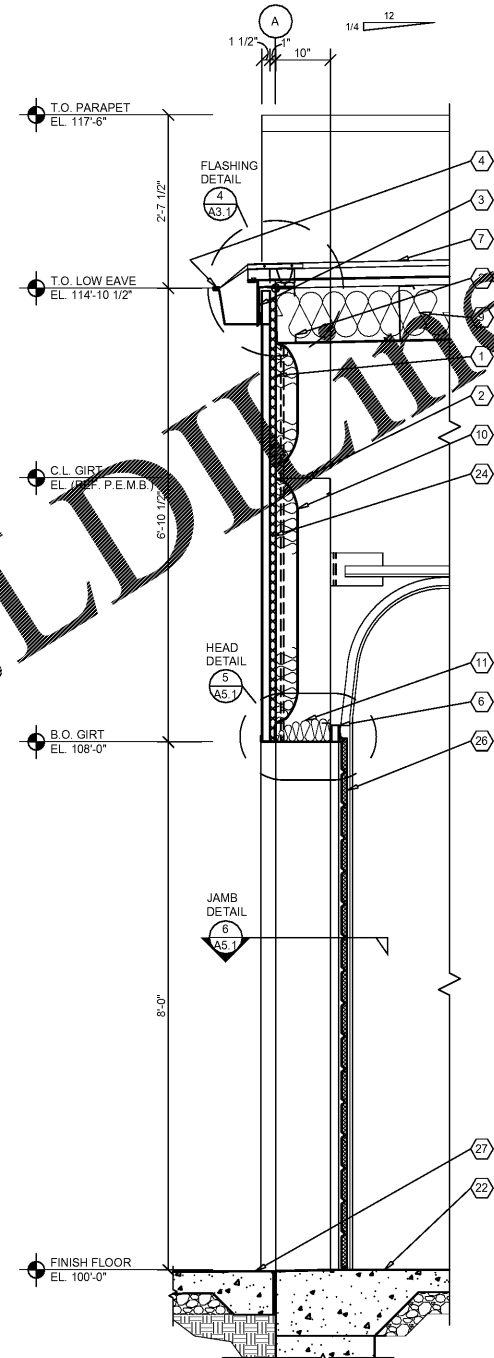
2 WALL SECTION

A3.2 SCALE: 3/4" = 1'-0"



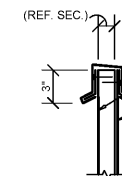
3 WALL SECTION

A3.2 SCALE: 3/4" = 1'-0"



4 WALL SECTION

A3.2 SCALE: 3/4" = 1'-0"



5 SECTION

A3.2 SCALE: 1 1/2" = 1'-0"

GENERAL NOTES

- (A) REFER TO PROJECT MANUAL AND SCOPE OF WORK SCHEDULE FOR ADDITIONAL REQUIREMENTS.
- (B) REFER TO CIVIL, STRUCTURAL, MECHANICAL, ELECTRICAL, PLUMBING, AND PRE-ENGINEERED METAL BUILDING (P.E.M.B.) SHOP DRAWINGS FOR ADDITIONAL REQUIREMENTS.
- (C) REFER TO INTERIOR AND EXTERIOR FINISH SCHEDULES FOR MATERIAL TYPES, COLORS AND FINISHES.
- (D) DIMENSIONS ARE TO FACE OF CONCRETE, FRAMING, OR CENTER LINE OF STRUCTURE UNLESS OTHERWISE INDICATED.
- (E) NOT ALL INSULATION SHOWN FOR CLARITY.

KEY NOTES

- 1 PRE-ENGINEERED METAL BUILDING EXTERIOR WALL PANEL SYSTEM.
- 2 PRE-ENGINEERED METAL BUILDING PRIMARY AND SECONDARY STRUCTURAL FRAMING SYSTEMS.
- 3 PRE-ENGINEERED METAL BUILDING SHEET METAL FLASHING, COUPLER - FLASHING, CONTINUOUS CLEATS, DRIPS CLOSURES, TRANSITIONS, COPINGS AND ACCESSORIES AS REQUIRED.
- 4 PRE-ENGINEERED METAL BUILDING GUTTER AND DOWNSPOUT SYSTEM. REFER TO EXTERIOR. REFER TO P.E.M.B. SHOP DRAWINGS FOR SIZES.
- 5 PRE-ENGINEERED METAL BUILDING BASE ANGLE OR GIRT WITH PANEL CLOSURE AND SEALANT SYSTEM.
- 6 PRE-ENGINEERED METAL BUILDING INTERIOR WALL LINER PANEL.
- 7 PRE-ENGINEERED METAL BUILDING ROOF PANEL SYSTEM WITH THERMAL SPACER BLOCKS (R-5 MIN.).
- 8 PRE-ENGINEERED METAL BUILDING SOFFIT PANEL SYSTEM OR FIELD FABRICATED SHEET METAL CLADDING SYSTEM TO MATCH FRONT EXTERIOR WALL PANELS. REFER TO PEMB DRAWINGS FOR REQUIREMENTS.
- 9 PRE-ENGINEERED METAL BUILDING ROOF INSULATION (R-36) LINER SYSTEM. (REFER TO SCOPE OF WORK SCHEDULE). VAPOR BARRIER OVER HIGH STRENGTH STEEL SUSPENSION STRAPS ATTACHED TO BOTTOM OF PRE-ENGINEERED METAL BUILDING ROOF PURLINS WITH: (1) LAYER 6" (R-25) UN-FACED BATT INSULATION PARALLEL WITH ROOF PURLIN CAVITY AND (1) LAYER 3 1/2" (R-11) UN-FACED BATT INSULATION PERPENDICULAR OVER TOP OF ROOF PURLINS.
- 10 PRE-ENGINEERED METAL BUILDING WALL INSULATION (R-13) WITH VAPOR BARRIER SYSTEM. (REFER TO SCOPE OF WORK SCHEDULE).
- 11 BATT INSULATION (R-19) WITH FOIL FACE VAPOR BARRIER (CONTRACTOR FURNISHED AND INSTALLED).
- 12 ALUMINUM WINDOW SYSTEM. REFER TO FLOOR PLAN AND WINDOW SCHEDULES FOR TYPES.
- 13 PRE-FINISHED SHEET METAL (24 GA.) COLUMN ENCLOSURE TO EXTEND THRU FINISH CEILING SYSTEM. COLOR TO MATCH WINDOW FRAMING FINISH.
- 14 SUSPENDED ACOUSTICAL LAY - IN CEILING SYSTEM. REFER TO INTERIOR FINISH SCHEDULE FOR TYPES AND LOCATIONS.
- 15 6" (18 GA.) COLD FORM METAL STUD FRAMING AT 24" O.C. ATTACHED TO PRE - ENGINEERED METAL BUILDING STRUCTURAL FRAMING SYSTEM. REFER TO STRUCTURAL DRAWINGS.
- 16 5/8" TYPE "X" GYPSUM BOARD (PAINT).
- 17 SURFACE MOUNTED WALL SIGN. OWNER FURNISHED AND INSTALLED. (REFER TO SCOPE OF WORK SCHEDULE). PROVIDE BACKING AND ELECTRICAL ROUGH-IN. REFER TO ELECTRICAL DRAWINGS.
- 18 (NOT USED).
- 19 FIRE TREATED 2X BLOCKING ATTACHED TO PRE-ENGINEERED METAL BUILDING STRUCTURAL SYSTEM.
- 20 (NOT USED).
- 21 RECESSED LIGHTING FIXTURE. REFER TO ELECTRICAL DRAWINGS FOR TYPE AND LOCATION.
- 22 FLOORING AND BASE. REFER TO INTERIOR FINISH SCHEDULE FOR TYPES AND LOCATIONS.
- 23 3 5/8" (20 GA.) COLD FORM METAL STUD FRAMING AT 24" O.C., REFER TO FLOOR PLAN AND INTERIOR WALL TYPES.
- 24 1" POLYISOCYANURATE (R- 4.6 MIN.) RIGID INSULATION BOARD WITH FOIL FACE VAPOR BARRIER.
- 25 PRE-ENGINEERED METAL BUILDING TRANSITION SUPPORT BENT PLATE.
- 26 DOOR AND FRAME SYSTEM. REFER TO FLOOR PLAN AND SCHEDULES FOR TYPES.
- 27 FINISH LAWN, PAVEMENT OR SIDEWALK. SLOPE TO DRAIN AWAY FROM BUILDING. REFER TO CIVIL DRAWINGS.

NOTE:
REFER TO STRUCTURAL DRAWINGS FOR FOOTINGS,
FOUNDATIONS, SLABS AND REINFORCEMENT.

INDIVIDUAL ARCHITECTURAL
REGISTRATION NO.: A0017636



Date: 2020.04.20
20:20:45 -05'00"
Adobe Acrobat version:
2019.012.20040

SEALS BEARING THIS SEAL ARE
AUTHENTICATED. RESPONSIBILITY FOR
ALL OTHER PLANS, SPECIFICATIONS
OR INSTRUMENTS ARE DISCLAIMED.

O'Reilly AUTO PARTS
CORPORATE OFFICES
293 SOUTH PATTERSON
SPRINGFIELD, MISSOURI 65802
(417) 866-2674 TELEPHONE

PROJECT:
NEW O'REILLY AUTO PARTS STORE
2425 COUNTY HIGHWAY 484
OCALA, FLORIDA

WALL SECTIONS

Buddy Webb, NCARB, AIA
Architect - Consultant
3057 EAST CAIRO
SPRINGFIELD, MISSOURI 65802
(417) 877-1385 TELEPHONE
(417) 877-9736 FAX

DRAWN BY: CHECKED BY:

RJD SB

DATE:

04/01/20

REVISION:

PROJECT NUMBER:

OF7

SHEET NUMBER

A3.2

© COPYRIGHT 2020 - DESIGNS, DRAWINGS AND SPECIFICATIONS ARE INSTRUMENTS OF SERVICE AND ARE THE PROPERTY OF THE DESIGN PROFESSIONAL. REPRODUCTION PROHIBITED WITHOUT THE EXPRESSED WRITTEN CONSENT OF THE DESIGN PROFESSIONAL.