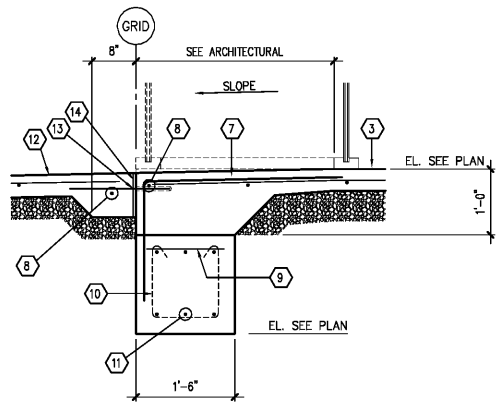
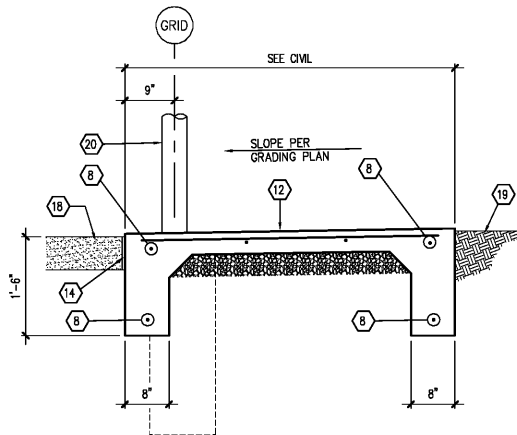


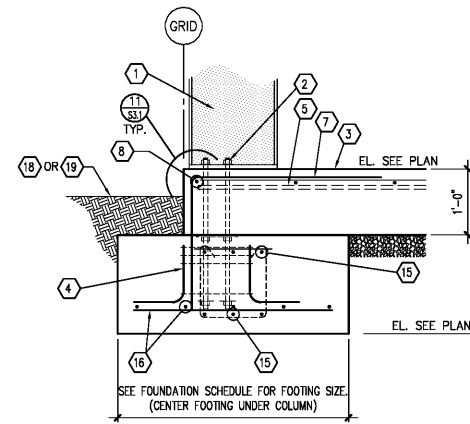
1 SECTION
S3.1 SCALE: 3/4" = 1'-0"



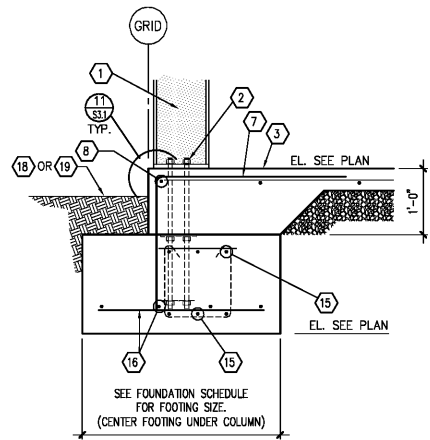
2 SECTION
S3.1 SCALE: 3/4" = 1'-0"



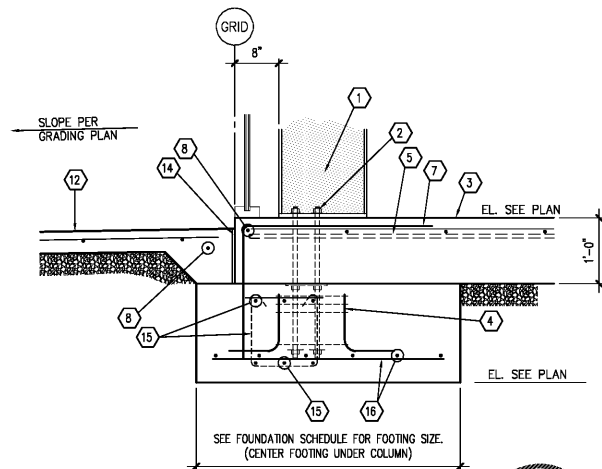
3 SECTION
S3.1 SCALE: 3/4" = 1'-0"



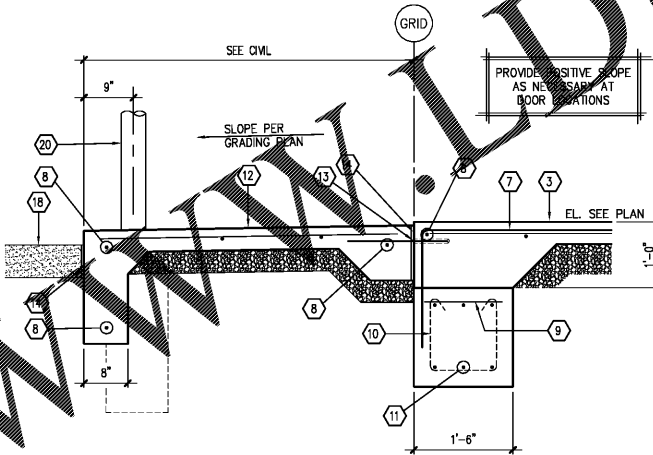
4 SECTION
S3.1 SCALE: 3/4" = 1'-0"



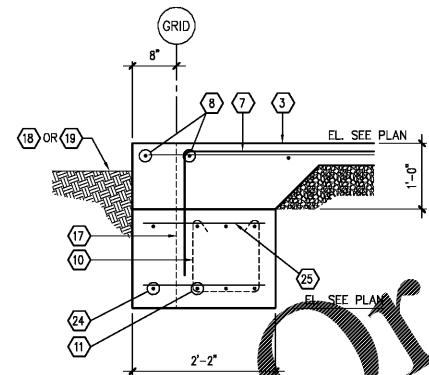
5 SECTION
S3.1 SCALE: 3/4" = 1'-0"



6 SECTION
S3.1 SCALE: 3/4" = 1'-0"



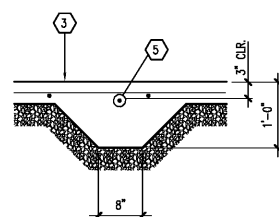
7 SECTION
S3.1 SCALE: 3/4" = 1'-0"



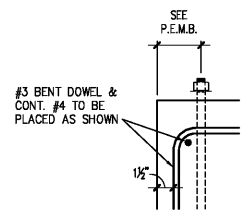
8 SECTION
S3.1 SCALE: 3/4" = 1'-0"



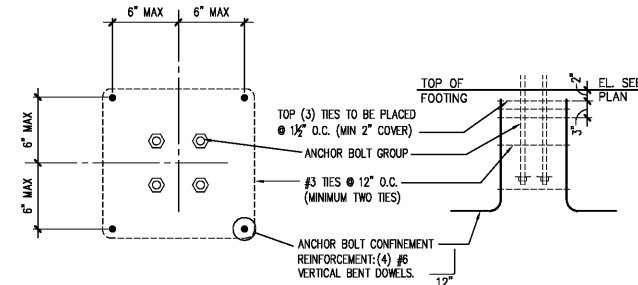
9 TYPICAL HAIRPIN DETAIL
S3.1 SCALE: NONE



10 SECTION
S3.1 SCALE: 3/4" = 1'-0"



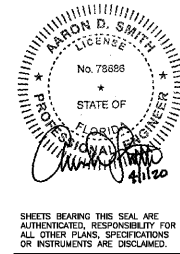
11 DETAIL
S3.1 SCALE: 3/4" = 1'-0"



12 SECTION
S3.1 SCALE: VARIES

KEYNOTES

- 1 PRE-ENGINEERED METAL BUILDING STRUCTURAL SYSTEM. SEE P.E.M.B. SHOP DRAWINGS FOR ADDITIONAL INFORMATION.
- 2 ANCHOR BOLTS. SEE FOUNDATION DETAILS AND PRE-ENGINEERED METAL BUILDING DRAWINGS FOR SIZE, QUANTITY AND PLAN LOCATION. SEE 1/S3.2 FOR TYPICAL SHOP FABRICATED ANCHOR ASSEMBLY.
- 3 INTERIOR CONCRETE SLAB SEE FOUNDATION PLAN.
- 4 SEE DETAIL 12/S3.1 FOR VERTICAL ANCHOR BOLT CONFINEMENT REINFORCEMENT
- 5 SLAB HAIRPIN - SEE DETAIL 9/S3.1
- 6 SEE FOUNDATION SCHEDULE FOR PILASTER REINFORCEMENT.
- 7 #3x5'-0" DOWEL @ 36" O.C. FIELD BEND AS SHOWN 2'
- 8 #4 CONTINUOUS (PROVIDE BENT BARS AT SLAB CORNERS)
- 9 #3 DOWELS @ 48" O.C.
- 10 #3 STIRRUPS @ 48" O.C.
- 11 (3) #4's CONTINUOUS TOP AND BOTTOM
- 12 EXTERIOR CONCRETE SLAB OR SIDEWALK SEE FOUNDATION PLAN.
- 13 AT EXTERIOR CORNER LOCATIONS DRILL 6" DEEP HOLES FOR #4x1'-6" DOWELS @ 36" O.C. AND ALL IN PLACE. SEE ADHESIVE ANCHOR SYSTEM NOTES SHEET S3.1 FOR INSTALLATION
- 14 ISOLATION JOINT WITH ASPHALTIC FILLER & SEALANT
- 15 CONTINUOUS FOOTING REINFORCEMENT TO RUN THROUGH COLUMN FOUNDATIONS. SEE SECTION 1/S3.1 FOR REINFORCEMENT INFORMATION.
- 16 COLUMN FOOTING REINFORCEMENT-SEE FOUNDATION SCHEDULE.
- 17 CONTINUOUS FOOTING BEYOND
- 18 PAVING, SEE SITE DEVELOPMENT DRAWINGS FOR ADDITIONAL INFORMATION.
- 19 SEE GRADING PLAN FOR FINISHED GRADES.
- 20 STEEL BOLLARD SEE SITE PLAN.
- 21 #4 CORNER REINFORCEMENT CENTERED IN SLAB. 36"
- 22 (3) #3 TIES @ 12" O.C.
- 23 #3 TIES @ 12" O.C.
- 24 ADDITIONAL #4 CONTINUOUS AT TOP AND BOTTOM.
- 25 #3 @ 18" TOP AND BOTTOM.
- 26 #3x6'-0" DOWEL @ 36" O.C. FIELD BEND AS SHOWN 36"
- 27 (5) ADDITIONAL #4s AT THICKENED SLAB



O'Reilly AUTO PARTS
CORPORATE OFFICES
233 SOUTH PATTERSON
SPRINGFIELD, MISSOURI 65802
(417) 862-2674 TELEPHONE

PROJECT:
NEW O'REILLY AUTO PARTS STORE
2425 COUNTY HIGHWAY 484
OCALA, FLORIDA

JS Smith Consulting Engineers, P.C.
Florida State Cap. Reg. No. 14, 20, 2020
Aaron D. Smith P.E. 78888, Jeffrey S. Smith P.E. 34027
1801 W. 23rd St. Bldg. B, Ste. 104, JOPLIN, MISSOURI 64804
O. Ben Ryo, P.L.L.C. MISSOURI 64802
PHONE: 417-862-6044 FAX: 417-862-6430



DRAWN BY: **KW** CHECKED BY: **AS**
DATE: **04/01/20**
REVISION:
PROJECT NUMBER:
OF7

SHEET NUMBER
S3.1

REPRODUCTION PROHIBITED WITHOUT THE EXPRESSED WRITTEN CONSENT OF THE DESIGN PROFESSIONAL. COPYRIGHT 2020