



SHEETS BEARING THIS SEAL ARE AUTHENTICATED. RESPONSIBILITY FOR ALL OTHER PLANS, SPECIFICATIONS OR INSTRUMENTS ARE DISCLAIMED.

Reilly AUTO PARTS
 CORPORATE OFFICES
 233 SOUTH PATTERSON
 SPRINGFIELD, MISSOURI 65802
 (417) 862-2674 TELEPHONE

PROJECT:
 NEW O'REILLY AUTO PARTS STORE
 2425 COUNTY HIGHWAY 484
 OCALA, FLORIDA
SIGN FOUNDATION DETAILS

JS Smith Consulting Engineers, P.C.
 Aaron D. Smith, P.E., License No. 78888
 1801 W. 32nd St., Bldg. B, 8th Fl., Joplin, Missouri 64604
 P.O. Box 8102, Joplin, Missouri 64602
 PHONE: 417-624-0444 FAX: 417-624-0446



DRAWN BY: **KW** CHECKED BY: **AS**
 DATE: **04/01/20**
 REVISION:

PROJECT NUMBER:
OF7

SHEET NUMBER
S1.2

COPYRIGHT 2020 DESIGNS, DRAWINGS AND SPECIFICATIONS ARE INSTRUMENTS OF SERVICE AND ARE THE PROPERTY OF THE DESIGN PROFESSIONAL. REPRODUCTION PROHIBITED WITHOUT THE EXPRESSED WRITTEN CONSENT OF THE DESIGN PROFESSIONAL.

GENERAL NOTES

- A. REFER TO PROJECT MANUAL FOR ADDITIONAL REQUIREMENTS.
- B. CONTACT OWNER'S OR TENANT'S DESIGNATED PROJECT ADMINISTRATOR FOR QUESTIONS OR CLARIFICATIONS.
- C. SITE SIGN FOUNDATIONS AND ROUGH-IN ELECTRICAL TO BE PROVIDED BY CONTRACTOR.
- D. REQUIRED GOVERNMENTAL PERMITS FOR PERMANENT TYPE SIGNAGE TO BE PROVIDED BY OWNER OR OTHERS (N.I.C.).

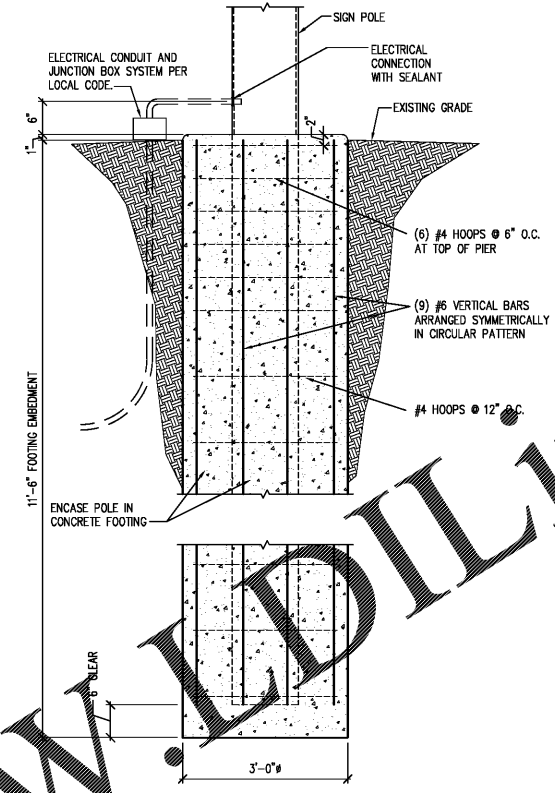
DESIGN CRITERIA

- A. GOVERNING BUILDING CODE
 2017 FLORIDA BUILDING CODE (2015 IBC)
- B. WIND CRITERIA:
 B.1. RISK CATEGORY II
 B.2. $V_{ult} = 131$ mph
 B.3. $V_{des} = 101.5$ mph
 B.4. EXPOSURE "C"
- C. SEISMIC CRITERIA:
 C.1. SITE CLASS "D"
 C.2. SDC = A
 C.3. $R = 0.077$
 C.4. $S_{DS} = 0.040$
 C.5. $S_{D1} = 0.084$

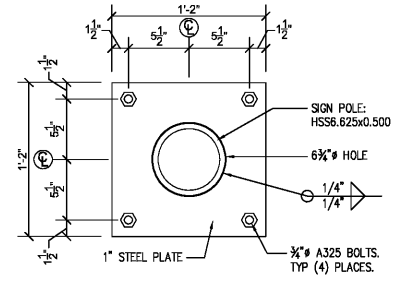
STRUCTURAL NOTES

- A. A GEOTECHNICAL ANALYSIS HAS BEEN PERFORMED ON THIS SITE. SEE PROJECT MANUAL FOR GEOTECHNICAL INFORMATION. APPROPRIATE RECOMMENDATIONS STATED IN THE GEOTECHNICAL REPORT ISSUED BY BECHTOL ENGINEERING AND TESTING, INC. DATED DEC. 19, 2019 SHALL BE FOLLOWED.
- B. THESE FOUNDATIONS HAVE BEEN DESIGNED FOR A VERTICAL SOIL BEARING OF 2000 psf AND LATERAL BEARING OF 275 psf/ft. (NOTE: LATERAL EARTH PRESSURE INCREASED IN ACCORDANCE WITH DESIGN PROVISIONS FOR ISOLATED POLE FOUNDATIONS SUBJECT TO TRANSIENT LATERAL LOADS.)
- C. BRACE POLE SIGN AGAINST LATERAL FORCES UNTIL CONCRETE HAS REACHED SPECIFIED COMPRESSIVE DESIGN STRENGTH.
- D. ALL READY MIX CONCRETE SHALL BE 4000 psi FOR ALL CONCRETE PLACEMENT. DO NOT ADD WATER TO THE MIX DESIGN AFTER DELIVERY TO THE PROJECT SITE.
- E. EXPOSED EXTERIOR CONCRETE SHALL BE AIR-ENTRAINED (TOTAL AIR CONTENT = 5%).
- F. HOT OR COLD WEATHER CONCRETING SHALL BE IN ACCORDANCE WITH ACI 305-89 AND ACI 308-1-90, RESPECTIVELY.
- G. ANY CONCRETE PLACED BY MEANS OF PUMPING SHALL BE DONE IN ACCORDANCE WITH ACI 304.2R (82).
- H. CEMENT SHALL CONFORM TO A.S.T.M. C-150 TYPE III.
- I. AGGREGATES SHALL CONFORM TO A.S.T.M. C-33 FOR NORMAL WEIGHT CONCRETE.
- J. READY MIX CONCRETE SHALL BE MIXED AND DELIVERED IN ACCORDANCE WITH A.S.T.M. C-94.
- K. ADMIXTURES MAY BE USED WITH THE APPROVAL OF THE STRUCTURAL ENGINEER. ADMIXTURES USED TO INCREASE THE WORKABILITY OF THE CONCRETE SHALL NOT BE CONSIDERED TO REDUCE THE CEMENT CONTENT. NO CALCIUM CHLORIDE ADMIXTURES ALLOWED.
- L. FABRICATOR QUALIFICATIONS: FABRICATOR MUST PARTICIPATE IN THE AISC QUALITY CONTROL PROGRAM AND BE DESIGNATED AN AISC-CERTIFIED PLANT.
- M. MATERIALS:
 • STRUCTURAL STEEL..... ASTM A992, GRADE 50ksi
 • PLATES, ANGLES, AND MISC STEEL..... ASTM A36ksi
 • ANCHOR RODS..... ASTM F1554, GRADE 36
 • HIGH STRENGTH BOLTS..... ASTM F3125
 • WELDING ELECTRODES..... AWS A5.1 (E70X3)
 • PIPE..... ASTM A53, GRADE B
 • ROUND HSS..... ASTM A500, GRADE B, $F_y = 42$ ksi

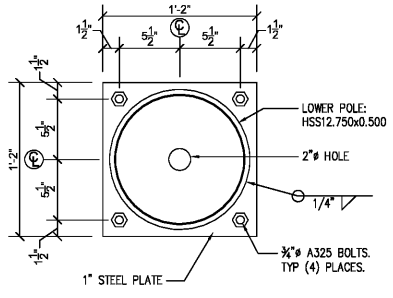
NOTE:
 VERIFY LOCATION PRIOR TO POURING TO ASSURE NO INTERFERENCE WITH ALL UTILITIES



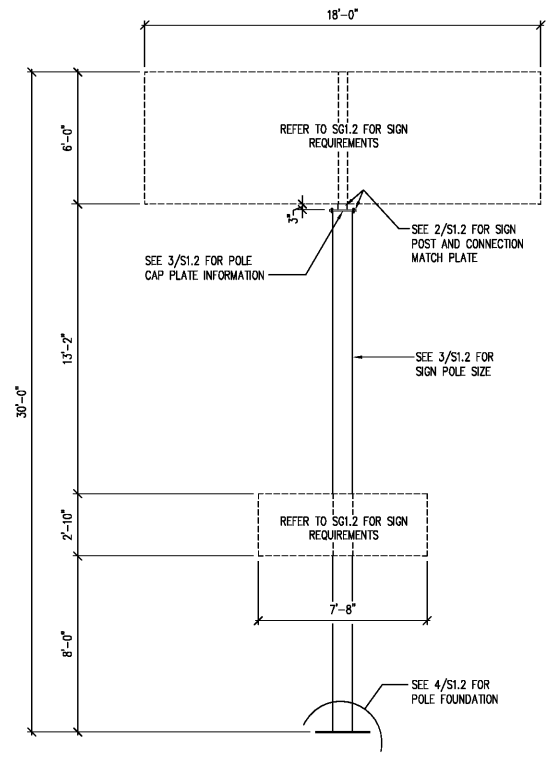
4a POLE FOUNDATION SECTION
 S1.2 SCALE: 3/4" = 1'-0"



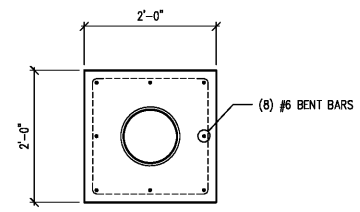
2 SIGN MATCH PLATE
 S1.2 SCALE: 1 1/2" = 1'-0"



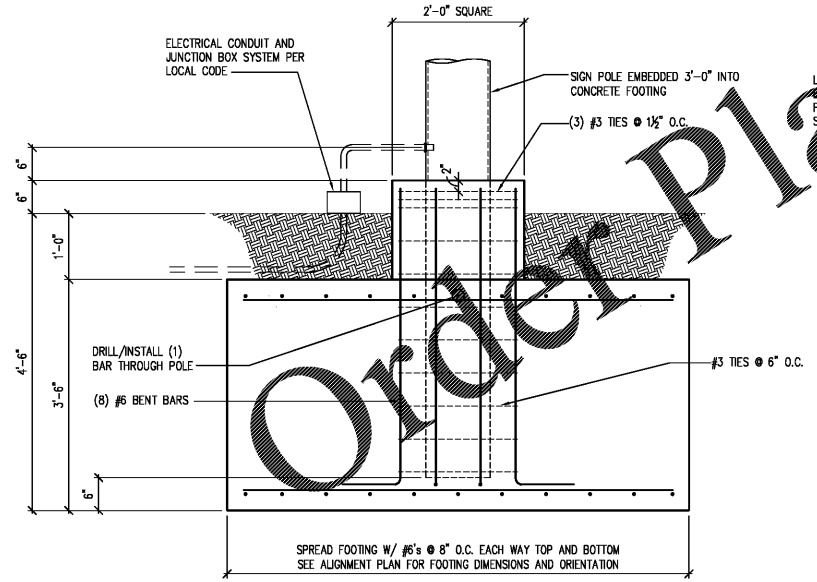
3 POLE CAP PLATE
 S1.2 SCALE: 1 1/2" = 1'-0"



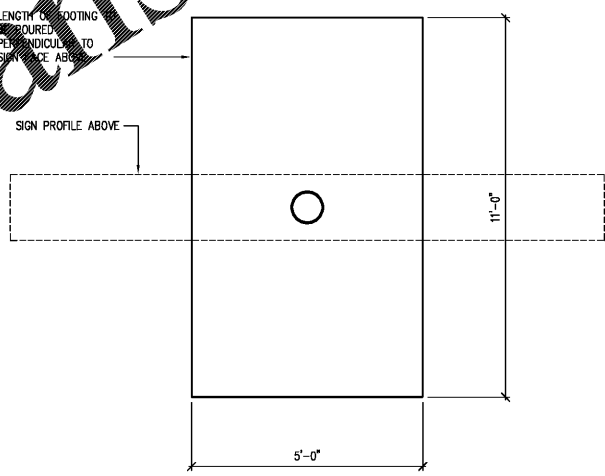
1 GROUND SIGN ELEVATION
 S1.2 SCALE: 1/4" = 1'-0" (SEE SITE PLAN FOR LOCATION)



4b POLE SIGN SHALLOW FOUNDATION ALTERNATE
 S1.2 SCALE: 3/4" = 1'-0"



FOUNDATION SECTION



ALIGNMENT PLAN