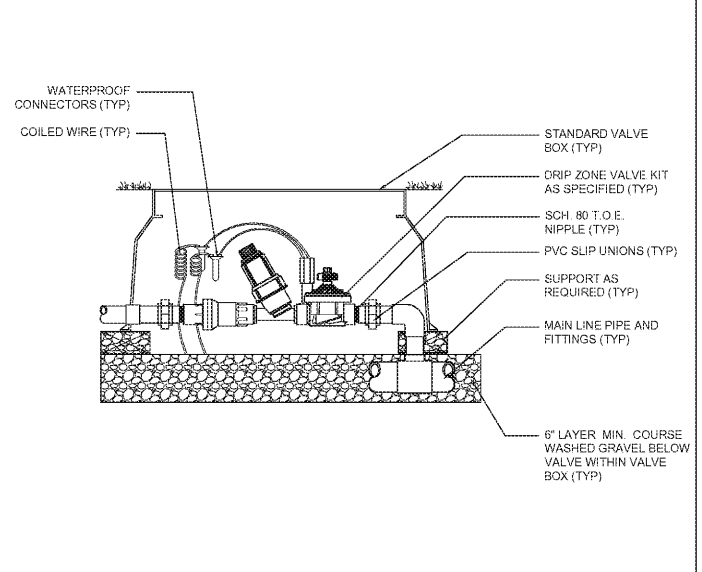
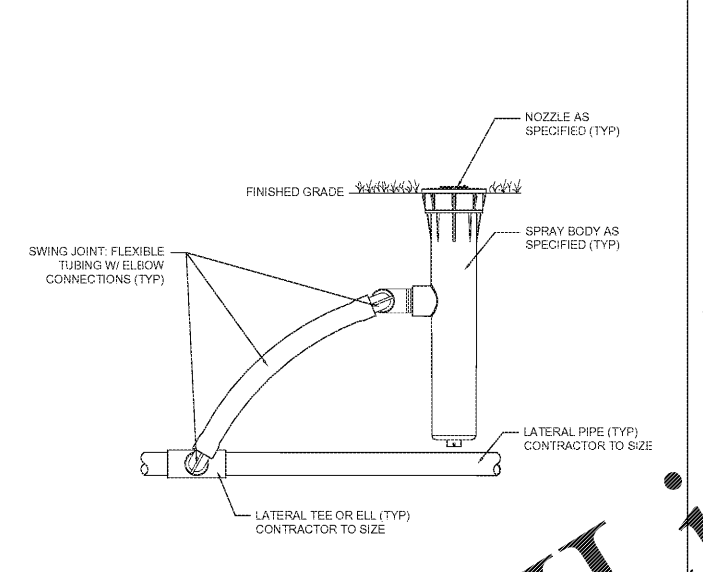


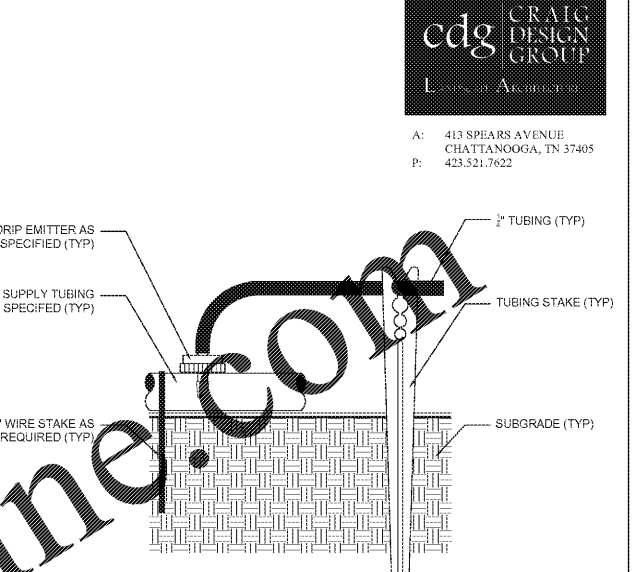
**SPRAY ZONE VALVE BOX/ROUND** SCALE: NTS



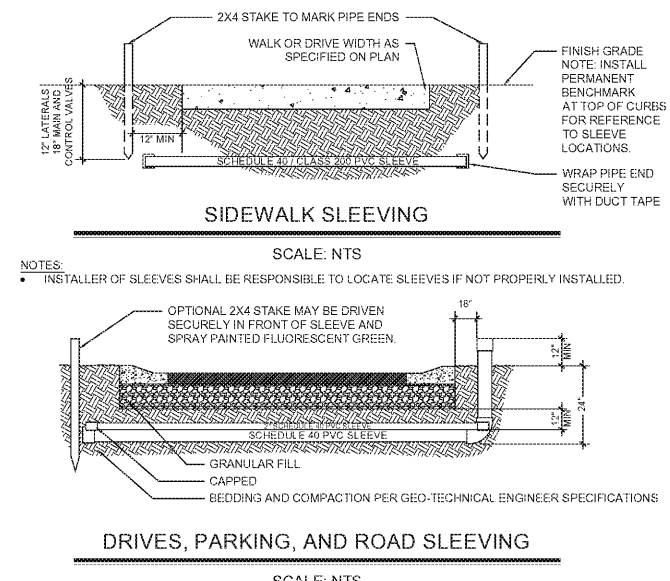
**DRIP ZONE VALVE BOX/ROUND** SCALE: NTS



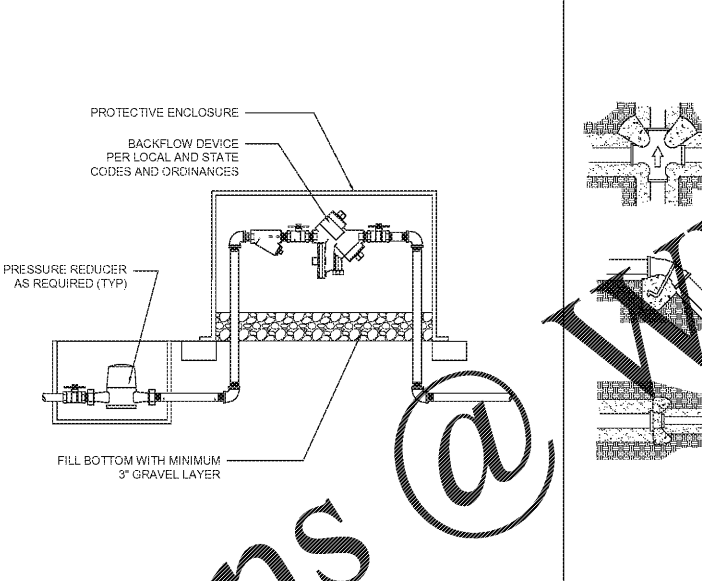
**SPRAY BODY AND NOZZLE** SCALE: NTS



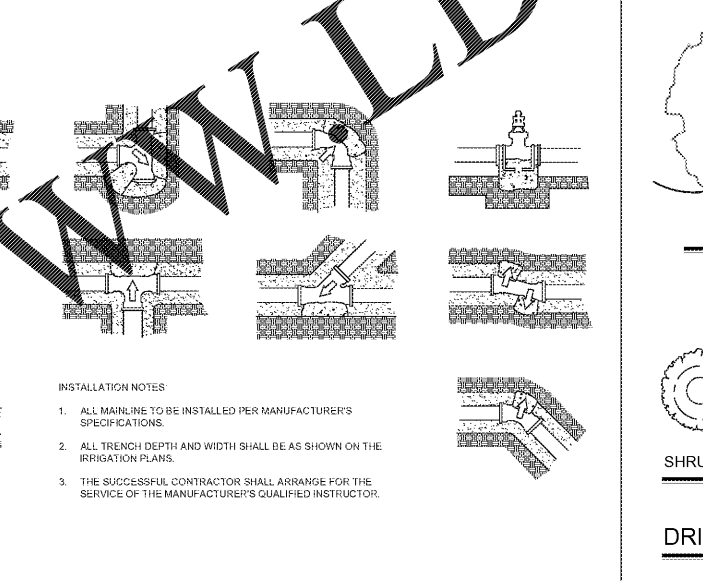
**DRIP EMITTER** SCALE: NTS



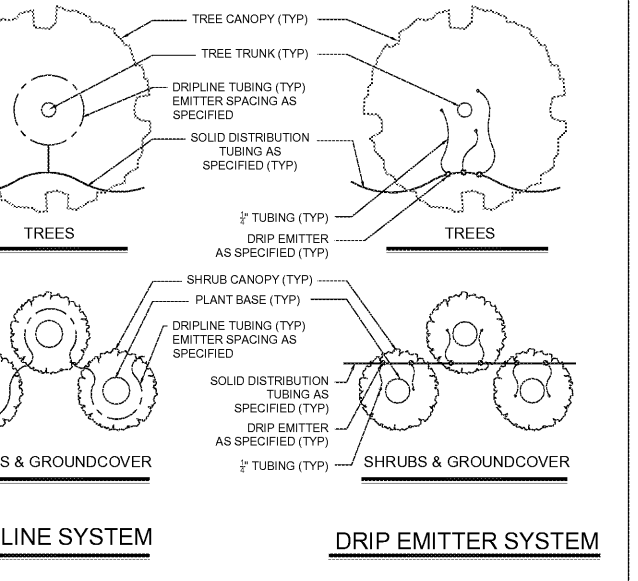
**PAVEMENT SLEEVING** SCALE: NTS



**BACKFLOW PREVENTER** SCALE: NTS



**THRUST BLOCK** SCALE: NTS



**DRIP IRRIGATION LAYOUT** SCALE: NTS

**IRRIGATION NOTES**

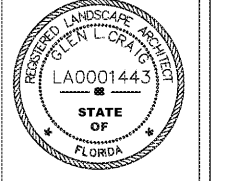
- SYSTEM IS DIAGRAMMATIC FOR GRAPHIC CLARITY. ALL MAINLINE PIPING ELECTRICAL VALVES AND WIRING ARE TO BE INSTALLED IN LANDSCAPE AREAS AND WITHIN PROPERTY BOUNDARIES. CONTRACTOR SHALL REFERENCE THE LANDSCAPE PLAN PRIOR TO THE INSTALLATION OF THE PIPING TO AVOID INTERFERENCE WITH PLANT MATERIALS EXISTING OR NEW.
- IRRIGATION DESIGN IS FROM THE POINT OF CONNECTION (POC) ONLY. THE DESIGN IS BASED ON GALLONS PER MINUTE (GPM) AND POUNDS PER SQUARE INCH (PSI), DESIGNED PER ASSUMED VALUES. CONTRACTOR TO VERIFY LOCATION OF VALVES.
- COORDINATE FINAL LOCATION OF ALL DRIP TUBING, SPRINKLERS, AND NOZZLES SELECTED WITH IMPROVED LANDSCAPE. ALL PIPE AND VALVE LOCATIONS ARE DIAGRAMMATIC, CONTRACTOR SHALL FIELD VERIFY.
- ALL VALVES AND BOXES SHALL BE PLACED, WHERE POSSIBLE, IN PLANTED AREA.
- ALL MAINLINES TO HAVE A MINIMUM OF 12" OF COVER. (SCH 40 PVC PIPE).
- ALL LATERAL AND SUB-MAIN PIPE TO HAVE A MINIMUM OF 6" OF COVER. (CLASS 200 PVC PIPE).
- ALL PIPE TO BE INSTALLED PER MANUFACTURER'S SPECIFICATIONS. ALL THREADED JOINTS TO BE COATED WITH TEFLON TAPE OR LIQUID TEFLON.
- ALL LINES TO BE THOROUGHLY FLUSHED BEFORE INSTALLATION OF SPRINKLER HEADS. SPRINKLER AND RELATED EQUIPMENT TO BE INSTALLED AS PER DETAILS. ALL ELECTRICAL JOINTS TO BE MADE USING WATERPROOF CONNECTORS AS SHOWN ON DETAILS.
- INSTALL ALL PIPING AS FAR FROM TREES AND ROCKS AS POSSIBLE WHILE MAINTAINING THE SPRINKLER AND DRIP TUBE SPACING. ALL CONTROL WIRE SHALL BE OF GAUGE AS NECESSARY TO OPERATE REMOTE CONTROL VALVES, AND SHOULD BE SIZED ACCORDING TO RUNS.
- NO ROCKS, BOULDER, OR OTHER EXTRANEIOUS MATERIALS TO BE USED IN BACKFILLING OF TRENCH.
- ALL ROTORS AND SPRAY POP-UPS SHALL BE INSTALLED ON SWING PIPE OR SWING JOINT ASSEMBLY. ALL SWING PIPE ASSEMBLIES MINIMUM LENGTH TO BE 12" AND MAXIMUM LENGTH TO BE 24".
- ALL REMOTE CONTROL VALVES SHALL BE LOCATED IN VALVE BOXES OF APPROPRIATE SIZE, FLUSH WITH GRADE.
- ALL WIRE SPLICES OR CONNECTIONS SHALL BE MADE WITH WATERPROOF WIRE CONNECTIONS AND BE IN VALVE OR SPLICE BOXES. ALL CONTROL WIRING DOWNSTREAM OF THE CONTROLLER IS TO BE UL APPROVED FOR DIRECT BURY.
- NO ELECTRICAL CONNECTIONS SHALL BE MADE IN THE FIELD EXCEPT AT A VALVE CONTROL BOX OR ANOTHER VALVE BOX SPECIFICALLY FOR CONNECTIONS.
- CONTRACTOR SHALL PROVIDE EXPANSION COILS AT EACH WIRE CONNECTION IN VALVE BOX (WRAP AROUND 3/4" PIPE 12 TIMES).
- WIRE SHALL BE COLORED CODED; COMMON-- WHITE, CONTROL--RED, OR MULTI-STRAND.
- CONTRACTOR SHALL VERIFY THAT ALL MANUFACTURERS' RECOMMENDED GROUND FAULT AND LIGHTNING PROTECTION IS INSTALLED.
- ALL MATERIAL TO BE SUPPLIED BY CONTRACTOR TO OWNER:
  - TWO WRENCHES FOR DISASSEMBLING AND ADJUSTING EACH TYPE OF SPRINKLER HEAD AND VALVE SUPPLIED.
  - TWO KEYS FOR EACH OF THE AUTOMATIC CONTROLLERS.
  - TWO QUICK COUPLER KEYS WITH MATCHING HOSE SHWELS.
- ALL ABOVE GROUND WIRING, INSIDE AND OUTSIDE OF BUILDING, SHALL BE INSTALLED IN RIGID METALLIC CONDUIT FOR PROTECTION.
- IRRIGATION PIPE THAT CROSSES UNDER THE CONCRETE OR ASPHALT IN EXCESS OF 4' SHALL BE PLACED IN RIGID SLEEVING 2 TIMES THE PIPE'S OUTSIDE DIAMETER.
- FLOW PATTERN AND DISTANCE OF SPRAY SHALL BE REGULATED WITH THE USE OF ADJUSTMENT SCREW(S) TO MINIMIZE OVERTHROW ONTO PAVED AREAS, HOWEVER, RADIUS SHALL NOT BE REDUCED MORE THAN MANUFACTURER AVAILABLE RANGE OR ALLOWED TO CAUSE LACK OF COVERAGE.
- CONTRACTOR SHALL INSTALL SPRINKLER EQUIPMENT 12" FROM FOUNDATIONS. ALSO INSTALL SPRINKLERS 4" FROM CURB OR WALKS.
- CONTRACTOR TO BE RESPONSIBLE FOR PROPER COVERAGE OF AREAS TO BE WATERED. I.E. ADJUST HEADS WITH INSUFFICIENT COVERAGE DUE TO BLOCKAGE BY EXISTING OR PROPOSED SITE FEATURES.
- CONTRACTOR TO REFER TO LANDSCAPE PLAN TO KEEP SPRINKLER EQUIPMENT AND ACCESSORY MATERIAL FROM INTERFERING WITH PROPER PLANTINGS.
- CONTRACTOR TO UTILIZE APPROPRIATE AUTOMATIC DRAIN DEVICE WHERE LOW HEAD DRAINAGE MAY OCCUR. ALL SPRINKLERS TO BE MOUNTED ON SWING JOINTS -- REFER TO DETAILS. CONTRACTOR SHALL UTILIZE VALVE I.D. TAGS ON ALL REMOTE CONTROL VALVES.
- CONTRACTOR TO ADD EXTENSION RISER TO POP-UP HEADS WHEN NEEDED FOR PROPER COVERAGE (HEAD-TO-HEAD).
- IN-LINE DRIP TUBING TO BE INSTALLED 6" FROM ALL MASONRY WALLS, PLANTER SIDEWALLS, AND CURBING, ON 18" CENTER TO CENTER ROW SPACING.
- FLUSH ALL LATERAL LINES BEFORE INSTALLING IN-LINE DRIP TUBING OR SPRINKLERS.
- STAKE IN-LINE DRIP TUBING AT MINIMUM 5 FOOT INTERVALS TO PREVENT MOVEMENT.
- IN-LINE DRIP TUBING TO BE INSTALLED 4" BELOW GRADE UNDER MULCH. NO DRIPPER LINE TUBING SHALL BE VISIBLE TO THE NAKED EYE. INSTALL AUTOMATIC FLUSH PORTS AT LOWEST POINT OF PVC EXHAUST HEADER, GENERALLY WHERE SHOWN ON THE DRAWINGS.
- INSTALL AIR VACUUM/RELIEF VALVES AT HIGH POINT OF IN-LINE DRIP TUBING, GENERALLY WHERE SHOWN ON THE DRAWINGS.
- SPRINKLERS FOR TURF SHALL HAVE 6" POP UP HEIGHT. ALL OTHER HEAD HEIGHTS AS REQUIRED FOR EVEN COVERAGE.
- CONTRACTOR SHALL TEST THE PRESSURE BEFORE STARTING THE WORK, REPORT ANY DEVIATION FROM PRESSURE REQUIRED TO OWNER'S REPRESENTATIVE BEFORE CONTINUING.
- INSTALL CONTROLLERS IN MECHANICAL ROOM, OR AS NOTED ON PLANS, AS DIRECTED BY OWNERS REPRESENTATIVE. HARD WIRE TO 120 VOLT DEDICATED 20 AMP CIRCUIT, BUILDING POWER SUPPLY BY USING LICENSED ELECTRICIAN. ROUTE ALL ZONE AND SPARE WIRES TO CONTROLLER VIA CONDUITS.
- INSTALL RAIN SENSORS ON OUTSIDE OF BUILDING WALL WHERE DIRECTED BY OWNERS REPRESENTATIVE OR PER PLAN. USE WIRELESS SYSTEM OR AS SPECIFIED ON PLANS.
- NO ALLOWANCES MADE FOR OBSTRUCTIONS NOT SHOWN ON PLAN. ALL NECESSARY FIELD ADJUSTMENTS TO BE MADE BY THE CONTRACTOR.
- CHANGES ARE NOT PERMITTED TO THE IRRIGATION PLAN OR MATERIALS WITHOUT CONSENT OF LANDSCAPE ARCHITECT.
- BIDDING CONTRACTORS SHOULD BECOME THOROUGHLY FAMILIAR WITH ALL FACETS OF THE PROPOSED IRRIGATION SYSTEM.
- PRIOR TO BID, IRRIGATION CONTRACTOR SHALL VERIFY RIGHT-OF-WAY AND BACKFLOW REQUIREMENTS NO LATER THAN 5 DAYS BEFORE THE BID SUBMITTALS CONTRACTOR SHALL NOTIFY LANDSCAPE ARCHITECT OF ANY CHANGES FROM PLANS OR SPECIFICATIONS.
- CONTRACTOR MUST SUBMIT SHOP DRAWINGS AS PER THE WRITTEN SPECIFICATIONS TO THE LANDSCAPE ARCHITECT FOR APPROVAL PRIOR TO ORDERING MATERIAL AND BEGINNING WORK. ALL EQUIPMENT NOT SPECIFIED IN THE LEGEND SHALL BE DETERMINED AND FURNISHED BY THE CONTRACTOR.
- ALL MATERIAL SUBSTITUTIONS WHICH VARY FROM THE SPECIFIED PRODUCTS MUST BE SUBMITTED TO THE LANDSCAPE ARCHITECT FOR APPROVAL AS PART OF THE SUBMITTAL PROCESS.
- ONCE APPROVED SUBMITTALS HAVE BEEN RETURNED TO THE CONTRACTOR, WORK MAY BEGIN. THE LANDSCAPE ARCHITECT MUST BE NOTIFIED A MINIMUM OF 7-WORKING DAYS IN ADVANCE OF INSTALLATION TO COORDINATE ON-SITE SUPERVISION AND ADMINISTRATION.
- IRRIGATION CONTRACTOR SHALL PROVIDE THE OWNER AND THE LANDSCAPE ARCHITECT WITH AS-BUILT DRAWING OF THE INSTALLED IRRIGATION SYSTEM BEFORE FINAL ACCEPTANCE.
- A 1-YEAR WARRANTY PERIOD SHALL BE PROVIDED FOR SYSTEM AFTER SUBSTANTIAL COMPLETION IS ACCEPTED.
- PRIOR TO BID, CONTRACTOR SHALL VERIFY THAT ALL MATERIALS, INSTALLATION PARAMETERS AND OPERATIONS CONFORM TO ALL APPLICABLE CODES AND ORDINANCES. NO LATER THAN FIVE DAYS BEFORE BID SUBMITTALS CONTRACTOR SHALL NOTIFY LANDSCAPE ARCHITECT/DESIGNER OF ANY CHANGES REQUIRED DUE TO CURRENT CODE OR ORDINANCE DISCREPANCIES. IF CONTRACTOR DOES NOT COMPLY TO THIS NOTIFICATION, THE CONTRACTOR SHALL BE RESPONSIBLE FOR ALL NECESSARY INSTALLATION CHANGE AND REDSIGN COST FOR NON-COMPLIANCE.
- IRRIGATION CONTRACTOR WILL ARRANGE INSPECTIONS REQUIRED BY LOCAL AGENCIES AND ORDINANCES DURING THE COURSE OF CONSTRUCTION AS REQUIRED. ALL WIRING TO BE PER LOCAL CODE. BACKFLOW PREVENTION ALSO TO BE AS PER LOCAL CODE.
- IRRIGATION CONTRACTOR TO BE RESPONSIBLE FOR FIRST TIME BACKFLOW TESTING AS REQUIRED BY LOCAL MUNICIPALITIES AND/OR LOCAL CODES.
- ANY DISCREPANCY BETWEEN THIS SHEET AND OTHER IN THIS SET MUST BE REFERRED TO THE LANDSCAPE ARCHITECT BY THE CONTRACTOR FOR CLARIFICATION BEFORE PROCEEDING WITH THE

**cdg CRAIG DESIGN GROUP**  
 A: 413 SPEARS AVENUE  
 CHATTANOOGA, TN 37405  
 P: 423.521.7622

**BERRY ENGINEERS LLC**  
 3555 KEITH ST NW, SUITE 109  
 CLEVELAND, TN 37312  
 TEL: (423) 790-5880  
 CERTIFICATE OF AUTHORIZATION #03885

**BELTERRA PARTNERS**  
 728 SHADES CREEK PKWY  
 SUITE 130  
 BIRMINGHAM, AL 35209

**O'REILLY AUTO PARTS**  
 SW HWY 484  
 OCALA, FL



REVISIONS	
1	
2	
3	
4	
5	
6	
7	
8	
9	
10	

SHEET NAME:  
**IRRIGATION DETAILS**

DATE: 5/04/2020

DRAWN BY: KEP

CHECKED BY: GLC

PROJECT NO.: 19078

SHEET NUMBER:  
**L-04**