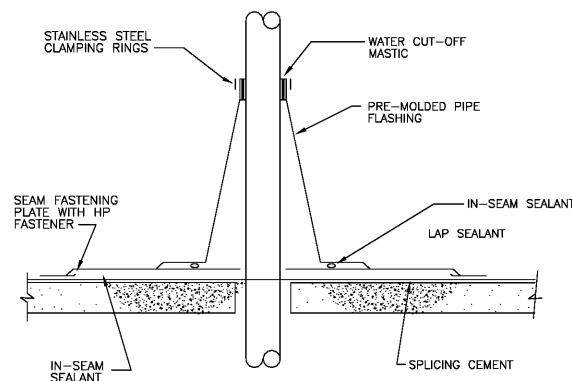
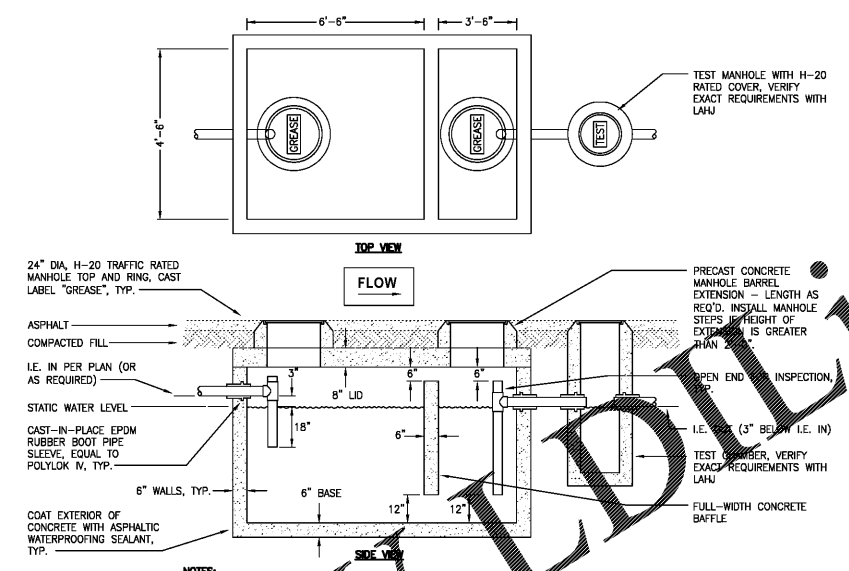


1 GENERAL PIPING HANGERS
P-5.1 SCALE: NONE

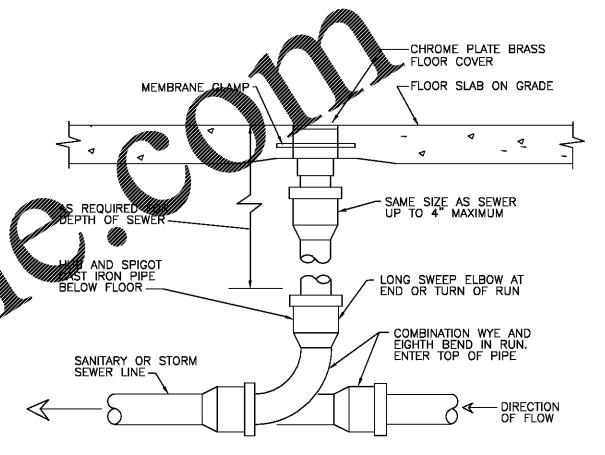


2 VENT THRU ROOF
P-5.1 SCALE: NONE



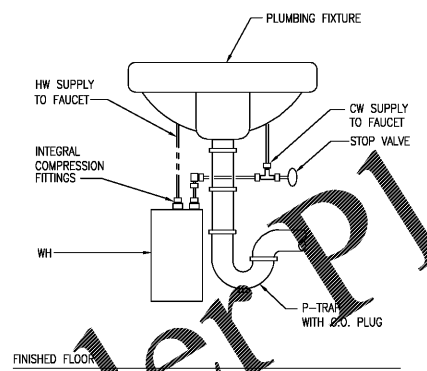
- NOTES:**
1. PRECAST REINFORCED CONCRETE TANK, 5000 PSI @ 28 DAYS, STEEL REINFORCED PER ASTM A 615, 1,500 GALLON WATER CAPACITY, AND STATIC LINE. UNITS SHALL BE DESIGNED BY A STRUCTURAL ENGINEER REGISTERED IN THE STATE OF INSTALLATION FOR H-20 TRAFFIC LOADING.
 2. BASE AND WALLS SHALL BE MONOLITHIC. TOP SHALL BE MONOLITHIC.
 3. PIPE AND FITTINGS SHALL BE OF APPLICABLE MATERIALS.
 4. SEAL ALL JOINTS WITH RUBBER MASTIC, ASTM C 900.
- BASIS OF DESIGN: BARTON MALCOLM CAST MODEL 111-01534

3 GREASE TRAP
P-5.1 SCALE: NONE

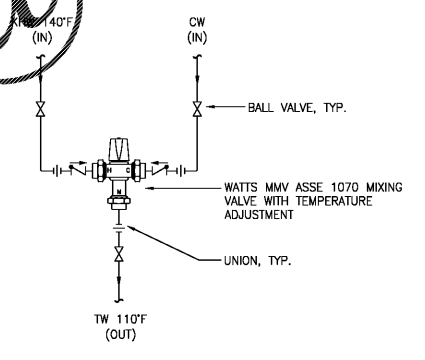


LOCATE AT BUILDING EXIT, AT ENDS OF RUNS, AT TURNS OF PIPE GREATER THAN 45 DEGREES, AT 50' INTERVALS ON STRAIGHT RUNS, AND WHERE SHOWN ON PLANS. PROVIDE BACKFILL PER ARCHITECTURAL SPECIFICATIONS. CONSULT LOCAL CODES FOR OTHER FCO REQUIREMENTS.

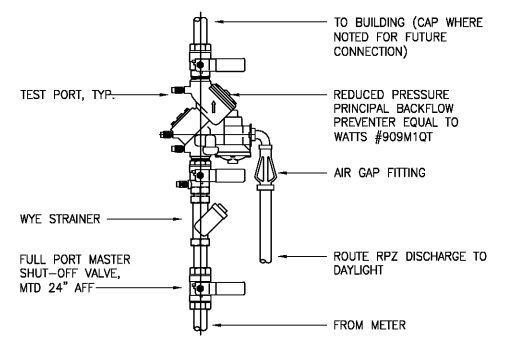
4 FLOOR CLEANOUT
P-5.1 SCALE: NONE



5 WATER HEATER DETAIL (UNDER SINK)
SCALE: NONE



6 THERMOSTATIC MIXING VALVE
P-5.1 SCALE: NONE



- NOTES:**
1. PROVIDE PRESSURE REDUCING VALVE WHERE SERVICE EXCEEDS 75 PSI.
 2. MOUNT RPZ 36-48\"/>

7 RPZ BACKFLOW PREVENTER
P-5.1 SCALE: NONE

Order Plans @ WWW.LDLine.com



DATE 06/16/20	REVISIONS 1 2 3 4 5 6 7 8 9 10 11 12 13 14 15 16 17 18 19 20 21 22 23 24 25 26 27 28 29 30 31 32 33 34 35 36 37 38 39 40 41 42 43 44 45 46 47 48 49 50 51 52 53 54 55 56 57 58 59 60 61 62 63 64 65 66 67 68 69 70 71 72 73 74 75 76 77 78 79 80 81 82 83 84 85 86 87 88 89 90 91 92 93 94 95 96 97 98 99 100	DRAWING NO. P-5.1 DATE 06/16/20	DRAWN BY WJM CHECKED BY WJM DATE 06/16/20	PROJECT NO. PROJECT NAME PLUMBING DETAILS WILD WOLF-COMMERCIAL DEVELOPMENT BOYD MORRIS ROAD & GA HWY 293 SPUR BARTOW COUNTY, GEORGIA 30120	engineering consultant BLACKWATER CONSTRUCTION 2100 SHELLEY BLVD - SUITE 400 - DULUTH, GEORGIA 30097 PHONE: 404-546-3500 FAX: 404-546-3505 E-MAIL: info@blackwater.com WWW.BLACKWATER.COM	general contractor engineering consultant Bay Group Consulting Engineers, Inc. 1927 Powers Ferry Road Building 20, Suite 100 Atlanta, Georgia 30339 Phone: (770) 957-9533
------------------	---	--	--	---	---	---