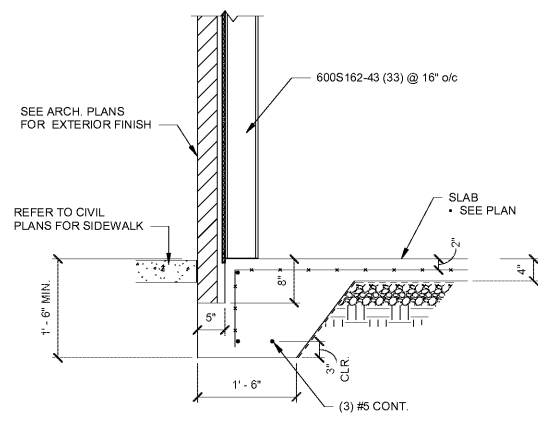
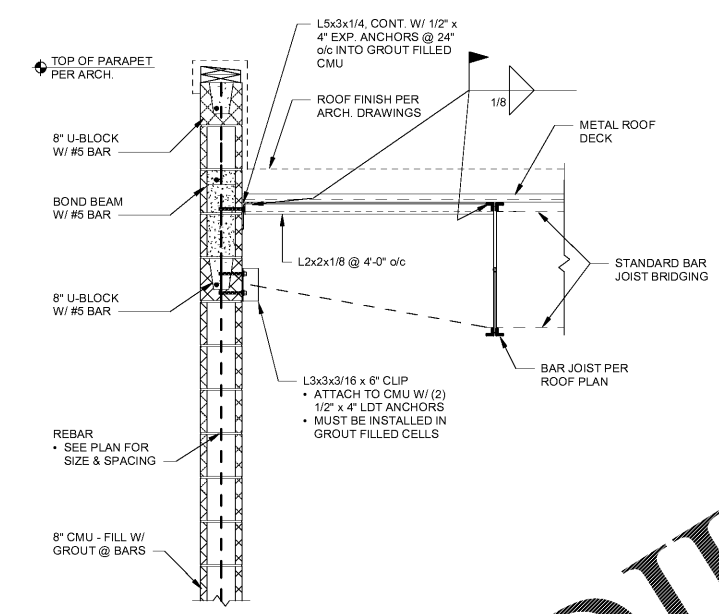


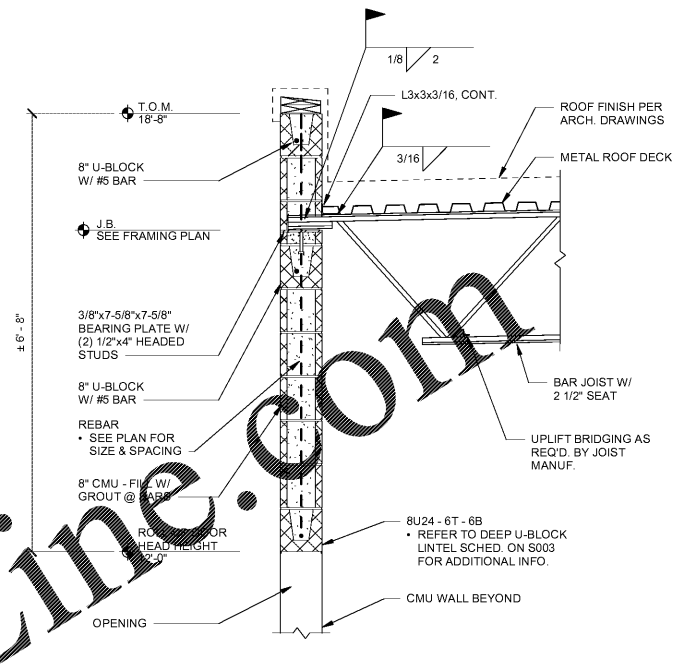
**1 CMU FOOTING Copy 1**  
S301 3/4" = 1'-0"



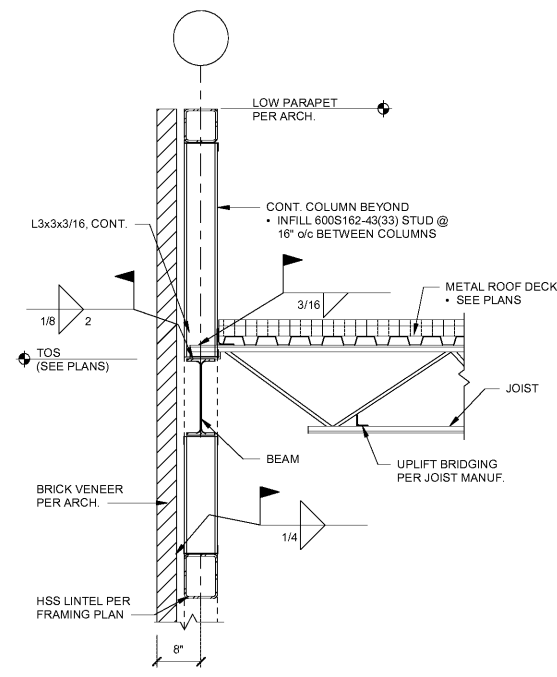
**2 TURNDOWN SLAB Copy 1**  
S301 3/4" = 1'-0"



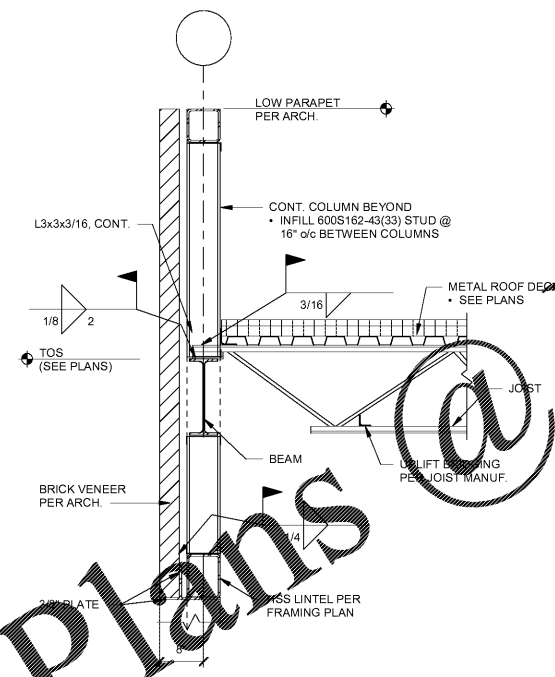
**3 BAR JOIST ON CMU - RAKE w/ PARAPET**  
S301 3/4" = 1'-0"



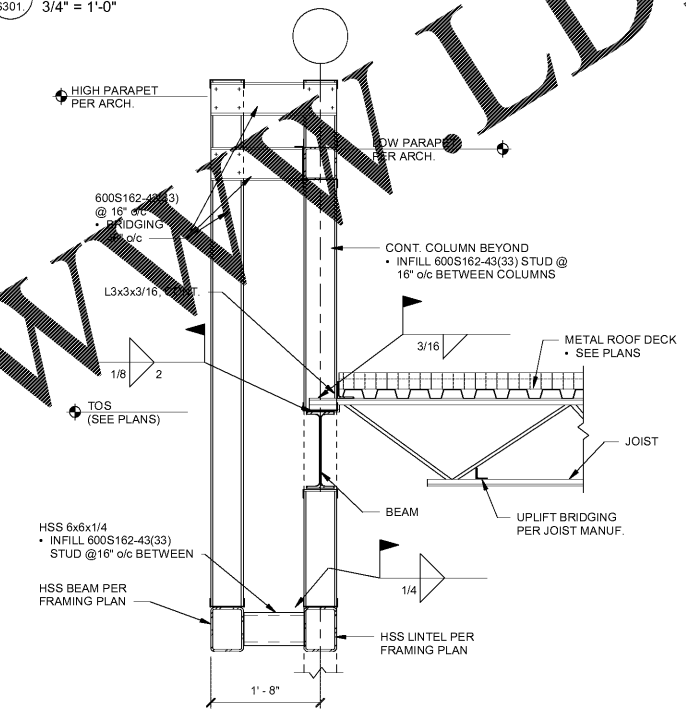
**4 BAR JOIST ON CMU - LOW EAVE w/ PARAPET**  
S301 3/4" = 1'-0"



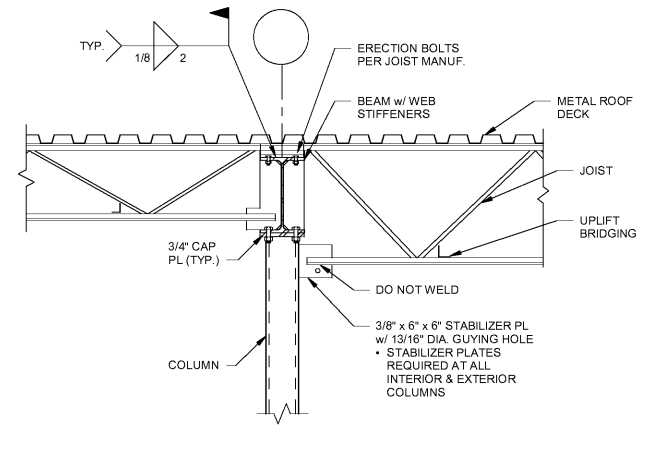
**5 DETAIL AT ROOF EAVE**  
S301 3/4" = 1'-0"



**6 DETAIL AT ROOF EAVE**  
S301 3/4" = 1'-0"



**7 DETAIL AT ROOF EAVE**  
S301 3/4" = 1'-0"



**8 BAR JOIST AT COLUMN**  
S301 3/4" = 1'-0"

Order Plans @ [www.LDILine.com](http://www.LDILine.com)

NO.	DATE

engineering consultant  
 5077 Dallas Hwy, Suite 201  
 Powder Springs, GA 30127  
 (404) 465-4889  
 www.mhstructures.com

general contractor  
**MH STRUCTURES**  
 Integrity is our foundation.  
 BLACKWATER CONSTRUCTION  
 2185 SATELLITE BLVD. SUITE 400 - DUBLIN, GA 30144  
 (404) 994-1350



ISSUED DATE: 5/15/20

RETAIL SUITES OFFICE SPACE  
 BOYD MORRIS ROAD & GA HWY 298 SPUR  
 BARTOW COUNTY, GA

0612001  
 S301  
 3/4" = 1'-0"  
 5/15/20

**S301.**