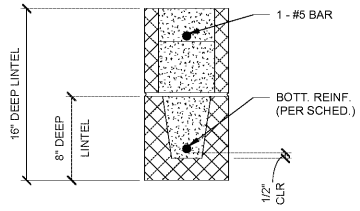
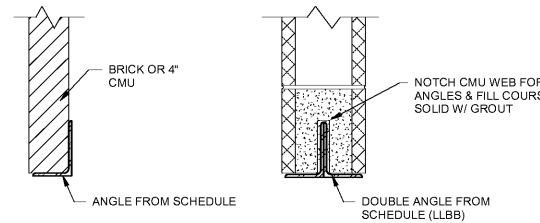


U-BLOCK LINTEL SCHEDULE						
MAX. SPAN	6" LIGHT WEIGHT BLOCK		8" LIGHT WEIGHT BLOCK		12" LIGHT WEIGHT BLOCK	
	LINTEL DEPTH	BOTT. REINF.	LINTEL DEPTH	BOTT. REINF.	LINTEL DEPTH	BOTT. REINF.
4'-0"	8"	1-#4	8"	1-#4	8"	1-#4
6'-0"	8"	1-#6	8"	1-#6	8"	1-#6
8'-0"	8"	1-#6	8"	1-#6	8"	1-#6
10'-0"	16"	1-#6	16"	1-#6	16"	2-#5
12'-0"	16"	1-#6	16"	1-#6	16"	2-#5

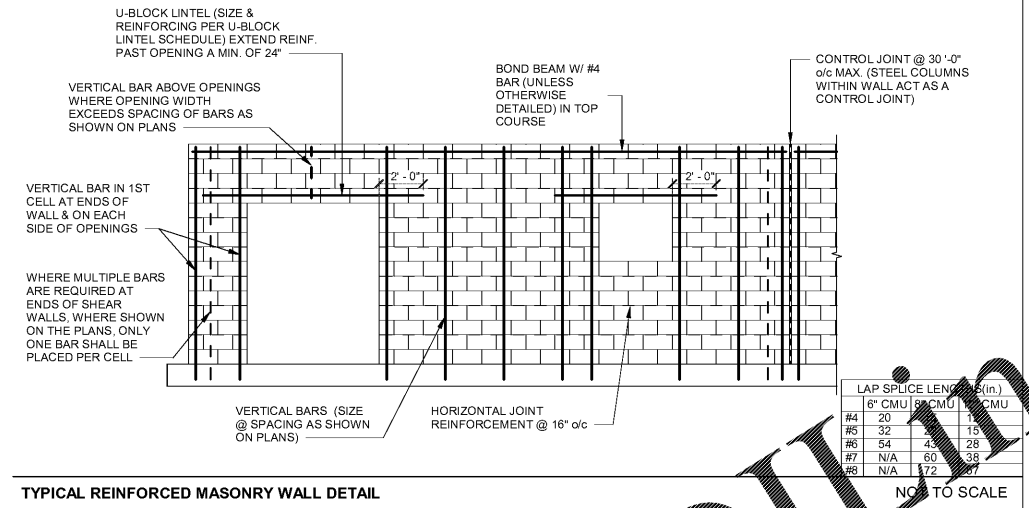


NOTES:
a. U-BLOCK LINTEL SCHEDULE SHALL BE USED UNLESS OTHERWISE NOTED ON THE PLANS.
b. 8" MINIMUM BEARING IS REQUIRED. WHERE MINIMUM BEARING CAN NOT BE ACHIEVED DUE TO THE INTERFERENCE OF A STEEL COLUMN, USE THE STEEL ANGLE LINTEL SCHEDULE AND WELD THE ANGLES TO THE COLUMN AS NOTED.
c. BLOCK SHALL BE LAID IN RUNNING BOND.
d. CONCRETE BLOCK UNITS MUST COMPLY WITH ASTM C 90, LIGHT WEIGHT. UNIT COMPRESSIVE STRENGTH SHALL BE 1900 PSI MINIMUM.
e. FILL BEARING CELLS OF BLOCK W/ GROUT DOWN TO FOOTING.
f. LINTEL SHALL BE FILLED SOLID W/ 2000 PSI GROUT.
g. REINFORCING BARS SHALL BE ASTM 615 GRADE 60.
h. MORTAR SHALL BE TYPE "S".
i. WHERE VERTICAL CONTROL JOINT OR EXPANSION JOINT IS ON EITHER SIDE OF OPENING, IF HEIGHT OF WALL EXCEEDS 6'-0" ABOVE LINTEL, NOTIFY ENGINEER.
j. CAST-CRETE PRECAST U-LINTELS (UNFILLED) MAY BE USED FOR ALL SPANS UP TO 8'-0" IN PLACE OF CONVENTIONAL U-BLOCK LINTELS, PENDING THE APPROVAL OF THE OWNER FOR AESTHETICS.

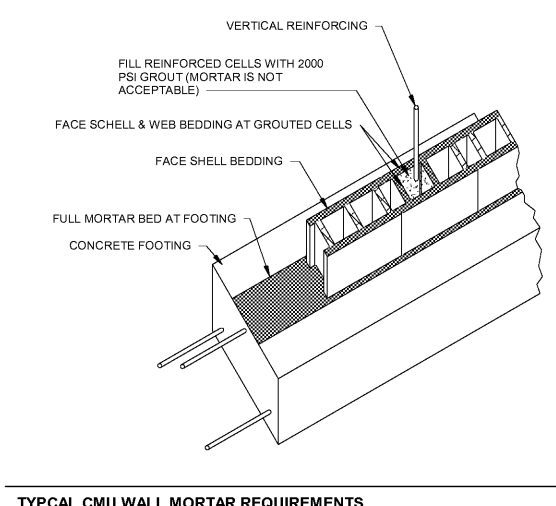
STEEL ANGLE LINTEL SCHEDULE				
MAX SPAN	PER 4" THICKNESS BRICK OR BLOCK	6" LIGHT WEIGHT BLOCK	8" LIGHT WEIGHT BLOCK	12" LIGHT WEIGHT BLOCK
5'-0"	L 3-1/2 x 3-1/2 x 1/4	2L 3-1/2 x 2-1/2 x 1/4	2L 4 x 3-1/2 x 1/4	2L 5 x 5 x 5/16
6'-0"	L 5 x 3-1/2 x 1/4	2L 3-1/2 x 2-1/2 x 1/4	2L 4 x 3-1/2 x 1/4	2L 5 x 5 x 9/16
7'-0"	L 6 x 3-1/2 x 5/16	2L 3-1/2 x 2-1/2 x 3/8	2L 4 x 3-1/2 x 1/4	2L 5 x 5 x 5/16
8'-0"	L 6 x 3-1/2 x 5/16	2L 3-1/2 x 2-1/2 x 3/8	2L 5 x 3-1/2 x 1/4	2L 5 x 5 x 5/16
9'-0"	L 6 x 3-1/2 x 3/8	2L 4 x 4 x 3/8	2L 5 x 3-1/2 x 1/4	2L 5 x 5 x 3/8
10'-0"	L 7 x 4 x 3/8	2L 5 x 3-1/2 x 1/4	2L 5 x 3-1/2 x 3/8	N/A



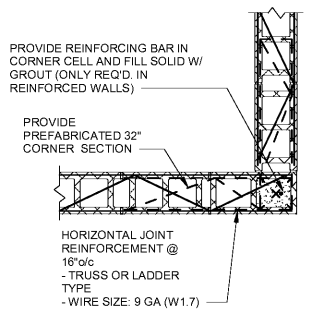
NOTES:
a. STEEL ANGLE LINTEL SCHEDULE SHALL BE USED, UNLESS OTHERWISE NOTED ON THE PLANS, FOR ALL BRICK OPENINGS AND MAY BE USED FOR CMU IN-LIEU OF A STANDARD U-BLOCK LINTEL.
b. ALL UNEQUAL LEG ANGLES SHALL HAVE LONG LEG VERTICAL.
c. ANGLES SHALL BE ASTM A36.
d. 8" MINIMUM BEARING IS REQUIRED ON EACH END. WHERE AT LEAST 8" BEARING CAN NOT BE ACHIEVED DUE TO A STEEL COLUMN, WELD THE VERTICAL LEG OF EACH ANGLE TO THE COLUMN WITH A 3/16" FILLET WELD.
e. FILL BEARING CELLS OF BLOCK W/ GROUT DOWN TO FOOTING.
f. WHERE VERTICAL CONTROL JOINT OR EXPANSION JOINT IS ON EITHER SIDE OF OPENING, IF HEIGHT OF WALL EXCEEDS 6'-0" ABOVE LINTEL, NOTIFY ENGINEER.



TYPICAL REINFORCED MASONRY WALL DETAIL

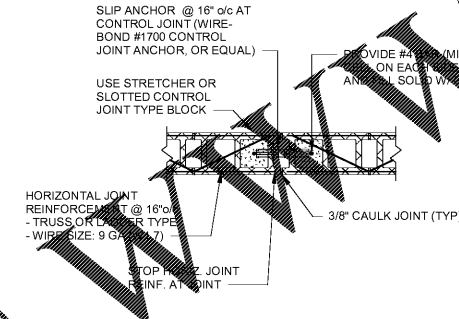


TYPICAL CMU WALL MORTAR REQUIREMENTS



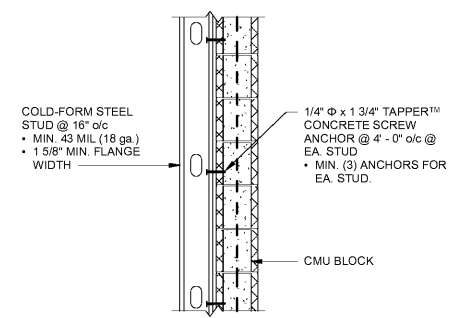
NOTE:
a. WHERE BOND BEAMS ARE IN WALLS, PROVIDE CORNER BARS TO LAP WITH BOND BEAM BARS.

TYPICAL MASONRY WALL CORNER

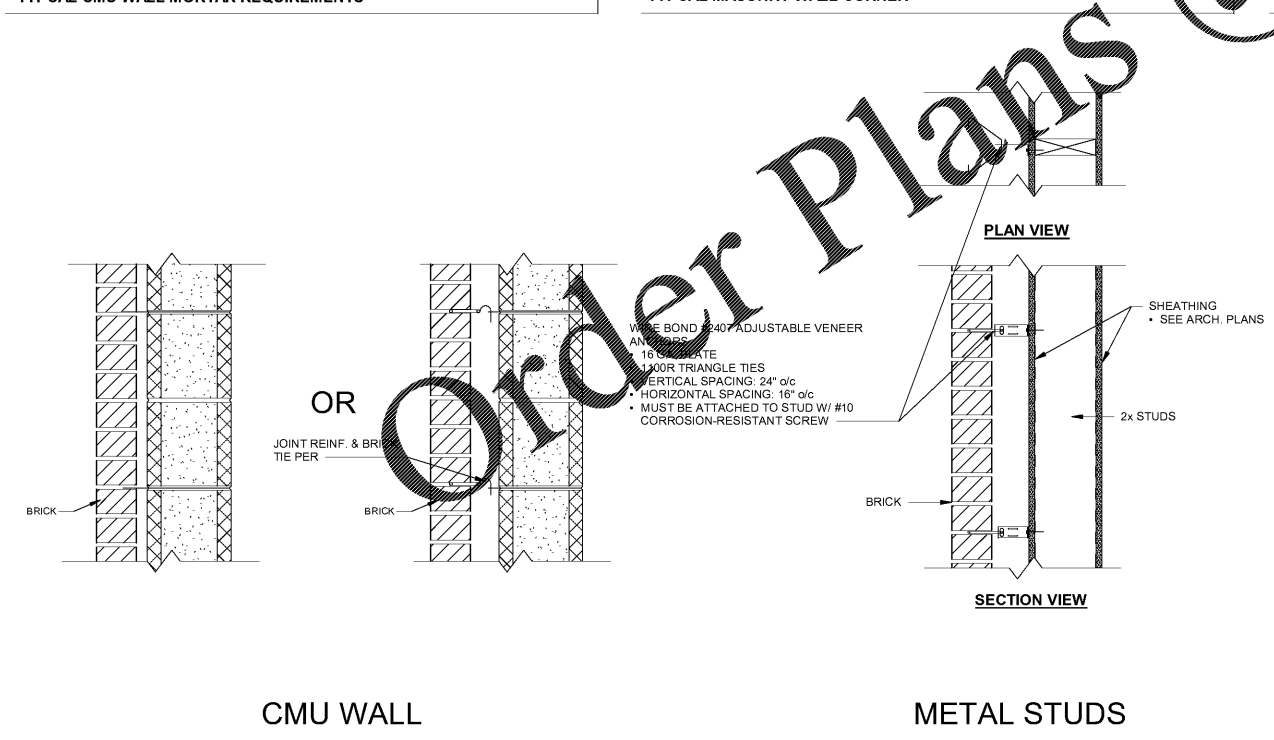


NOTES:
a. MAXIMUM CONTROL JOINT SPACING: 30'-0" IN REINFORCED WALL, & 25'-0" IN UNREINFORCED WALL.
b. CONTROL JOINTS MUST BE LOCATED A MINIMUM OF 2'-0" FROM EDGES OF OPENINGS.

TYPICAL MASONRY WALL CONTROL JOINT



TYPICAL COLD-FORMED METAL STUD TO CMU WALL ATTACHMENT
3/4" = 1'-0"



CMU WALL

METAL STUDS

BRICK ANCHORAGE
1 1/2" = 1'-0"

Order Plans @

WWW.LDILLINE.COM

engineering consultant
5077 Dallas Hwy, Suite 201
Powder Springs, GA 30127
(404) 465-4889
www.mhstructures.com

general contractor
BLACKWATER CONSTRUCTION
2185 SATELLITE BLVD - SUITE 400 - DUBLIN, GA 31024
(404) 924-1200

ISSUED DATE: 5/15/20

RETAIL SUITES OFFICE SPACE
BOYD MORRIS ROAD & GA HWY 298 SPUR
BARTOW COUNTY, GA

0612001
S004
5/15/20