

QUICK FRAMES

THE FASTER, SAFER, EASIER,

- WHY ARE WE DIFFERENT?**
- NO welding and NO cutting
 - JUST-IN-TIME** delivery (even overnight for emergencies)
 - ADJUSTABLE** to support 4' to 10' joist spans with 15" to 36" openings
 - QUICK** and **EASY** installation - even after the deck is installed

- APPLICATIONS**
- Commercial buildings
 - Pre-engineered buildings
 - New construction
 - Terrace improvement
 - Panelized wood roof systems

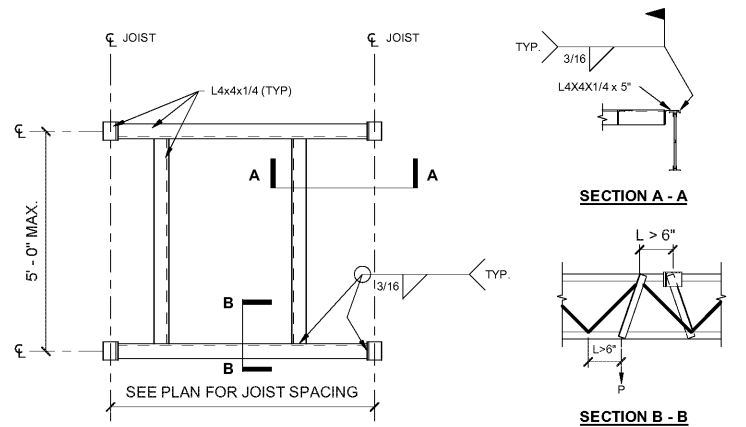
- INSTALLATION**
- Tools: 3/4" wrench or a cordless impact driver (recommended)
 - Typical installation: 10 - 30 minutes

- FRAME LOAD CAPACITY**
- Quickframes are pre-engineered for most applications. **Site-specific** engineering is included as needed.

MECHANICAL LOAD CAPACITY (lbs)								
SPAN	4'	5'	6'	7'	8'	9'	10'	12'
10 Ga	Call-Site Specific	Call-Site Specific	Call-Site Specific	Call-Site Specific	Call-Site Specific	Call-Site Specific	Call-Site Specific	Call-Site Specific
12 Ga	4300	4113	4125	3475	3338	3658	3073	
16 Ga	3118	1060	1043	1000	960	175	288	

*Based on a 4' opening between the main rails, using two angle connectors per junction of main and cross rails. Per IBC Section 1607.6.2, at frames supporting light machinery (shaft or motor driven), the maximum frame loads shown have been reduced by 20%. Also, an industry standard unbalancing mechanical loading of 2/3 and 1/3 is included. Maximum loads shown are for the Quickframes adjustable frame only. Building roof structure framing capacity (existing or new) shall be verified by a registered structural engineer to ensure proper loading.

READY TO GO, EVEN IF YOUR ROOF ISN'T



NOTE: WHEN "L" IS GREATER THAN 6", ADD A L2x2x1/8 TO THE NEAREST PANEL POINT ON THE OPPOSITE CHORD FROM THE LOAD (FOR LOADS APPLIED TO EITHER THE TOP OR BOTTOM CHORD) FOR CONCENTRATED LOADS GREATER THAN 300 lbs.

LOAD BEARING BOX HEADER SCHEDULE

MARK	HEADER STUDS SIZE
HD-1	600S200-54 [50]
HD-2	800S200-54 [50]

SSMA SIZE NOMENCLATURE

600S162-33 [33]

- Yield Strength, Fy (33 ksi or 50 ksi)
- Steel thickness in mils [e.g. 33(20ga), 43(18ga), 54(16ga), 68(14ga), 97(12ga)]
- Flange width [e.g. 137 (1 3/8"), 162 (1 5/8"), 200 (2")]
- Member shape code (S=stud, T=track, U=channel)
- Member depth [e.g. 362 (3 5/8"), 600 (6"), 800 (8")]

WALL STUDS PER PLANS

HEADER STUDS (SIZE PER SCHEDULE)

#10 SCREWS @ 12" o/c

TRACK WIDTH TO MATCH WALL WIDTH & STEEL THICKNESS TO MATCH HEADER STUD THICKNESS

FULL HEIGHT, BACK-TO-BACK KING STUDS

BOX HEADER

#10 SCREWS @ 12" o/c

1/4" CAP PL

3/8" SHEAR PL CONNECTION W/ 3/4" DIA. A325 BOLTS

HSS COLUMN

1/4" TYP.

1/4" TYP.

MINIMUM BOLTED CONNECTIONS

BEAM SIZE	MINIMUM NO. OF BOLT ROWS
W8, W10	2
W12, W14, W16	3
W18, W21	4
W24, W27	5

NOTES:

- BOLTED CONNECTIONS SHOWN ARE THE MINIMUM REQUIREMENTS.
- CONNECTIONS HAVE BEEN DESIGNED TO MEET THE REQUIREMENTS OF THE SHEAR CONNECTION TABLES OF PART 5 OF THE AISC 14TH.

1'-6" MAX.

ROOF JOIST

1/4"x8 1/2"x2" PL

HORIZ LEG OF EDGE ANGLE

4" 1/2" MAX.

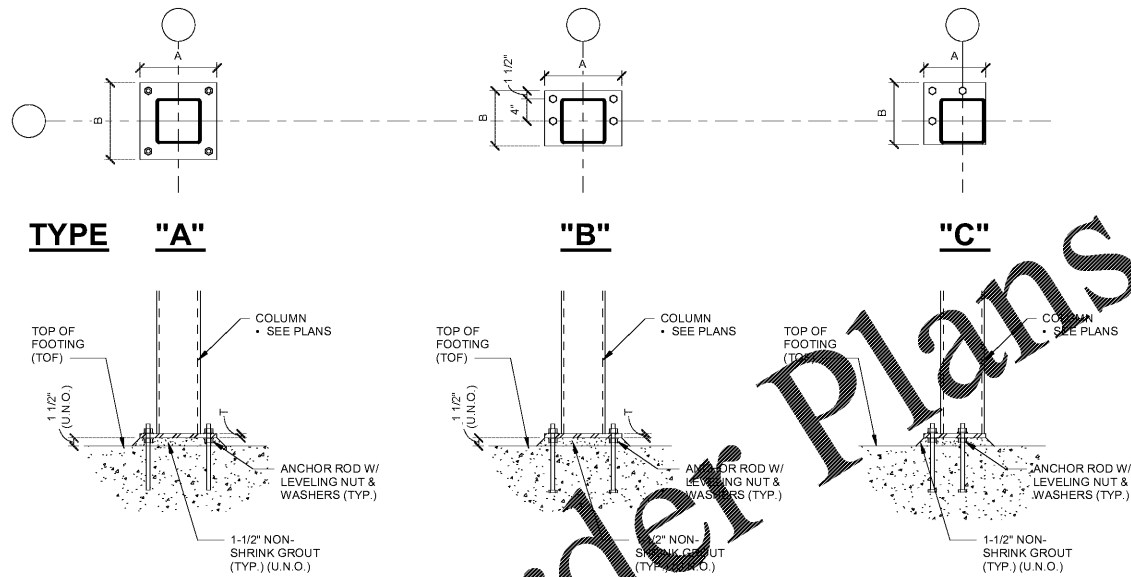
PLAN VIEW

TYPICAL ROOF EDGE ANGLE SPLICE
3/4" = 1'-0"

QUICKFRAME - ALTERNATE RTU SUPPORT FRAME
3/4" = 1'-0"

TYPICAL PLAN ROOF OPENING AND RTU CURB SUPPORT
1/2" = 1'-0"

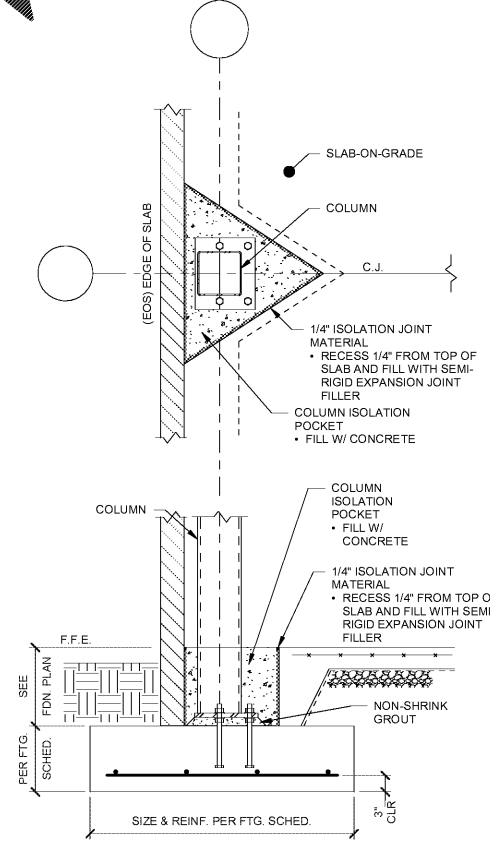
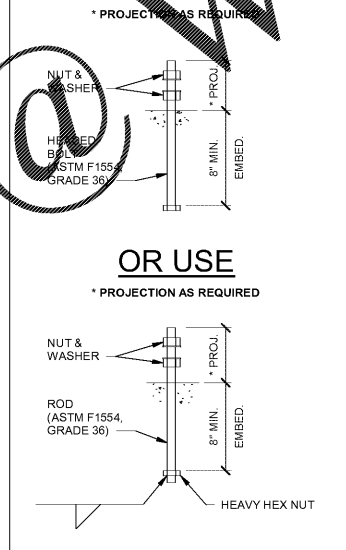
BASE PLATE SCHEDULE



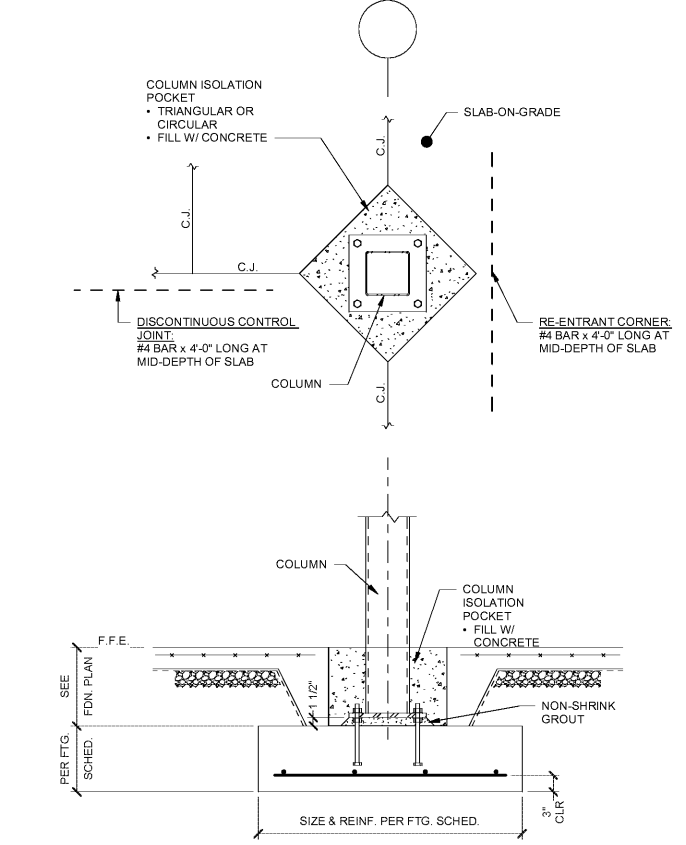
Mark	Dimensions			Anchor Bolt Diameter	Count
	Base PL - "A" Dim	Base PL - "B" Dim	Base PL Thickness		
BP-1	1' - 0"	1' - 0"	3/4"	A	3
BP-2	1' - 0"	9"	3/4"	B	3
BP-3	9"	9"	3/4"	C	2

Grand total: 8

ANCHOR ROD DETAIL



TYPICAL EXTERIOR COLUMN FOOTING
3/4" = 1'-0"



TYPICAL INTERIOR COLUMN FOOTING
3/4" = 1'-0"

engineering consultant

5077 Dallas Hwy, Suite 201
Powder Springs, GA 30127
(404) 465-4889
www.mhstructures.com

general contractor

BLACKWATER CONSTRUCTION
2180 SATELLITE BLVD - SUITE 400 - DUBLIN, GEORGIA, 31099/
MIDWAY, GA 30146
WWW.BWCONSTRUCTION.COM

ISSUED DATE: 5/15/20

RETAIL SUITES OFFICE SPACE
BOYD MORRIS ROAD & GA HWY 298 SPUR
BARTOW COUNTY, GA

0612001
DRAWN BY:
SCALE:
As indicated
DATE:
5/15/20

S003