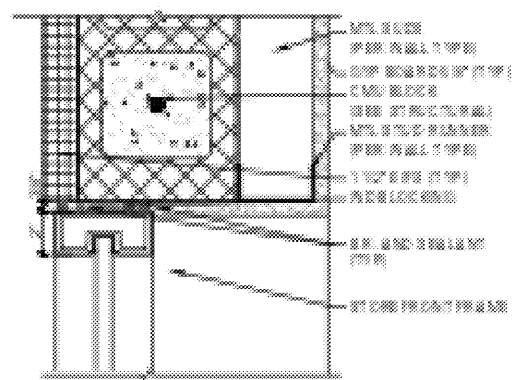
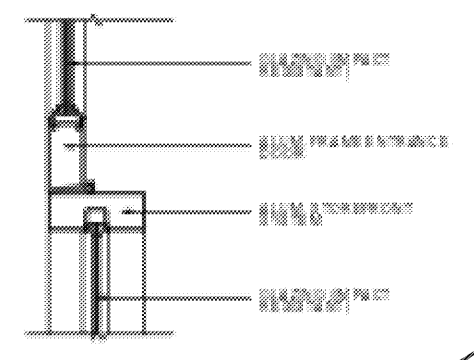


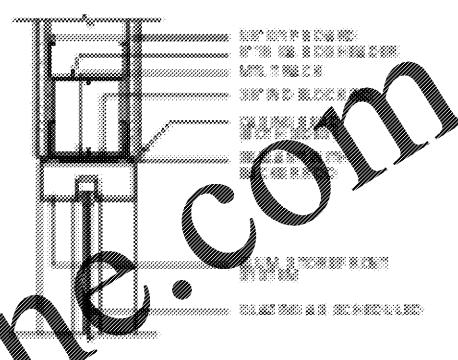
1 WINDOW SILL @ CMU AND BRICK DETAIL
SCALE 7/8\"/>



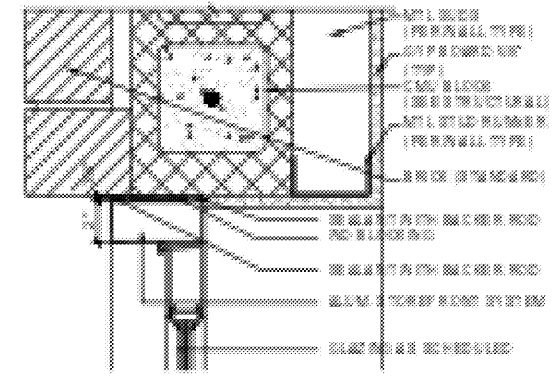
2 WINDOW JAMB @ CMU AND EPS DETAIL
SCALE 7/8\"/>



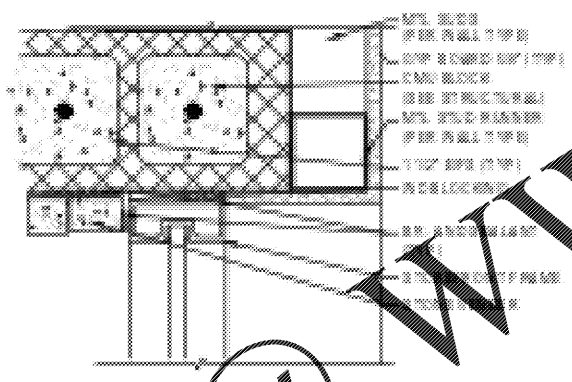
3 DOOR JAMB @ STOREFRONT DETAIL
SCALE 7/8\"/>



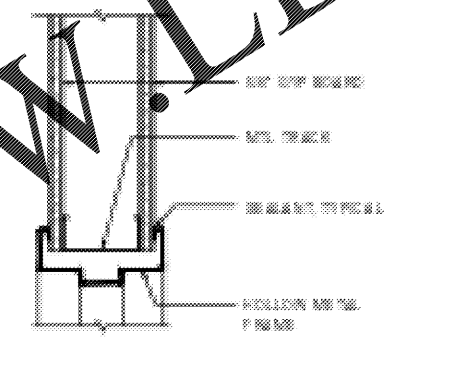
4 WINDOW HEAD @ NTL STUD DETAIL
SCALE 7/8\"/>



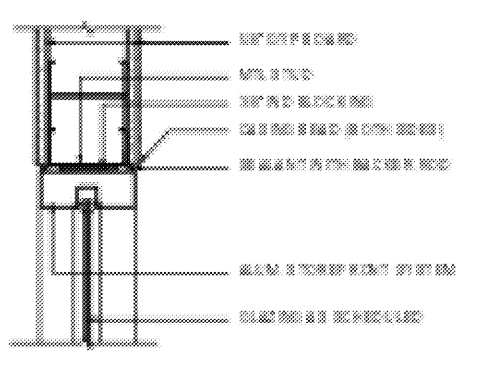
5 DOOR JAMB @ CMU AND BRICK DETAIL
SCALE 7/8\"/>



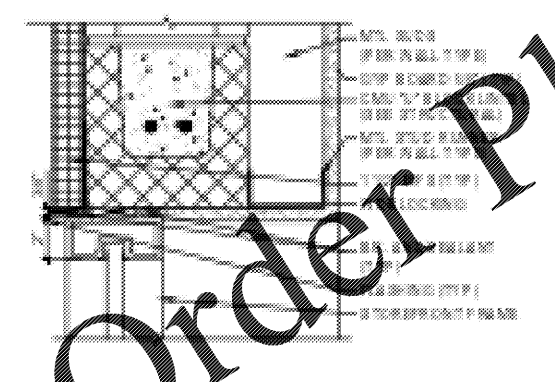
6 WINDOW JAMB @ CMU AND STONE DETAIL
SCALE 7/8\"/>



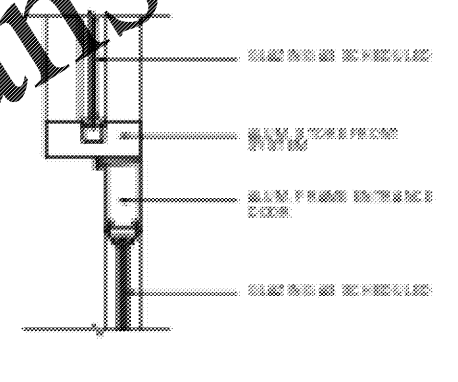
7 HN DOOR HEAD @ NTL STUD DETAIL
SCALE 7/8\"/>



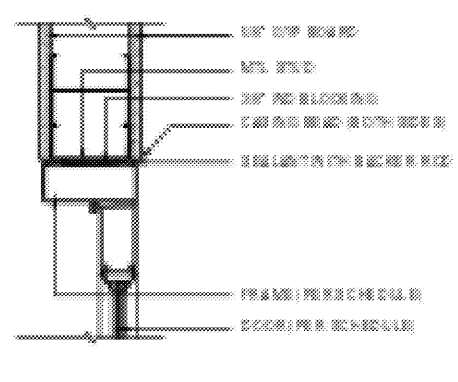
8 WINDOW JAMB @ NTL STUD DETAIL
SCALE 7/8\"/>



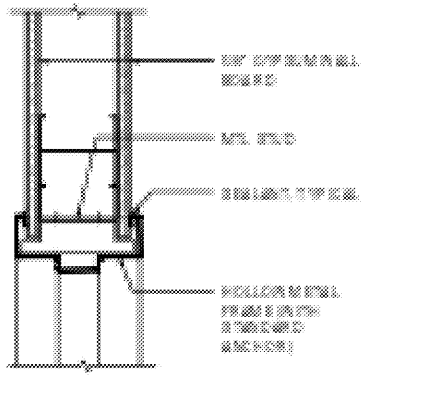
9 WINDOW HEAD @ CMU AND EPS DETAIL
SCALE 7/8\"/>



10 DOOR HEAD @ STOREFRONT DETAIL
SCALE 7/8\"/>



11 DOOR JAMB @ NTL STUD DETAIL
SCALE 7/8\"/>



12 HN DOOR JAMB @ NTL STUD DETAIL
SCALE 7/8\"/>

Order Plans @ www.LDILine.com

ALL DIMENSIONS UNLESS NOTED OTHERWISE...

www.LDILine.com

DATE	DESCRIPTION

general contractor BLACKWATER CONSTRUCTION 2180 SATELLITE BLVD - SUITE 400 - DULUTH, GEORGIA 30097 VOICE: 404-854-3500 E-MAIL: INFO@BLACKWATER.COM WWW.BLACKWATER.COM	engineering consultant LDI	TITLE: DOOR AND WINDOW DETAILS PROJECT: WILD WOLF - COMMERCIAL DEVELOPMENT ADDRESS: BOYD MORRIS ROAD & GA HWY 293 SPUR LOCATION: BARTOW COUNTY, GEORGIA 30120
---	--------------------------------------	--

DRAWN BY:	CHECKED BY:	SCALE:	A-9