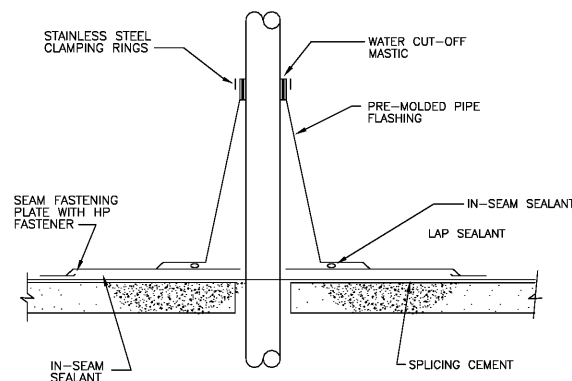
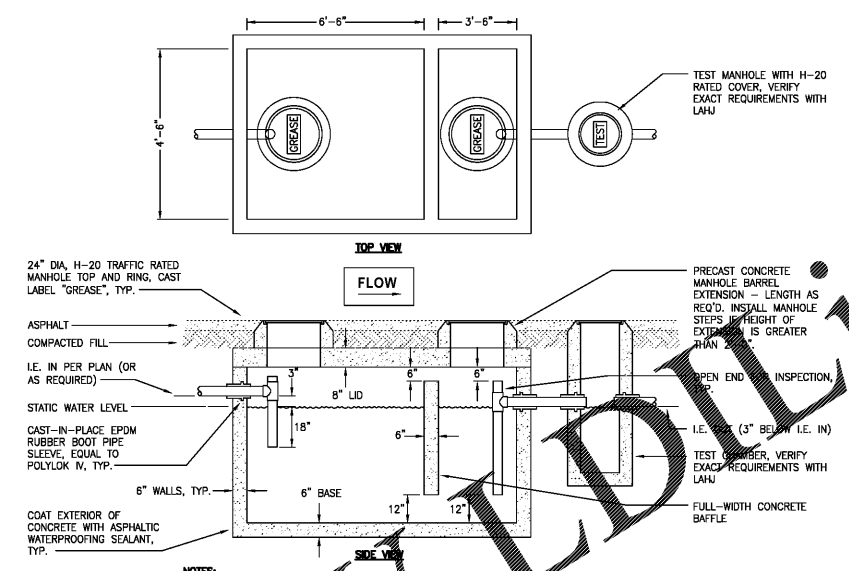


**1 GENERAL PIPING HANGERS**  
P-5.1 SCALE: NONE

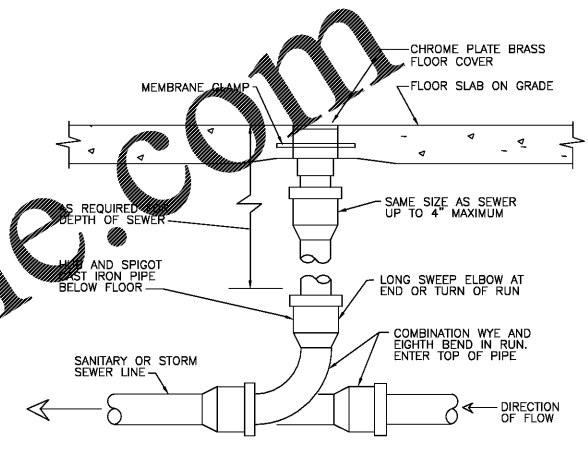


**2 VENT THRU ROOF**  
P-5.1 SCALE: NONE



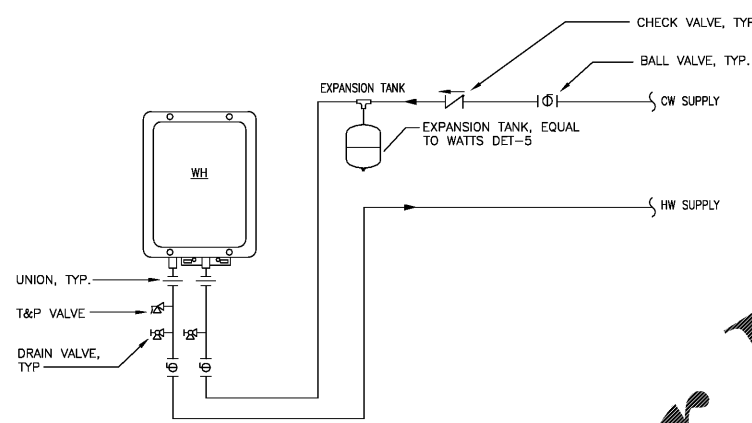
- NOTES:**
1. PRECAST REINFORCED CONCRETE TANK, 5000 PSI @ 28 DAYS, STEEL REINFORCED PER ASTM A 615, 1,500 GALLON WATER CAPACITY. STATIC LINE. UNITS SHALL BE DESIGNED BY A STRUCTURAL ENGINEER REGISTERED IN THE STATE OF INSTALLATION FOR H-20 TRAFFIC LOADING.
  2. BASE AND WALLS SHALL BE CAST IN PLACE. TOP SHALL BE MONOLITHIC.
  3. PIPE AND FITTINGS SHALL BE OF APPROVED MATERIALS.
  4. SEAL ALL JOINTS WITH RUBBER MASTIC, ASTM C 900.
- BASIS OF DESIGN: BARTON MALCOLM CAST MODEL 111-01534

**3 GREASE TRAP**  
P-5.1 SCALE: NONE

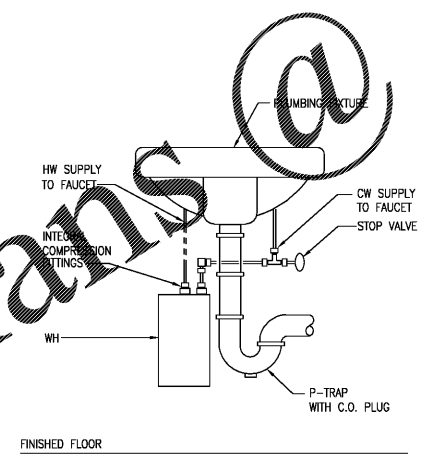


LOCATE AT BUILDING EXIT, AT ENDS OF RUNS, AT TURNS OF PIPE GREATER THAN 45 DEGREES, AT 50' INTERVALS ON STRAIGHT RUNS, AND WHERE SHOWN ON PLANS. PROVIDE BACKFILL PER ARCHITECTURAL SPECIFICATIONS. CONSULT LOCAL CODES FOR OTHER FOO REQUIREMENTS.

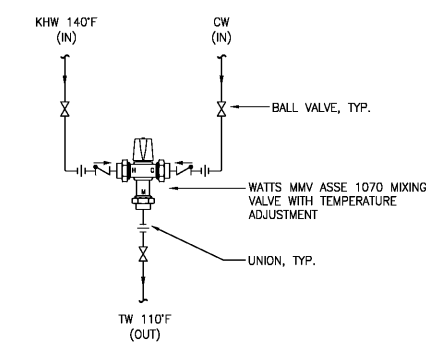
**4 FLOOR CLEANOUT**  
P-5.1 SCALE: NONE



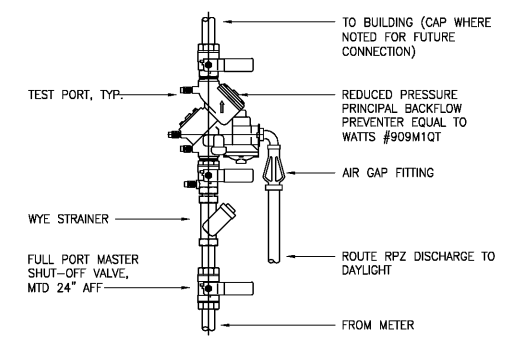
**5 WATER HEATER DETAIL (MOUNTED ON WALL)**  
P-5.1 SCALE: NONE



**6 WATER HEATER DETAIL (UNDER SINK)**  
P-5.1 SCALE: NONE



**7 THERMOSTATIC MIXING VALVE**  
P-5.1 SCALE: NONE



**8 RPZ BACKFLOW PREVENTER**  
P-5.1 SCALE: NONE

Order Plans @ WWW.LDLine.com

REVISIONS NO. DATE BY		
engineering consultant  general contractor	Bay Group Consulting Engineers, Inc. 1027 Powers Ferry Road Building 20, Suite 100 Atlanta, Georgia 30339 Fax: (770) 957-9523	BLACKWATER CONSTRUCTION 2100 SHELITE BLVD - SUITE 400 - DULUTH, GEORGIA 30097 Voice: 404-254-3500 E-Mail: info@blackwater.com www.blackwater.com
PLUMBING DETAILS WILD WOLF-COMMERCIAL DEVELOPMENT BOYD MORRIS ROAD & GA HWY 293 SPUR BARTOW COUNTY, GEORGIA 30120	DRAWING NO. P-5.1	DATE 06/16/20

