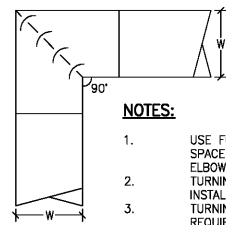
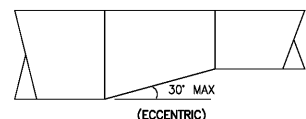


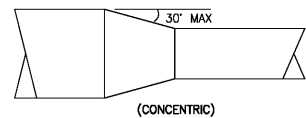
(RADIUS)



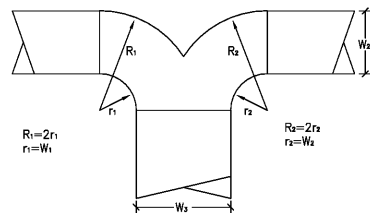
(SQUARE)



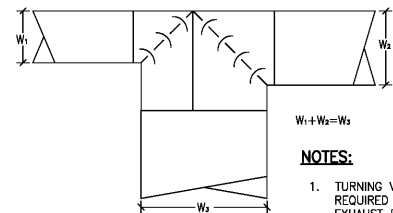
(ECCENTRIC)



(CONCENTRIC)

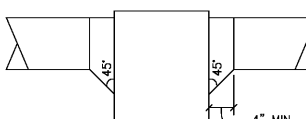


(RADIUS WYE)



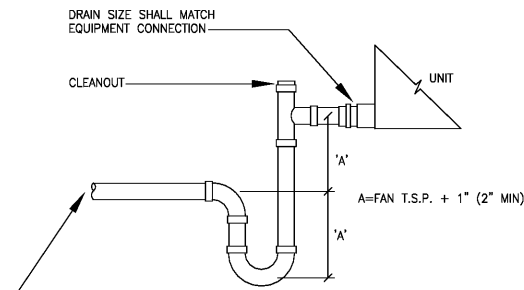
(SQUARE WYE)

DIVIDED FLOW BRANCHES

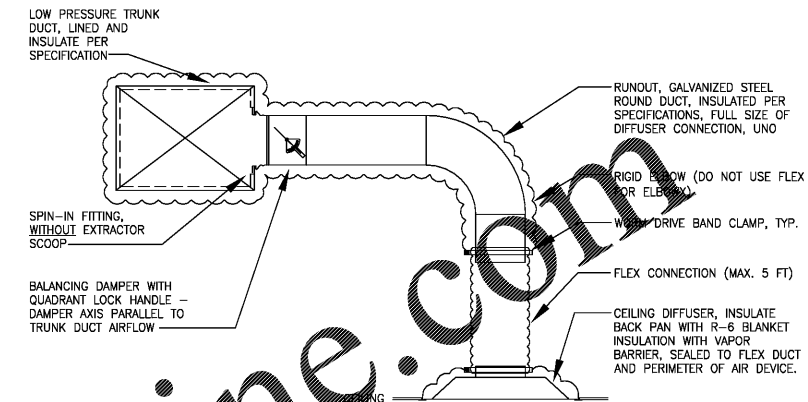


(TEE)

NOTES:
1. TEE'S MAY NOT BE USED FOR SUPPLY DUCT SYSTEMS



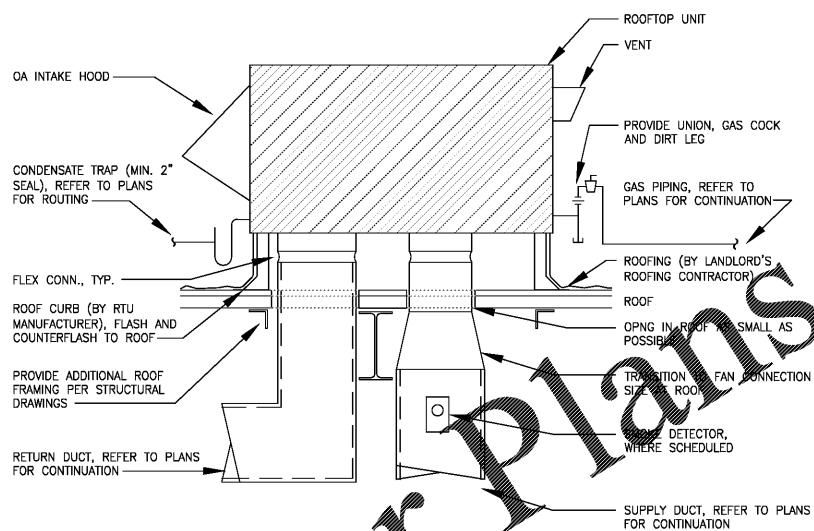
NOTES:
1. SPILL CONDENSATE DRAIN ON SPLASH BLOCK ON ROOF ON DOWNHILL SIDE OF RTU.



3 AIR DEVICE CONNECTION
M-5.1 SCALE: NONE

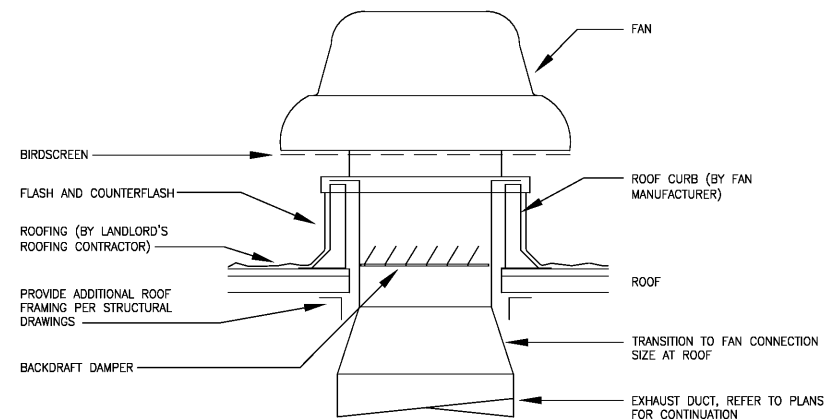
1 DUCTWORK DETAILS
M-5.1 SCALE: NONE

2 CONDENSATE DRAIN
M-5.1 SCALE: NONE



NOTE:
1. SECURE RTU TO CURB PER MANUFACTURER'S RECOMMENDATIONS.
2. RTU OR INTAKE CURB SHALL BE MINIMUM 10'-0" FROM ANY EXHAUST FAN DISCHARGE, PLUMBING VENT, ETC.

4 ROOFTOP UNIT - GAS HEAT
M-5.1 SCALE: NONE



NOTES:
1. SECURE FAN TO CURB WITH NON-FERROUS OR SS SCREWS AT 24" O.C., MINIMUM 2 PER SIDE.

5 ROOF MOUNTED CENTRIFUGAL FAN
M-5.1 SCALE: NONE

Order Plans

@

WWW.LDILine.com



DATE 06/16/20	SCALE M-5.1	DRAWING NO. M-5.1	PROJECT WILD WOLF - COMMERCIAL DEVELOPMENT BOYD MORRIS ROAD & GA HWY 293 SPUR BARTOW COUNTY, GEORGIA 30120	DRAWN BY DATE 06/16/20	CHECKED BY DATE	APPROVED BY DATE	engineering consultant LD Inc. Consulting Engineers, Inc. 1827 Powers Ferry Road Building 20, Suite 100 Atlanta, Georgia 30329 Phone: (770) 965-9638 Fax: (770) 965-9638 www.ldinc.com
------------------	----------------	----------------------	---	------------------------------	--------------------	---------------------	---