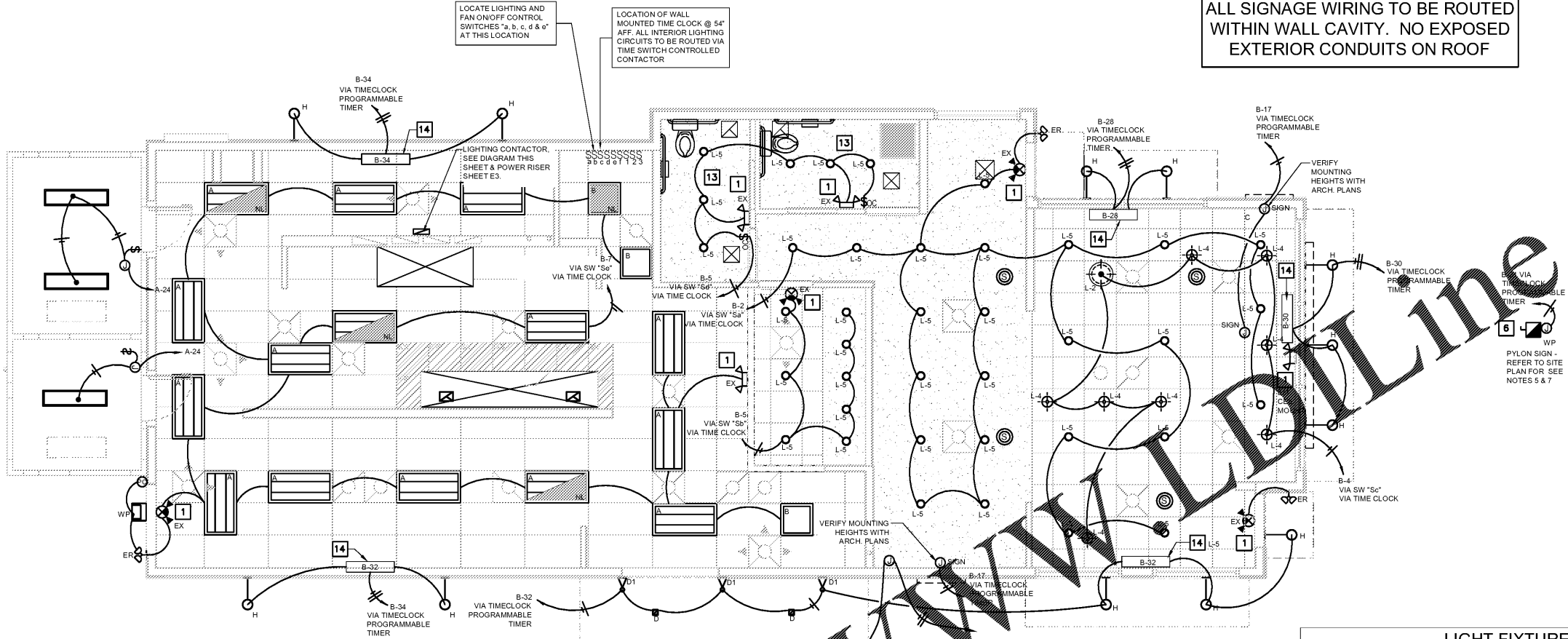


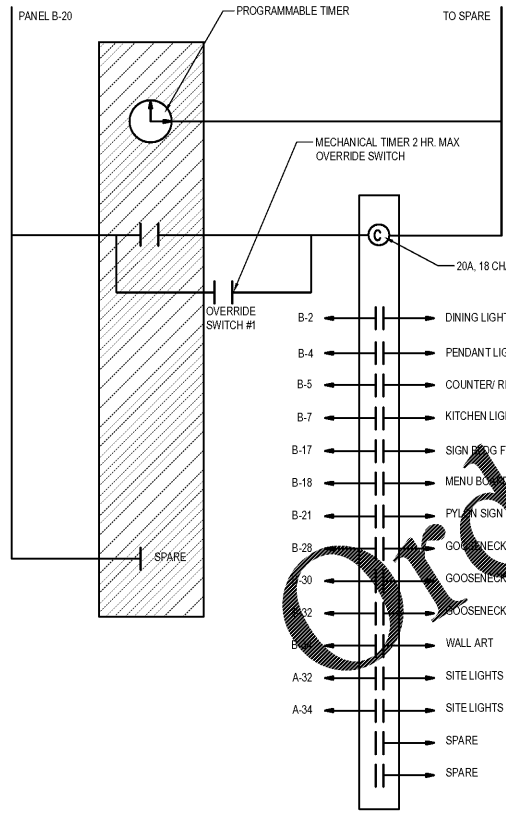
**NOTE:**  
REFER TO ARCHITECTURAL REFLECTED CEILING PLAN, EXTERIOR ELEVATIONS AND WALL SECTIONS FOR DIMENSIONED LOCATIONS OF LIGHTING FIXTURES.



**ALL SIGNAGE WIRING TO BE ROUTED WITHIN WALL CAVITY. NO EXPOSED EXTERIOR CONDUITS ON ROOF**

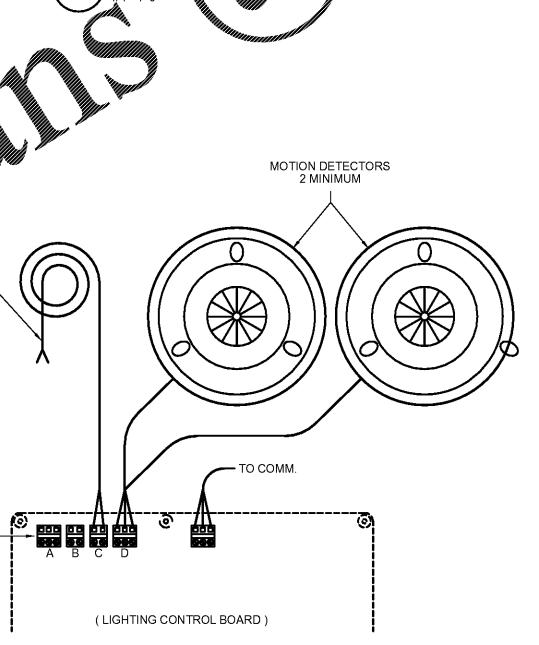
**SHEET NOTES:**

- 1 ALL "EX" EMERGENCY & EXIT LIGHTING FIXTURES SHALL BE CONNECTED AHEAD OF ROOM/AREA SWITCHES PER NATIONAL ELECTRICAL CODE (NEC) ARTICLE 700-12(f).
- 2 VERIFY THE EXACT LOCATION OF SIGNS, AND FASCIA BOXES BEFORE INSTALLATION OF JUNCTION BOXES.
- 3 HOMERUNS MAY BE COMBINED AS ALLOWED BY THE NATIONAL ELECT. CODE ALL CONDUIT SHALL BE SIZED PER THE 2002 NEC.
- 4 ELECTRICAL CONTRACTOR SHALL VERIFY EXACT SIGN(S) WIRING REQUIREMENTS WITH THE SIGN SUPPLIER PRIOR TO SUBMITTING A BID FOR THE ELECTRICAL.
- 5 ELECTRICAL CONTRACTOR SHALL VERIFY THE LOCATION OF THE PYLON SIGN ON THE SITE PLAN.
- 6 PROVIDE 2P/30A NEMA 3R, FUSED DISCONNECT SWITCH W/ LIQUID-TIGHT FLEXIBLE CONDUIT TO PYLON SIGN. FUSE SIZE PER SIGN MFR'S RECOMMENDATION.
- 7 THE BUILDING SIGNAGE, PYLON SIGN, SPECIAL LIGHTING, BUILDING SIGN (FANS, LIGHTS, THRU SIGNBOARDS), AND SITE LIGHTING SHALL BE WIRING TO THE LIGHTING CONTACTORS FOR ALL EXTERIOR LIGHTING.
- 8 PROVIDE RAYBAYS, BALLASTS AND LAMPS (F40T8) FOR ALL LIGHT FIXTURES FURNISHED BY THE FREEZER/COOLER/STORAGE UNIT. LIGHTING CONTACTOR COORDINATE THE INSTALLATION OF SWITCHES AND FUSES WITH THE EQUIP. SUPPLIER.
- 9 BALLAST ON HOOD FOR PRE-WIRED HOOD LIGHTS.
- 10 G.C. TO VERIFY EXACT ELECTRICAL REQUIREMENTS FOR ILLUMINATED SITE/MONUMENT SIGN STRUCTURE W/ SIGN SUPPLIER PRIOR TO INSTALLATION. G.C. TO PROVIDE FINAL ELECTRICAL HOOK-UP.
- 11 NOT USED.
- 12 ROUTE CIRCUIT VIA EXTERIOR/SIGN LIGHTING CONTACTOR (SEE CONTROL SCHEMATIC DIAGRAM SHEET E1).
- 13 FIXTURE TYPE "B" EQUIPPED WITH EMERGENCY LIGHTING BATTERY PACK. THE BATTERY PACK SHALL BE WIRED AHEAD OF ANY SWITCHES.
- 14 36"x6"x0" SHEET METAL GUTTER FOR BALLAST AND CAPACITORS FOR FIXTURES "H". MOUNT GUTTER ABOVE CEILING TO INTERIOR STUDS.



2 LIGHTING CONTROL WIRING DIAGRAM  
E1 N.T.S.

**ELECTRICAL LIGHTING PLAN**  
1/4"=1'-0"



3 LIGHTING CONTROL  
E1 N.T.S.

**POPEYES RADIO SYSTEM**

| DESCRIPTION                           | MAKE           | MODEL             | QUANTITY |
|---------------------------------------|----------------|-------------------|----------|
| RECESSED SPEAKERS* (DINING)           | BOSE           | MODEL #16, BLACK  | 4        |
| RECESSED SPEAKERS* (KITCHEN)          | MUZAK          | MBS 9-0 TL, BLACK | 2        |
| OUTDOOR BOX SPEAKERS*                 | QWA            | 701               | 4        |
| AMPLIFIER                             | PASO           | MU 3130 BGV       | 1        |
| SPEAKER SUPPORT                       | QUAM           | SBR-2             | 2        |
| SPEAKER BACKBAN                       | QUAM           | ERD-8             | 2        |
| CABLE, CONNECTORS, HARDWARE AND SHELF | VARIOUS        | VARIOUS           | 3        |
| AREA VOLUME CONTROL                   | QUAM           | QC-10             | 3        |
| RECEIVER                              | EDMUND STAR    | 3000              | 1        |
| DISH                                  | CHANNEL MASTER | 1.0 ANTENNA       | 1        |

\* NUMBER OF SPEAKERS MAY VARY DUE TO DESIGN CONSIDERATIONS  
\* LABOR INCLUDES INSTALLATION OF 15' OF 12 GAUGE SPEAKER WIRE.  
SEE THE NATIONAL ACCOUNT VENDOR LIST FOR EQUIPMENT SUPPLIER.

**LIGHT FIXTURE SCHEDULE**

| MARK | DESCRIPTION   | MANUFACTURER | LIGHT FIXTURE                       | COLOR                                   | BULBS           |
|------|---|--------------|-------------------------------------|---|-----------------|
| A    | 2 x 4 LED LAY-IN  | HERMITAGE    | 20800844                            | WHITE                                   | 52 WATTS        |
| B    | 2 x 2 ZR22 LED TROFFER  | CREE         | ZR22-32L-35K-10V                    | WHITE                                   | LED INCLUDED    |
| CL   | COOLER/FREEZER  |              | BY COOLER MANUFACTURER              |   |                 |
| D    | BALCONY RECESSED SOFFIT LIGHT (BY SIGN SUPPLIER/BALCONY)        | BY OTHERS    | 851-DL-100MH-FP-WH-120              | WHITE                                   | (1) MH100/UIMED |
| D1   | SHUTTER UPLIGHT / CUSTOM COLOR CAST ROUND BOX COVER FOR FIXTURE | HERMITAGE    | 75401267                            | EVERGREEN                               | 25 WATTS        |
| E    | MANSARD WALL MOUNT UNIT   | HERMITAGE    | 09700809                            | CLEAR                                   | (1) 25W         |
| EM   | EMERGENCY LIGHTING UNIT   | EXITRONIX    | 90902323                            | WHITE                                   | (2) 5W          |
| ER   | REMOTE EMERGENCY LIGHTING UNIT                                  | EXITRONIX    | 90901052                            | WHITE                                   | (2) 5W          |
| EX   | LED EXIT EMERGENCY COMBO  | EXITRONIX    | 90902167                            | WHITE                                   | INCLUDED        |
| L-5  | 6" RECESSED DOWNLIGHT   | LSI          | PDL6KAD-LED-07-30-120-PDL6KADJHSGNC | WHITE                                   | 14W LED         |
| -    | NOT USED  | -            | -                                   | -                                       | -               |
| H    | GOOSENECKS 100W/WH - OUTDOOR                                    | HERMITAGE    | 93102102                            | CUSTOM                                  | 38 WATTS        |
| WP   | WALL PACK w/ PHOTO CELL (REAR DOOR)                             | HERMITAGE    | SWP-100MH-DB-MT                     | BRONZE                                  | (1) MH100/UIMED |
| L-4  | PENDENT   | HERMITAGE    | GALATIN, GALA, 6.75x10"             | TAN                                     | -               |
| L-2  | PENDENT   | HERMITAGE    | H-PP-18SHD60P                       | SHADE: RED SYSTEM/NOPLY: 11-SATIN STEEL | 100W            |
| C    | 6" RECESSED WALLWASHER  | JUNO         | PL642EU-261B-WH                     | WHITE                                   | 26W TRIPLE TUBE |

**SITE LIGHTING (FIXTURE COUNTS TO BE VERIFIED WITH ARCHITECT AND OWNER)**

| LP | OSQ HIGH OUTPUT LED AREA/FLOOD LIGHT | CREE | OSQ-A-NM-4ME-T-57-LJ-L-BZ w/OSQ-AABZ OSQ-BLSLF | BRONZE | -   |
|----|--------------------------------------|------|--|--------|-----|
| LP | 18" x 4" x 11ga STEEL SQUARE POLE    | CREE | CL-SSP-4011-18-OT-BZ                           | BRONZE | N/A |

NOTE: \* VERIFY WIND LOAD TO ENSURE POLE SIZE IS SUFFICIENT.  
\* LABOR WARRANTY FOR TWO YEARS IS PROVIDED ON ALL PARKING LOT LIGHTING THRU HERMITAGE LIGHTING NATIONAL ACCOUNTS. PLEASE CONTACT HERMITAGE LIGHTING FOR INFORMATION ON LIGHTING PACKAGE, TEL. (815) 843-3379  
\* NO SUBSTITUTION ALLOWED FOR SPECIFIED LIGHT FIXTURES.

ALL LIGHT FIXTURES LISTED IN THE ABOVE SCHEDULE SHALL BE FURNISHED BY GC AND INSTALLED BY THE ELECTRICAL CONTRACTOR, EXCEPT AS NOTED IN PARAGRAPH PART 1.1.C OF ELECTRICAL SPECIFICATIONS.

| NOMENCLATURE | DEFINITIONS                                    |
|--------------|--|
| A12          | PATTERN #12 ACRYLIC PRISMATIC LENS             |
| 1/4 GEB      | 4 LAMP ELECTRONIC BALLAST > 20% THD ELECTRONIC |
| CW20         | COLD WEATHER BALLAST                           |
| PE           | FACTORY INSTALLED PHOTOCCELL                   |
| M            | METAL HALIDE SOURCE                            |

- FIXTURE NOTES:**
1. SEE ARCHITECTURAL DETAILS FOR MOUNTING LOCATIONS.
  2. ALL OUTLETS FOR LIGHTS SHALL BE SUPPORTED INDEPENDENTLY OF CEILING SYSTEM USING 1/4" ALL THREAD ROD.
  3. PROVIDE REMOTE MOUNTED (ON ROOF) PE CELL FOR ALL EXTERIOR FIXTURE. TYPE WP NOT ON THE LIGHTING CONTACTOR.
  4. BALLAST LOCATION FOR GOOSE NECKS INSTALLED PER N.E.C.

2150 Palm Beach Blvd  
Ave. FL 33400  
Phone: (561) 983-8829  
Fax: (561) 983-8829

**ARCHITECTURE  
ENGINEERING**

**LIS**  
LAND INVESTMENT SERVICES, LLC

PROJECT NAME: SOUTHEASTERN RETAIL DEVELOPMENT, LLC  
CLIENT NAME: SOUTHEASTERN RETAIL DEVELOPMENT, LLC  
BLDG M-1, UNIT Z31  
2050 COUNTY ROAD 30A  
SANTA ROSA BEACH, FL 32459

SHEET TITLE: LIGHTING PLAN

SEAL: ROBERT W. CASE  
GEORGIA PE #202694

|         |      |
|---------|------|
| RELEASE | DATE |
| 1       |      |
| 2       |      |
| 3       |      |
| 4       |      |
| 5       |      |
| 6       |      |

PROJECT NO: 2020-085

ISSUE DATE: 05/07/20

DRAWN: JC | CHECKED: JC

SHEET NO: E1  
LIGHTING PLAN