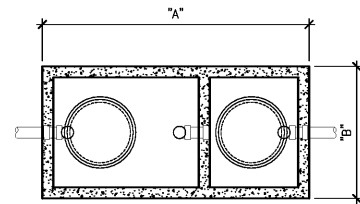


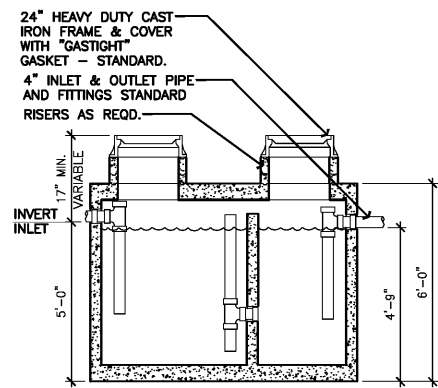
**DETAIL NOTES:**

1. SURFACE MOUNTED THERMOSTATIC MIXING VALVE ASSEMBLY TO BE SYMMONS SERIES 5 OR APPROVED EQUAL. 15 PSI MAXIMUM PRESSURE DROP. COORDINATE FINAL SELECTION WITH FLOW AND PRESSURE TESTS TO ENSURE PROPER OPERATION.
2. SEE PLANS FOR HW SIZES FROM WATER HEATER SYSTEM TO MIXING VALVE ASSEMBLY. REDUCE AT ASSEMBLY AS REQUIRED.
3. INSTALL PER MANUFACTURERS PUBLISHED RECOMMENDATIONS.

**14 THERMOSTATIC MIXING VALVE**  
P4 NTS



TOP VIEW



SECTION

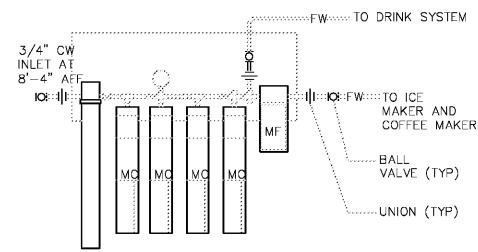
G.T. SIZE	DIM. "A"	DIM. "B"
1000 GALLON	8'-2"	5'-1"

**GREASE LOAD CALCULATION**

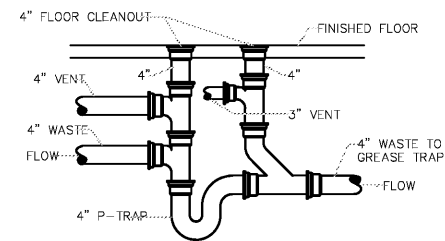
S = TOTAL SEATS  
 GS = GALLONS OF WASTE WATER SEATS  
 HR = HOURS OF OPERATION  
 LF = LOADING FACTOR  
 M = DRIVE THRU MEALS PER DAY  
 GM = GALLONS PER MEAL

(S) x (GS) x (LF) = (25%) = EFFECTIVE SEATING CAPACITY IN GALLONS  
 (28) x (10) x (12/12) x (1) x (0.25) = 70 GALLONS  
 PLUS  
 (M) x (GM) x (LF) = EFFECTIVE TAKE OUT MEAL IN GALLONS  
 (125) x (5) x (1.0) = 625 GALLONS  
 TOTAL = (70) + (625) = 695 GALLONS - USE 1000 GALLONS

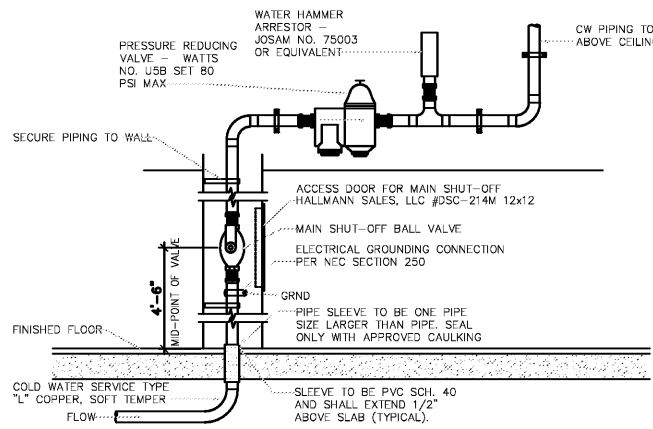
**13 GREASE TRAP DETAIL**  
P4 NTS



**12 WATER FILTER DETAIL**  
P4 NTS

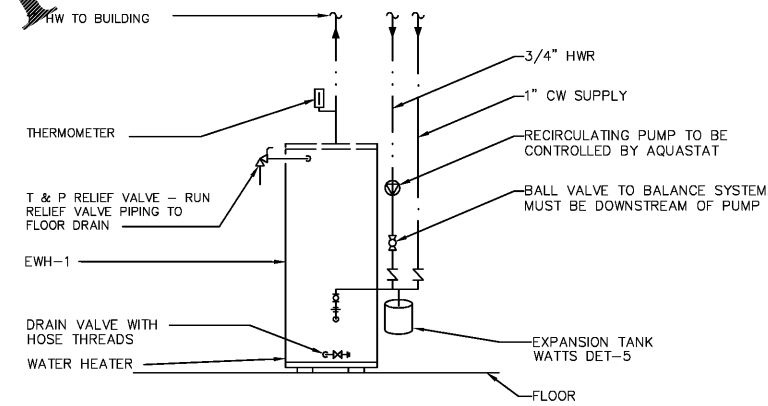


**11 FRESH AIR TRAP DETAIL**  
P4 NTS



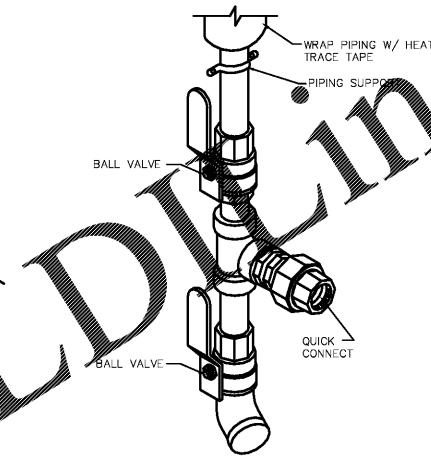
**10 COLD WATER SERVICE ENTRANCE**  
P4 NTS

**10 COLD WATER SERVICE ENTRANCE**  
P4 NTS

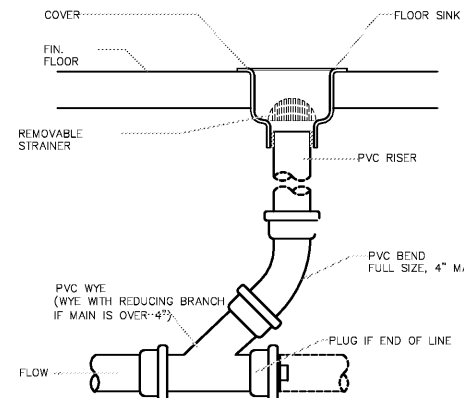


**9 ELECTRIC WATER HEATER DETAIL**  
P4 NTS

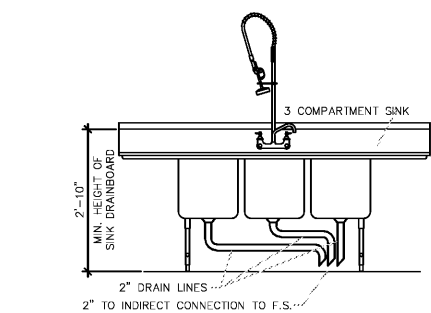
**8 NOT USED**  
P4 NTS



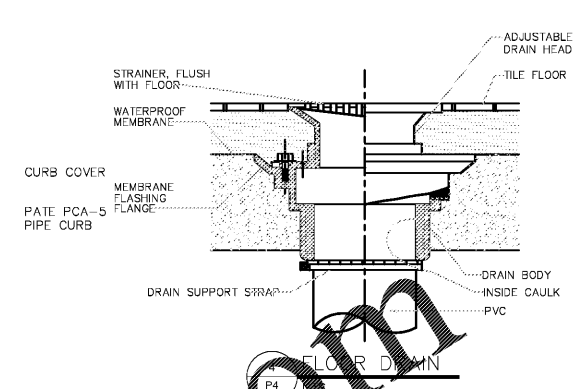
**7 GREASE RECOVERY CONNECTION**  
P4 NTS



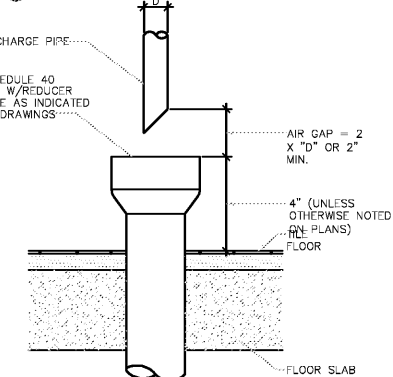
**6 FLOOR SINK**  
P4 NTS



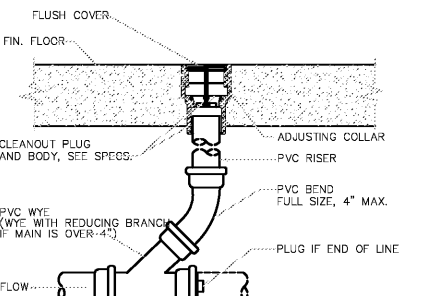
**5 3 COMPARTMENT SINK**  
P4 NTS



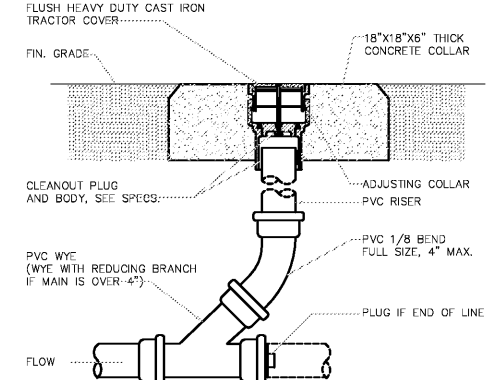
**4 FLOOR DRAIN**  
P4 NTS



**3 HUB DRAIN**  
P4 NTS



**2 FLOOR CLEAN-OUT**  
P4 NTS



**1 GRADE CLEAN-OUT**  
P4 NTS

ARCHITECTURE  
ENGINEERING

**LIS**

ARCHITECT ENGINEER  
LAND INVESTMENT SERVICES, LLC

2100 Palm Beach Blvd  
Apt. FL 33500  
State 2084, Oviedo, FL 32705  
Phone: (407) 244-8811  
Facsimile: (239) 983-8829

CLIENT NAME  
SOUTHEASTERN RETAIL DEVELOPMENT, LLC

BLDG M-1, UNIT Z31  
2050 COUNTY ROAD 30A  
SANTA ROSA BEACH, FL 32459

PROJECT NAME  
POPEYES

PLK 1930-28-DL SAILORMEN  
501 N HWY 49  
BRYAN, GA 31088

ROBERT W. CASE  
GEORGIA PE #020594

RELEASE	DATE
1	
2	
3	
4	
5	
6	

PROJECT NO.  
**2020-085**

ISSUE DATE  
**05/07/20**

DRAWN | CHECKED  
**GM | RC**

SHEET NO.  
**P4**

PLUMBING DETAILS