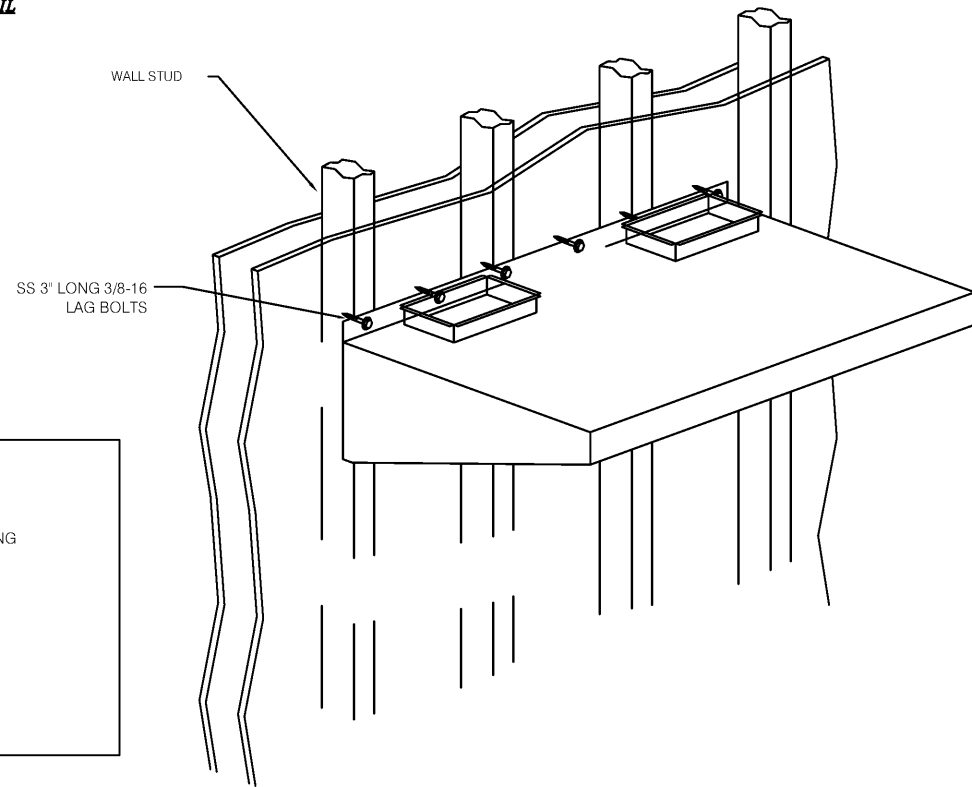


TYPICAL BLL INSTALL DETAIL

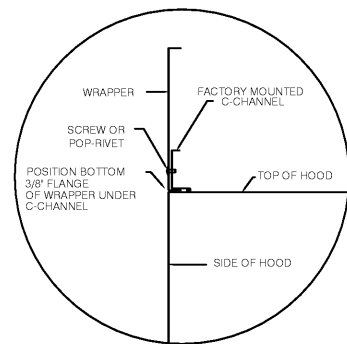
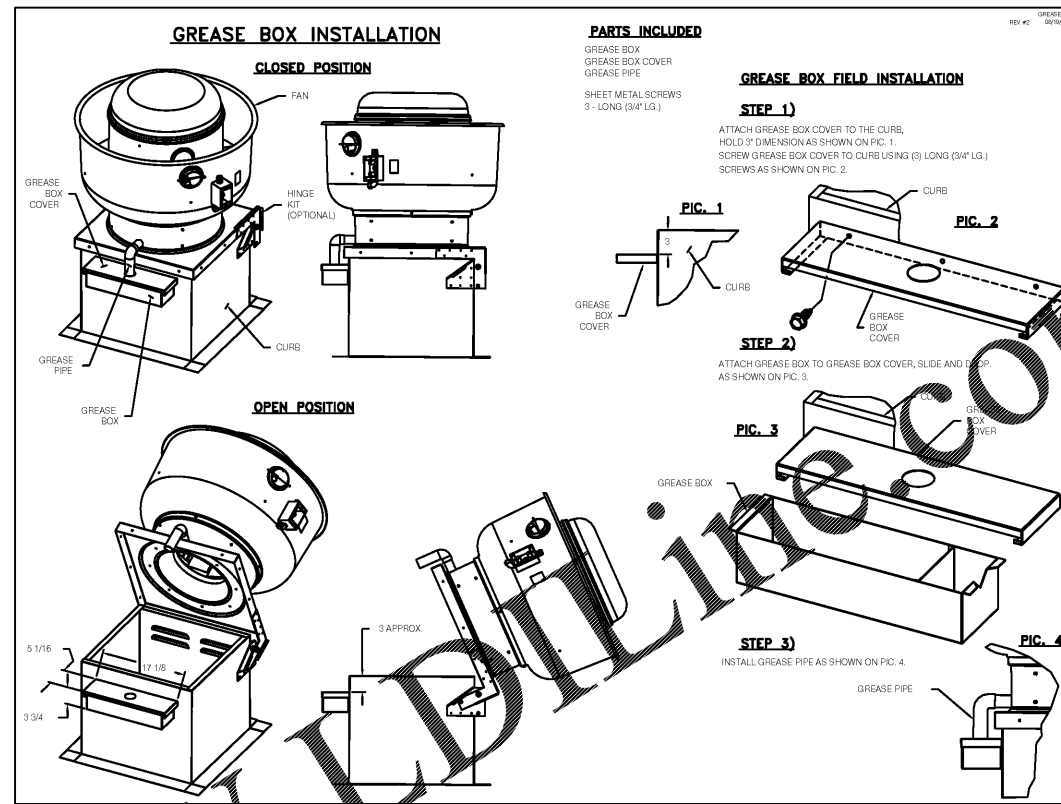


BOLTS SHOULD BE INSTALLED IN 1" VERTICAL FLANGE ON THE TOP BACK OF THE HOOD.

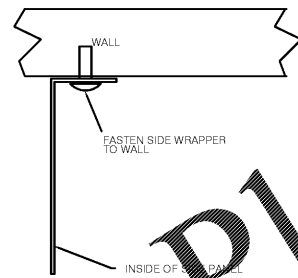
INSTALL A BOLT EVERY FOOT ENSURING THAT AT LEAST EVERY OTHER BOLT THREADS SOLIDLY INTO WALL STUD

USE LAG BOLT SIMILAR TO McMASTER CARR 90123A383

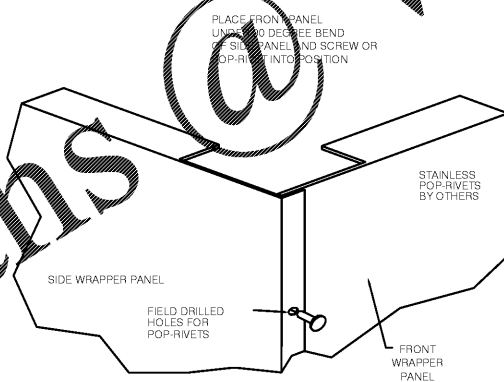
DUCT SUPPORT IS BY OTHERS AS DUCTWORK SHOULD BE SUPPORTED FROM CEILING OR WALLS WITH THE USE OF HANGING STRAPS



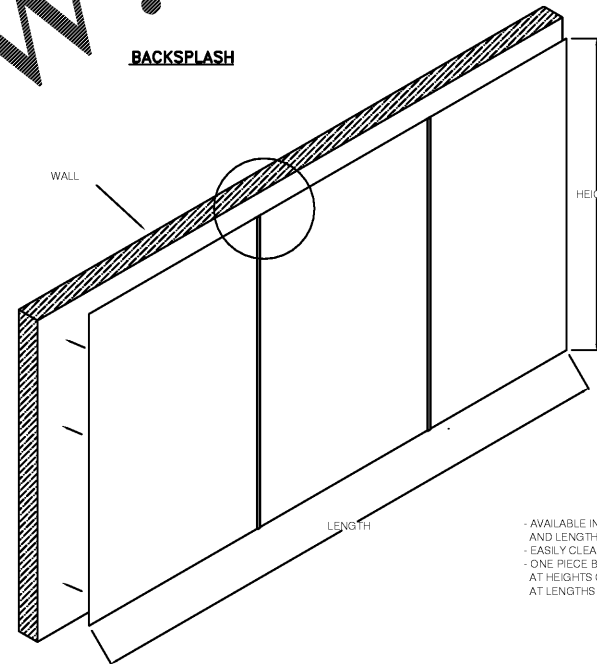
ENCLOSURE DETAIL



REAR WALL ATTACHMENT



FRONT CORNER ASSEMBLY



AVAILABLE IN VARYING HEIGHTS AND LENGTHS
EASILY CLEANABLE
ONE PIECE BACKSPLASH AVAILABLE AT HEIGHTS OF 4 FT. OR LESS AND AT LENGTHS OF 16 FT. OR LESS

Order Plans @ WWW.LIDLINE.COM

REVISIONS

NO.	DESCRIPTION	DATE

Ohio Selected Accounts
100 E. Campus View Blvd., Suite 250, Westerville, OH 43081
PHONE: (614) 879-7638 FAX: (614) 800-4534 EMAIL: tm.anderson@captivem.com

CAPTIVE

POPEYES - Sailorman Prototype 2017

DATE: 11/15/2017

DWG.#: 2968716

DRAWN BY: landers

SCALE: 3/4" = 1'-0"

MASTER DRAWING

SHEET NO.

ARCHITECTURE ENGINEERING LIS

2150 Palm Beach Blvd
Ave. FL 33409
Phone: (335) 983-8829
Facsimile: (335) 983-8829

ARCHITECT ENGINEER

LAND INVESTMENT SERVICES, LLC

CLIENT NAME: SOUTHEASTERN RETAIL DEVELOPMENT, LLC
BLDG M-1, UNIT Z31
2050 COUNTY ROAD 30A
SANTA ROSA BEACH, FL 32459

PROJECT NAME: POPEYES
PLK 1930-28-DL SAILORMEN
501 N HWY 49
BRYAN, GA 31088

HOOD ENCLOSURE DETAILS

ROBERT W. CASE
GEORGIA PE #020594

RELEASE	DATE
1	
2	
3	
4	
5	
6	

PROJECT NO. 2020-085

ISSUE DATE 05/07/20

DRAWN | CHECKED
| CS

SHEET NO. M3.5
HOOD ENCLOSURE DETAILS

GENERAL NOTE:
CAPTIVE AIRE SHOWN AS BASIS OF DESIGN.
NO SUBSTITUTIONS ALLOWED.