

EXHAUST FAN INFORMATION - Job#2968716

FAN UNIT NO.	TAG	FAN UNIT MODEL #	CFM	ESP.	RPM	H.P.	B.H.P.	Ø	VOLT	FLA	DISCHARGE VELOCITY	WEIGHT (LBS.)	SONES
1		DUBSHFA	900	1.250	1221	0.750	0.3390	1	115	9.8	296 FPM	97	12.7
2		DUBSHFA	900	1.250	1221	0.750	0.3390	1	115	9.8	296 FPM	97	12.7
3		DUI2HFA	500	0.400	1556	0.250	0.1940	1	115	3.8	426 FPM	53	10.5

FAN OPTIONS

FAN UNIT NO.	TAG	OPTION (Qty. - Desc.)
1		1 - Grease Box
2		1 - Grease Box
3		1 - ECM Wiring Package-Exhaust - Manual or 0-10VDC Reference Speed Control (NIDEC Motor) 1 - SCR-12 Bird Screen 1 - I 12-BDD Damper

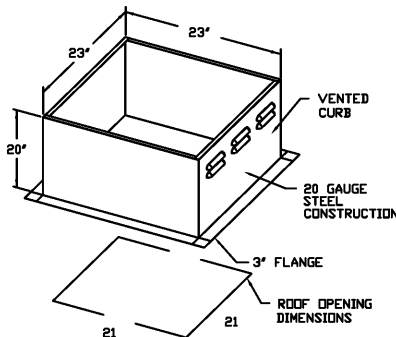
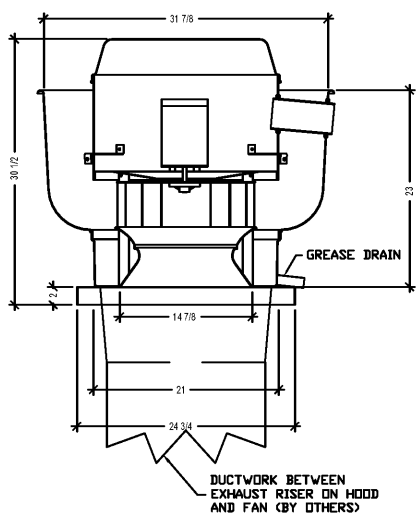
FAN ACCESSORIES

FAN UNIT NO.	TAG	EXHAUST				SUPPLY		
		GREASE CUP	GRAVITY DAMPER	WALL MOUNT	SIDE DISCHARGE	GRAVITY DAMPER	MOTORIZED DAMPER	WALL MOUNT
1		YES						
2		YES						
3			YES					

CURB ASSEMBLIES

NO.	DN FAN	WEIGHT	ITEM	SIZE
1	# 1	36 LBS	Curb	23,000"W x 23,000"L x 20,000"H Vented Hinged
2	# 2	36 LBS	Curb	23,000"W x 23,000"L x 20,000"H Vented Hinged
3	# 3	29 LBS	Curb	17,500"W x 17,500"L x 20,000"H Hinged

FANS #1, #2 - DUBSHFA EXHAUST FAN



FEATURES:

- DIRECT DRIVE CONSTRUCTION (NO BELTS/PULLEYS)
- ROOF MOUNTED FANS
- RESTAURANT MODEL
- UL705 AND UL762
- VARIABLE SPEED CONTROL
- INTERNAL WIRING
- WEATHERPROOF DISCONNECT
- THERMAL OVERLOAD PROTECTION (SINGLE PHASE)
- HIGH HEAT OPERATION 300°F (149°C)
- GREASE CLASSIFICATION TESTING

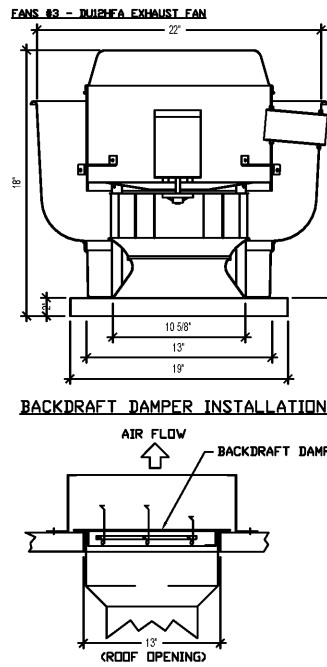
NORMAL TEMPERATURE TEST

EXHAUST FAN MUST OPERATE CONTINUOUSLY WHILE EXHAUSTING AIR AT 300°F (149°C) UNTIL ALL FAN PARTS HAVE REACHED THERMAL EQUILIBRIUM, AND WITHOUT ANY DETERIORATING EFFECTS TO THE FAN WHICH WOULD CAUSE UNSAFE OPERATION.

ABNORMAL FLARE-UP TEST

EXHAUST FAN MUST OPERATE CONTINUOUSLY WHILE EXHAUSTING BURNING GREASE VAPORS AT 600°F (316°C) FOR A PERIOD OF 15 MINUTES WITHOUT THE FAN BECOMING DAMAGED TO ANY EXTENT THAT COULD CAUSE AN UNSAFE CONDITION.

OPTIONS
GREASE BOX

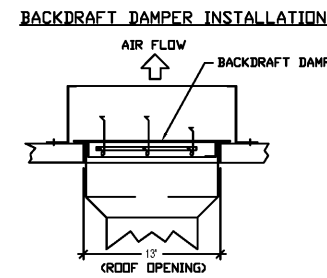


FEATURES:

- DIRECT DRIVE CONSTRUCTION (NO BELTS/PULLEYS)
- ROOF MOUNTED FANS
- UL705
- VARIABLE SPEED CONTROL
- INTERNAL WIRING
- WEATHERPROOF DISCONNECT
- THERMAL OVERLOAD PROTECTION (SINGLE PHASE)

OPTIONS

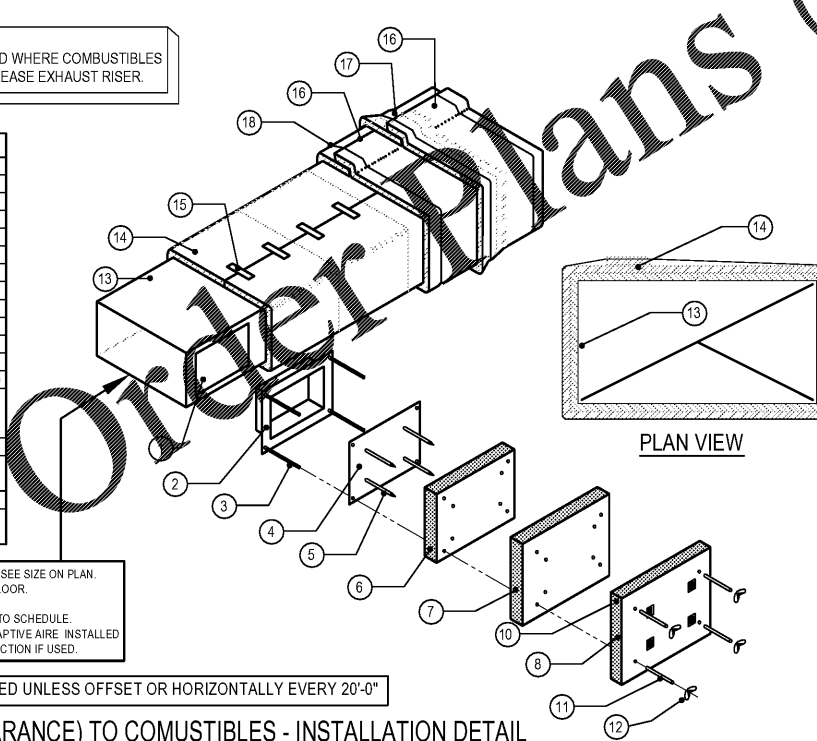
- 1 12-BDD DAMPER
- 20 GAUGE STEEL CONSTRUCTION
3" FLANGE
ROOF OPENING DIMENSIONS
13" x 13"
- PITCHED CURBS ARE AVAILABLE FOR PITCHED ROOFS.
SPECIFY PITCH EXAMPLE: 7/12 PITCH SLOPE



INSTALLATION NOTE:
FIRE WRAP SHALL ONLY BE USED WHERE COMBUSTIBLES ARE PRESENT WITHIN 18" OF GREASE EXHAUST RISER.

LEGEND

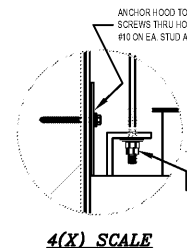
- DOOR HOLE
- ACCESS FRAME WELDED TO DUCT
- 1/4" DIA. ALL THREAD RODS
- ACCESS COVER: 16 GA.
- INSULATION PINS: WELDED
- 1 3M FIRE BARRIER 615 PLUS
- 1 3M FIRE BARRIER 615 PLUS 1" OVERLAP
- 1 3M FIRE BARRIER 615 PLUS 1" OVERLAP
- SPEED CLIPS
- ALUMINUM TAPE EDGES
- SPOOL PIECES FOR THREADED RODS
- 1/4" DIA. WING NUTS
- 16 GA. SHEET METAL DUCT (FULLY WELDED WATER TIGHT)
- 1ST LAYER 3M FIRE BARRIER DUCT WRAP 615 PLUS LONGITUDINAL JOINT BUTT OR MIN. 3" OVERLAP ON INNER LAYER, MIN. 3" OVERLAP ON OUTER LAYER
- 3/4" (19mm) WIDE FILAMENT TAPE
- 2ND LAYER 3M FIRE BARRIER DUCT WRAP 615 PLUS OR APPROVED EQUIVALENT
- 3" MINIMUM PERIMETER OVERLAP - TYP.
- STEEL BANDING 1/2" WIDE MIN. TYP. FOR PERMANENT FASTENING



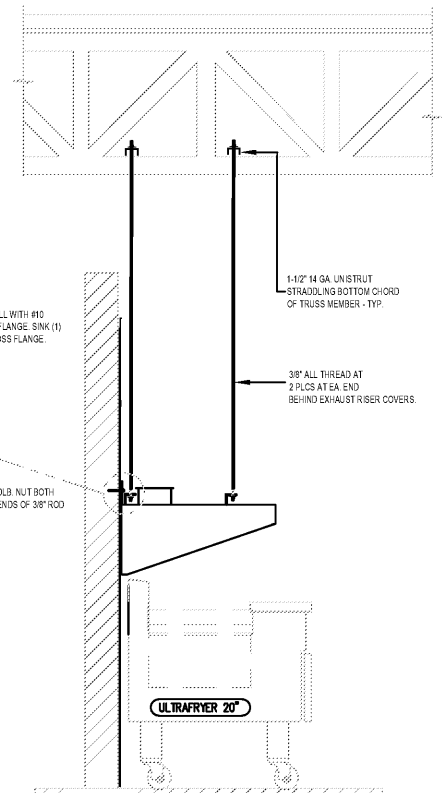
PLAN VIEW

NOTES:

- BANDING MATERIAL, 3/4" WIDE, MINIMUM 0.015" THICK, CARBON STEEL FOR CONSTRUCTION REQUIREMENTS OF ZERO CLEARANCE TO COMBUSTIBLES OR 1 HR. RATINGS. STAINLESS STEEL BANDING IS USED FOR 2 HR. REQUIREMENTS.
- 3M FIRE BARRIER DUCT WRAP 615+, 1-1/2" THICK, 24" OR 48" WIDE, 300' STANDARD LENGTH (2 LAYERS) 6 LBS PER CUBIC FT TO BE UTILIZED.
- HOLD INTERIOR WRAP OF INSULATION USING 1" WIDE FILAMENT TAPE (NO. 898) MANUFACTURED BY 3M COMPANY.
- SEAL CUT EDGES OF BLANKET WITH ALUMINUM FOIL TAPE.



4(X) SCALE



A HOOD HANGING/SUPPORT SCALE NTS

GENERAL NOTE:
CAPTIVE AIRE SHOWN AS BASIS OF DESIGN. NO SUBSTITUTIONS ALLOWED.

REVISIONS

NO.	DESCRIPTION	DATE

Ohio Selected Accounts

100 E. Campus View Blvd., Suite 250, Westerville, OH 43081 PHONE: (614) 879-7626 FAX: (614) 800-4534 EMAIL: tim.anderson@captiveaire.com
www.captiveaire.com

CAPTIVE AIRE

ARCHITECTURE ENGINEERING

LIS

LAND INVESTMENT SERVICES, LLC

2572 West State Road 428
Suite 2054, Orlando, FL 32705
Phone: (407) 244-8419
Facsimile: (407) 244-8419

POPEYES - Sailorman Prototype 2017

DATE: 3/28/2017

DWG.#: 2968716

DRAWN BY: tanders

SCALE: 3/4" = 1'-0"

MASTER DRAWING

SHEET NO.

ARCHITECTURE ENGINEERING

LIS

LAND INVESTMENT SERVICES, LLC

2572 West State Road 428
Suite 2054, Orlando, FL 32705
Phone: (407) 244-8419
Facsimile: (407) 244-8419

CLIENT NAME: SOUTHEASTERN RETAIL DEVELOPMENT, LLC
BLDG M-1, UNIT Z31
2050 COUNTY ROAD 30A
SANTA ROSA BEACH, FL 32459

PROJECT NAME: POPEYES
PLK 1930-28-DL SAILORMEN
501 N HWY 49
BRYCON, GA 31088

ROBERT W. CASE
GEORGIA PE #202694

RELEASE DATE

NO.	DATE
1	
2	
3	
4	
5	
6	

PROJECT NO: 2029-2885

ISSUE DATE: 05/07/20

DRAWN: CS CHECKED: CS

SHEET NO: M3.1

FAN & GREASE DUCT FIRE PROTECTION DETAILS

1 HR. FIRE WRAP ("0" CLEARANCE) TO COMUSTIBLES - INSTALLATION DETAIL
NOT TO SCALE

NOTE: NOT REQUIRED UNLESS OFFSET OR HORIZONTALLY EVERY 20'-0"