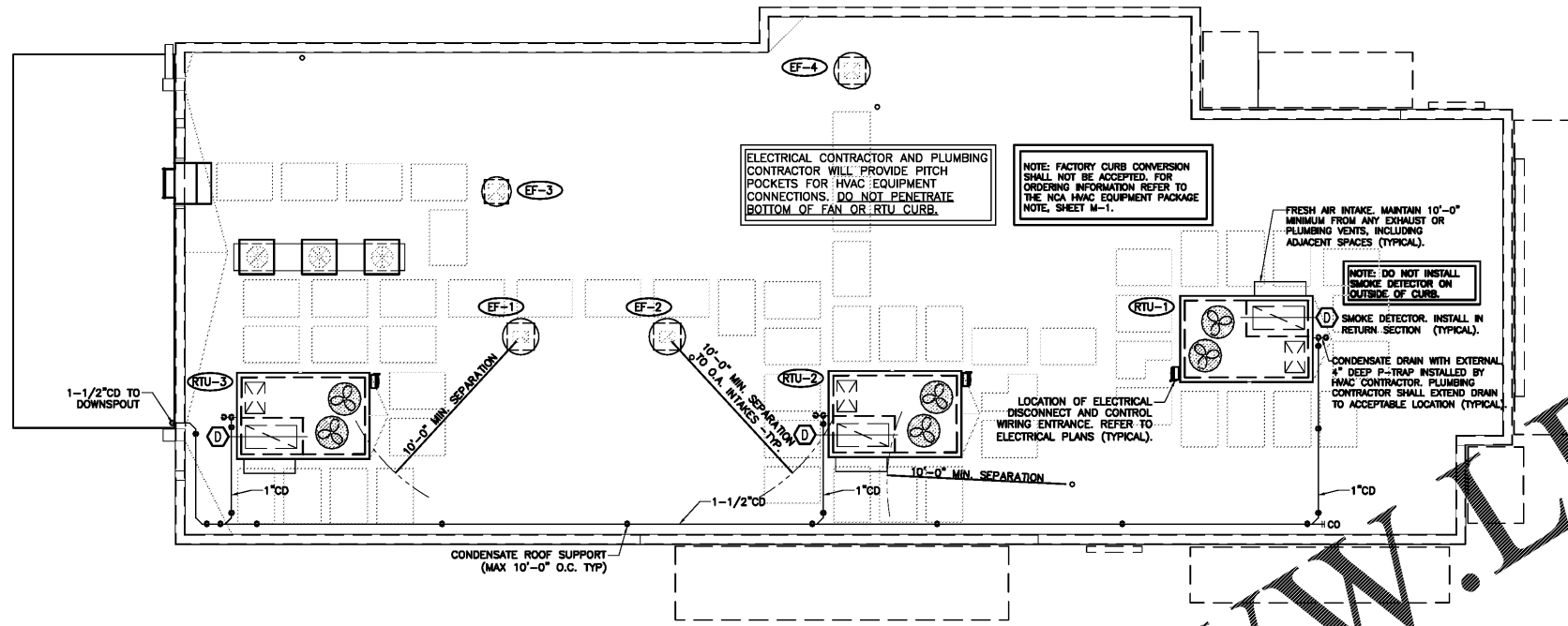


HVAC SYSTEM
N - C - A
CONSULTANTS / GROUP
NATIONAL CORPORATE ACCOUNT SERVICES, INC.

OWNERS SHOWN ARE FOR PROTOTYPAL CONSIDERATIONS ONLY. SITE-SPECIFIC DESIGN IS REQUIRED BY POPEYES LOUISIANA KITCHEN, INC. AS A CONTRACTOR. NCA CONSULTANTS PROVIDES SITE-SPECIFIC DESIGN WITH SITE-SPECIFIC PROFESSIONAL ENGINEER SEAL UNDER AN AGREEMENT BETWEEN NCA CONSULTANTS AND POPEYES LOUISIANA KITCHEN, INC.
FOR SITE-SPECIFIC DESIGN, ARCHITECTS SHALL REFLECTED CEILING PLAN, ELEVATIONS, KITCHEN PLAN, FLOOR PLAN, SITE PLAN, EXTERIOR ELEVATIONS, AND ROOF STRUCTURE PLAN TO DESIGNS@NCACONSULTANTS.COM
TO CONTACT THE NCA CONSULTANTS BY PHONE, CALL TOLL-FREE (877) 830-0078.

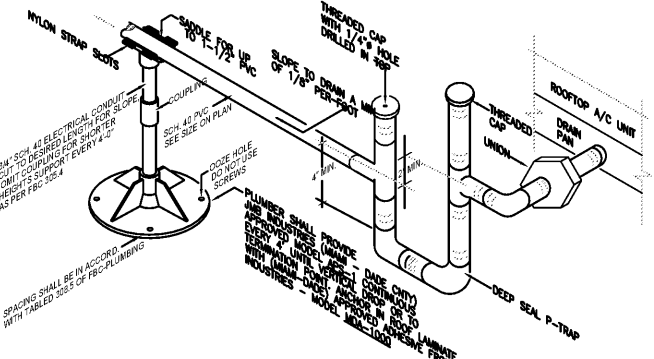
REVISION	DATE

NOT FOR CONSTRUCTION

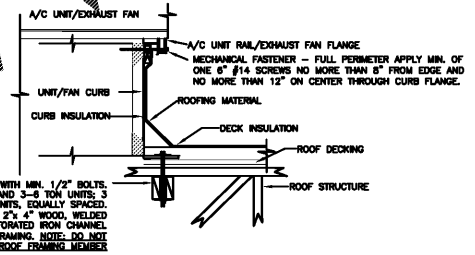


1 ROOF PLAN - HVAC
M2 1/4"=1'-0"

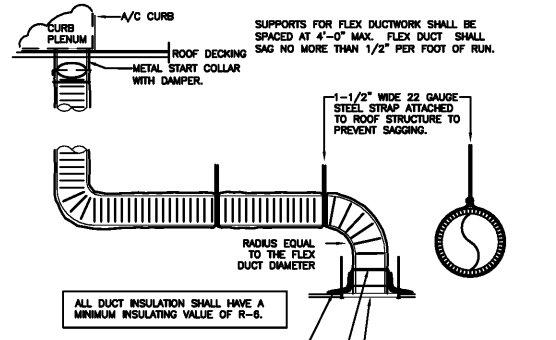
FACTORY CURB CONVERSION SHALL NOT BE ACCEPTED.
NCA PLENUMIZED AC CURB DETAIL
NOT TO SCALE



CONDENSATE P-TRAP & ROOF SUPPORT DETAIL
NOT TO SCALE



ACCEPTABLE FOR 140 MPH ZONE
ROOF EQUIP. CURB MOUNTING DETAIL
NOT TO SCALE



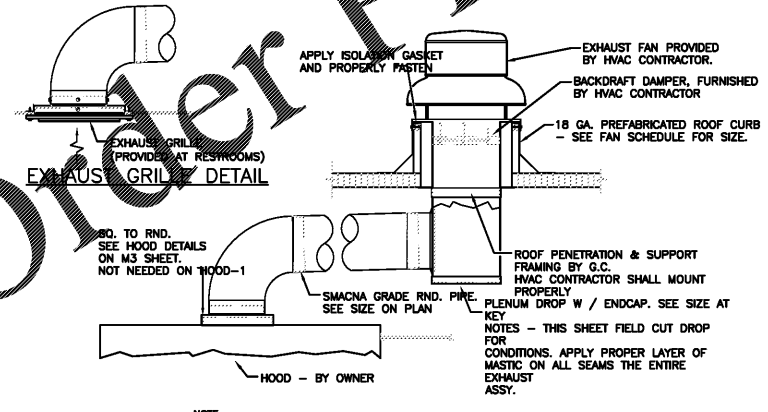
RIGID/FLEXDUCT CONNECTION/INSTALL DETAIL
NOT TO SCALE

DUCT SCHEDULE	
SIZE	GAUGE
8" - 8"	28
10" - 12"	28
14" - 18"	24
18" - 20"	22

NOTE: USE "FLEXIBLE DUCT" ONLY, NOT "FLEXIBLE CONNECTOR." IF LOCAL CODE LIMITS LENGTH OF FLEXIBLE DUCT, USE EXTERNALLY INSULATED SNAPLOCK PIPE TO FLEXIBLE DUCT, TO GRILLE/DIFFUSER

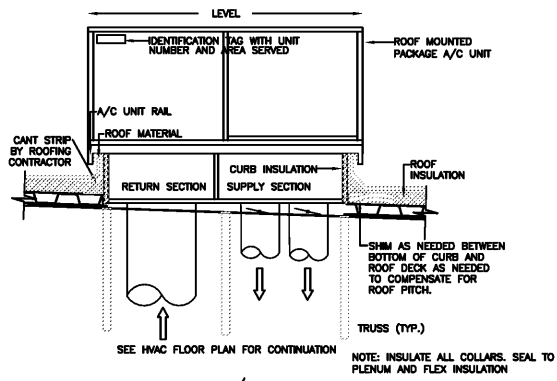
U.L. NON-ASBESTOS INSULATING BLANKET
BAND CLAMP AND TAPE
ALUMINUM DIFFUSER OR GRILLE AS SPEC.

DUCT SUPPORT
SUPPORT DUCTWORK WITH 1-1/2" WIDE 22 GAUGE STEEL STRAPS FIRMLY ATTACHED TO THE BUILDING STRUCTURE. SPACING SHALL BE MAXIMUM 10'-0" FOR RIGID DUCTWORK, AND MINIMUM 4'-0" FOR FLEXIBLE DUCTWORK. 12 GAUGE WIRE MAY BE SUBSTITUTED FOR STRIPS IF 1-1/2" WIDE 22 GAUGE STEEL SADDLES ARE USED TO FULLY ENCLOSE DUCT. REFER TO THE HVAC DUCT CONSTRUCTION STANDARDS PUBLISHED BY SMACNA FOR ADDITIONAL DETAILS. FULLY COMPLY WITH MECHANICAL CODES.



EXHAUST FAN DETAIL - HOOD / RESTROOM
NOT TO SCALE

NOTE: HVAC CONTRACTOR SHALL COORDINATE LOCATION AND SIZE OF ROOF OPENINGS WITH GENERAL CONTRACTOR. PREFABRICATED ROOF CURB FURNISHED AND INSTALLED BY HVAC CONTRACTOR



DUCT RISER/LEVELING DETAIL
NOT TO SCALE

Order Plans @ www.LDILine.com

2150 Palm Beach Blvd
Ave. FL 33400
Phone: (335) 983-8828
Facsimile: (335) 983-8829

**ARCHITECTURE
ENGINEERING**

LIS
LAND INVESTMENT SERVICES, LLC

2572 West State Road 428
Suite 2054, Oviedo, FL 32765
Phone: (407) 221-2449
Facsimile: (407) 221-2449

PROJECT NAME
SOUTHEASTERN RETAIL DEVELOPMENT, LLC
BLDG M-1, UNIT Z31
2050 COUNTY ROAD 30A
SANTA ROSA BEACH, FL 32459

CLIENT NAME
POPEYES
PLK 1930-28-DL SAILORMEN
501 N HWY 49
BRYAN, GA 31088

SHEET TITLE
HVAC ROOF PLAN & DETAILS

SEAL
ROBERT W. CASE
GEORGIA PE #020594

RELEASE	DATE
1	
2	
3	
4	
5	
6	

PROJECT NO.
2020-085

ISSUE DATE
05/07/20

DRAWN	CHECKED
CS	CS

SHEET NO.
M2
HVAC ROOF PLAN & DETAILS