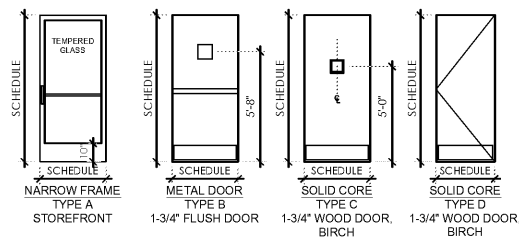
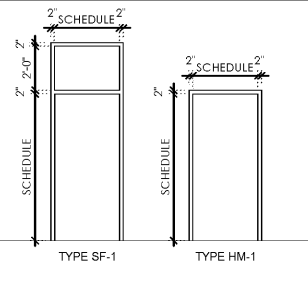


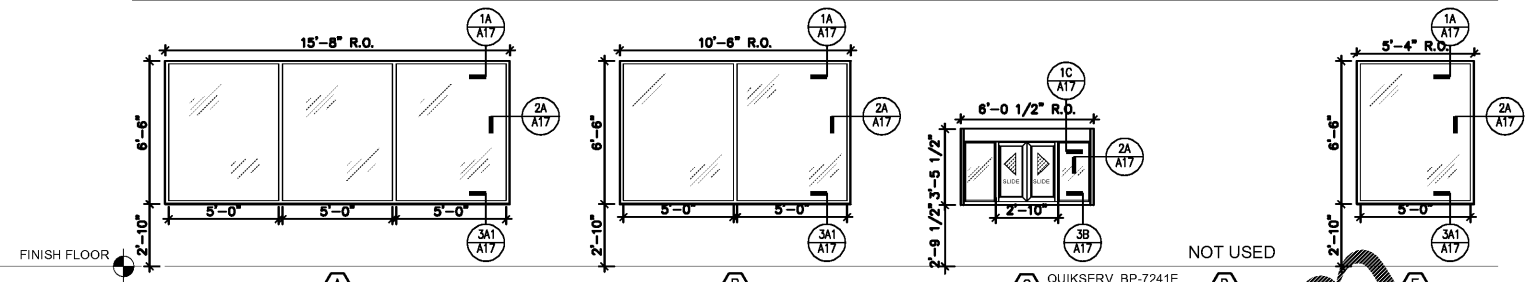
DOOR TYPES



FRAME TYPES



WINDOW TYPES



DOOR SCHEDULE				QUANTITY												FRAME DETAIL			REMARKS
MARK	SIZE	DOOR	FRAME	BUTTS	STOP	THRESH	CLOSER	LOCKSET	WEATHER-STRIPPING	LOUVERS	PANIC	KICKPLATE	VIEWER	PUSH/PULL	HDWR. SET	HEAD	JAMB	SILL / THRESH.	
1	3'-0\"/>																		

REMARKS:
 AA: TO BE USED WHEN HURRICANE RATING IS REQUIRED: YKKAP - FRAME: YES 45F-S FL12926.R2 / DOOR: 20D FL5851.R5
 BB: TO BE USED WHEN HURRICANE RATING IS REQUIRED: CECO - FRAME: ZHDL R27576 / DOOR ZHCW R27575, FL 4553.R10
 CC: ASA ASTRIGAL ON RIGHT DOOR, PASSAGE HANDLE/SET ON LEFT - FLUSH BOLT ON INACTIVE LEAF

HARDWARE SET NO. 1: (LOCKNET SERIES DOOR PACKAGE)

DOOR FRAME & HARDWARE INCLUDING VISION PANEL W/ FLAP CONTINUOUS HINGE HEAVY DUTY CLOSER AND PANIC HARDWARE ORDERED THROUGH LOCKNET (800) 887-4307. COORDINATE WITH SECURITY VENDOR OR PROVIDE DETEX PUSH BAR
 1 EA 3'-6\"/>

HARDWARE SET NO. 2: (BY YKK AP AMERICA INC.)

DOORS AND FRAMES
 QTY PART # FINISH MODEL DESCRIPTION
 1 49111DOR YBSN YKK AP #20D 3' x 7' O.P. OFFSET PIVOTS, HBR RH
 1 92115TR YBSN 2' x 4'-1/2\"/>

HARDWARE SET NO. 3:

1-1/2 PR. HINGES MCKINNEY BEARING HINGES, 4-1/2\"/>

HARDWARE SET NO. 4:

1-1/2 PR. HINGES MCKINNEY BEARING HINGES, 4-1/2\"/>

HARDWARE SET NO. 5:

INACTIVE LEAF MANUAL FLUSH BOLTS, TOP AND BOTTOM, HAGER 262D, 26D
 ACTIVE LEAF SCHLAGE FIVE-LABELS-26, PASSAGE LOCKSET

NOTES:

- DOOR AND FRAME SHALL BE FULLY ASSEMBLED AND ALL HARDWARE SHALL BE INSTALLED BY SKILLED CRAFTSMEN AT THE FACTORY AND THE UNIT DELIVERED TO THE JOB SITE READY FOR INSTALLATION. THE DOOR, HARDWARE AND THE HARDWARE INSTALLATION SHALL CARRY A MANUFACTURER'S 14 MONTH WARRANTY W/ 24 HOUR SERVICE. (TOLL FREE NUMBER TO BE DISPLAYED ON DOOR)
- H4101 FLUSH BOLT ON INACTIVE LEAF OF PAIR ONLY.

SPECIFICATIONS:
 DIVISION 8: DOORS, WINDOWS AND GLASS

- SECTION 8B: INTERIOR WOOD CORE DOORS AND FRAMES
 GENERAL PROVISIONS
 1. SCOPE: FURNISH AND INSTALL ALL INTERIOR WOOD CORE DOORS AND RELATED ALUMINUM FRAMES. REFER TO NATIONAL ACCOUNT DIRECTORY.
- MATERIALS
 1. DOORS ARE WOOD CORE SOLID DOORS. SEE DOOR SCHEDULE FOR SIZE, MATERIAL, HARDWARE, AND FINISH. FRAMES SHALL BE HOLLOW METAL AND FINISHED PER FINISH SCHEDULE.
 2. SEE HARDWARE SCHEDULE FOR HARDWARE AND MANUFACTURERS.
 3. SEE SECTION 10A FOR TOILET STALL DOORS WHERE APPLICABLE.
- PERFORMANCE
 1. INSTALLATION: INSTALL IN ACCORDANCE WITH MANUFACTURER'S INSTRUCTIONS. CAULK AROUND ABUTTING EDGES WITH CLEAR SILICONE.

SECTION 8C: STEEL DOORS AND FRAMES

- GENERAL PROVISIONS
 1. SCOPE: THE GENERAL CONDITIONS, SUPPLEMENTARY CONDITIONS, AND APPLICABLE PORTIONS OF DIVISION 1 OF THE SPECIFICATIONS ARE PART OF THIS SECTION.
 FURNISH AND INSTALL ALL STEEL DOORS AND FRAMES, COMPLETE WITH JAMB ANCHORS.
- MATERIALS
 1. DOORS AND FRAMES BY PIONEER INDUSTRIES, INC., STEELCRAFT, OR CECO.
- DOOR FRAMES SHALL BE OF 16 GAUGE COLD ROLLED STEEL. THEY SHALL BE WELDED AT CORNERS. FRAMES SHALL BE FURNISHED FACTORY-PRIME AND SHALL HAVE THREE (3) 1/2\"/>

DOOR & HARDWARE NOTES

- HARDWARE SUPPLIER TO VERIFY STATE/LOCAL HANDICAPPED REQUIREMENTS FOR EXIT HARDWARE.
- COMPLETE SUBMITTALS ARE REQUIRED FOR APPROVAL PRIOR TO ANY ORDERING OR WORK.
- ALL DOOR HARDWARE MUST HAVE A SHAPE THAT IS EASY TO GRASP WITH ONE HAND AND DOES NOT REQUIRE TWO-HAND GRASPING, TIGHT PINCHING, OR TWISTING OF THE WRIST TO OPERATE.
- FUNCTIONAL HARDWARE IS REQUIRED BY CODE. G.C. TO FURNISH AND INCLUDE PRICE ON BID.
- SEAL BOTTOM OF WOOD DOORS.

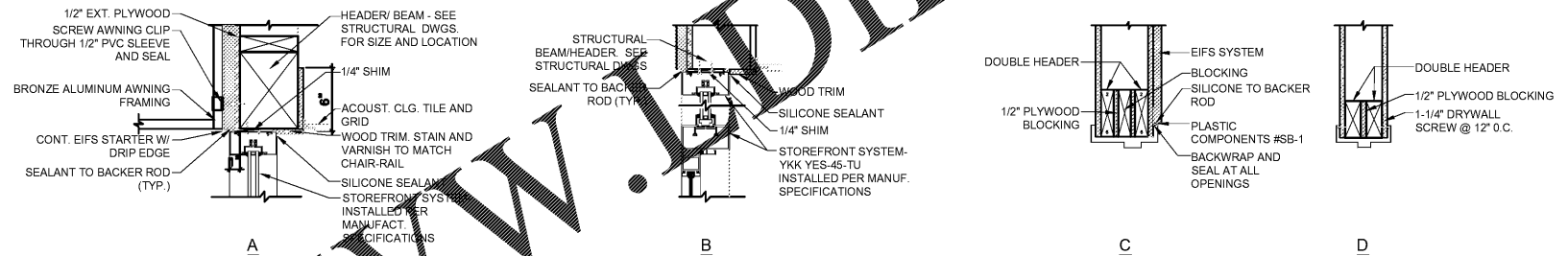
DRIVE THRU SPECIFICATIONS

- DRIVE THRU WINDOW - QUIKSERV
 MODEL # BP-7241E - STANDARD INSTALLATION
 MODEL # BP-7241E-IP - HIGH WIND ZONE AS DETERMINED BY THE LOCAL BUILDING CODE
- GENERAL NOTES:
 ACTUAL DIMENSIONS: 72\"/>

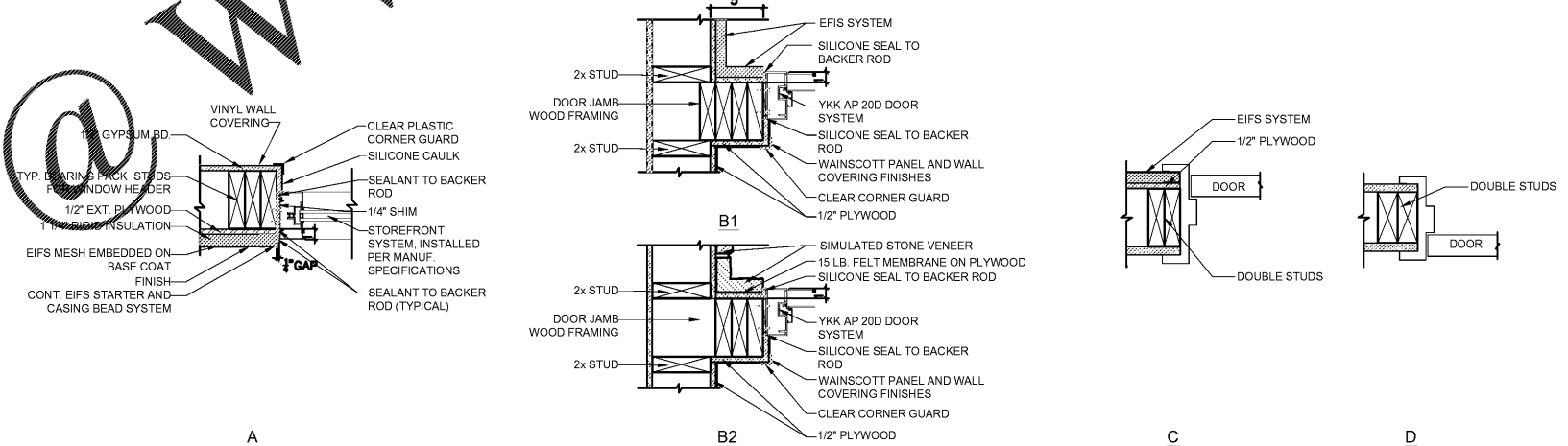
WINDOW SCHEDULE										
KEY	SIZE		SERIES	MFR.	MODEL	GLAZING		FRAME		REMARKS
	WIDTH (R.O.)	HEIGHT (R.O.)				TEMPERED	DESCRIPTION	PROFILE	MATERIAL	
A	15'-8"	6'-6"	YKK AP	YES	45F-S	TEMP.	1\"/>			

STOREFRONT NOTES:

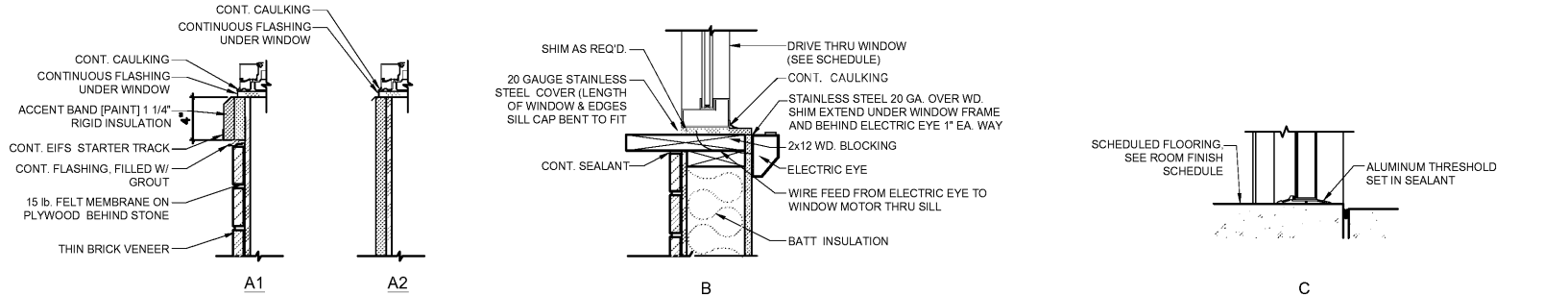
TO UTILIZE HURRICANE RATED FRAMES AND GLAZING AS REQUIRED FOR STOREFRONT FRAME SYSTEM-YES 45 FS, 2\"/>



1 DOOR / WINDOW HEAD DETAIL
 Scale: 1-1/2\"/>



2 DOOR / WINDOW JAMB DETAIL
 Scale: 1-1/2\"/>



3 WINDOW SILL / THRESHOLD DETAIL
 Scale: 1-1/2\"/>

Order Plans

LIS
 ARCHITECTURE
 ENGINEERING

ARCHITECT ENGINEER
 LAND INVESTMENT SERVICES, LLC

21630 Palm Beach Blvd
 Avon, FL 32003
 Phone: (321) 244-9419
 Facsimile: (321) 983-9829

SOUTHEASTERN RETAIL DEVELOPMENT, LLC
 BLDG M-1, UNIT 231
 2030 COUNTY ROAD 30A
 SANTA ROSA BEACH, FL 32459

POPEYES
 PLK 1930-28-DL SAILORMEN
 501 N HWY 49
 BRYAN, GA 31088

HAROLD DANIEL HUTTER III
 GEORGIA REG. RA015047

PROJECT NO:
2020-085

ISSUE DATE:
05/07/20

DRAWN: **GM** | CHECKED: **HDH**

SHEET NO:
A17
 DOOR & WINDOW
 SCHEDULES, ELVs. &
 DETAILS

LIS EXPRESSLY RESERVES ITS COPYRIGHT AND ALL OTHER PROPERTY RIGHTS TO THESE DOCUMENTS AND THEIR DESIGN. HENCE, THEY ARE NOT TO BE REPRODUCED.