

RELEASE	DATE
1	
2	
3	
4	
5	
6	

PROJECT NO.
2020-085

ISSUE DATE
05/07/20

DRAWN
GM

CHECKED
HDH

SHEET NO.
A14

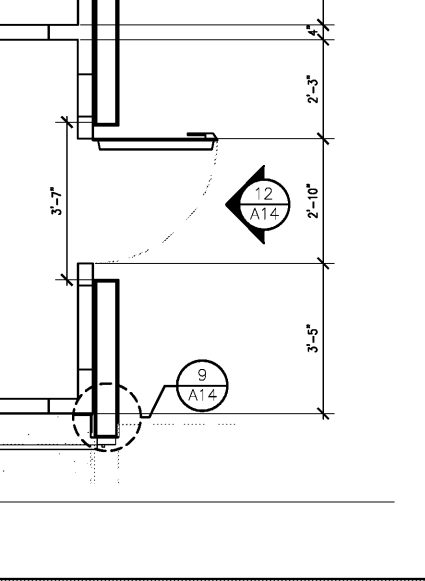
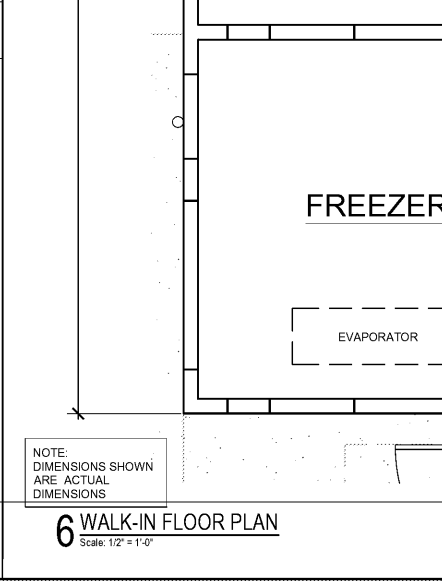
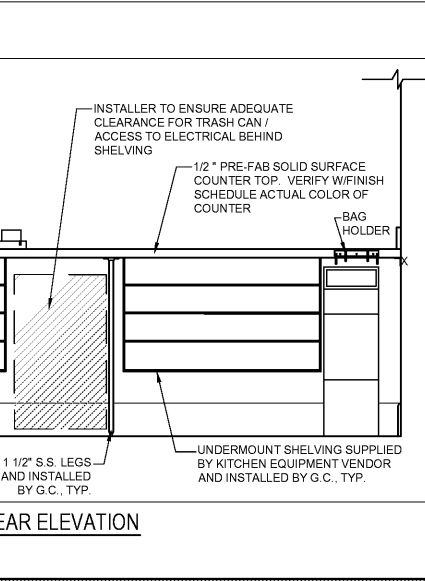
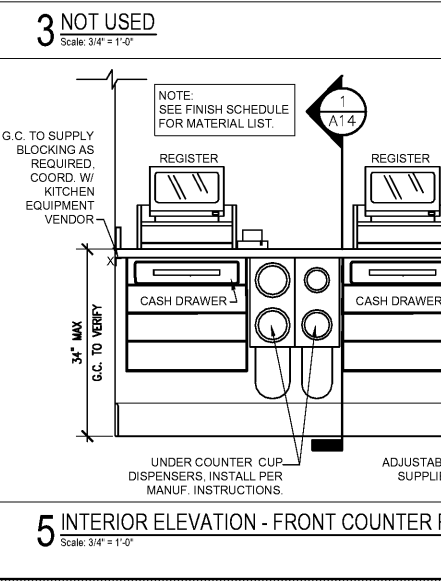
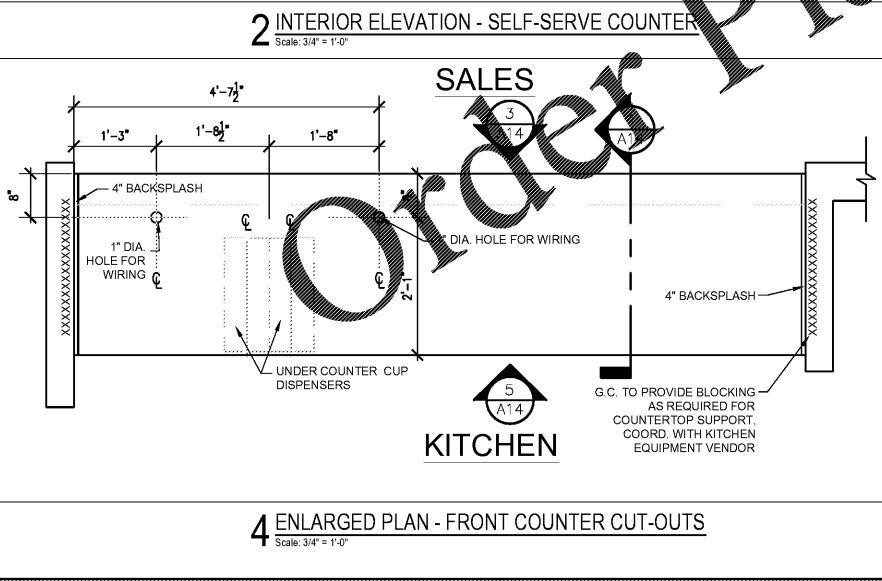
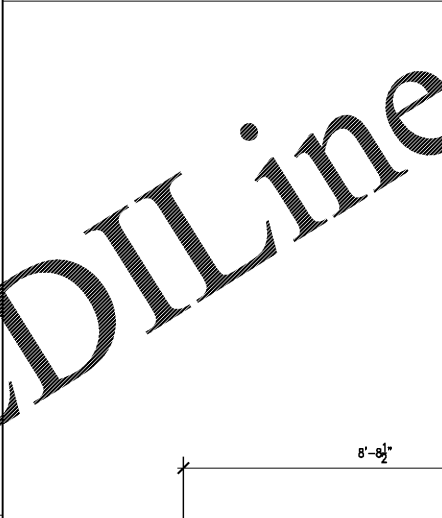
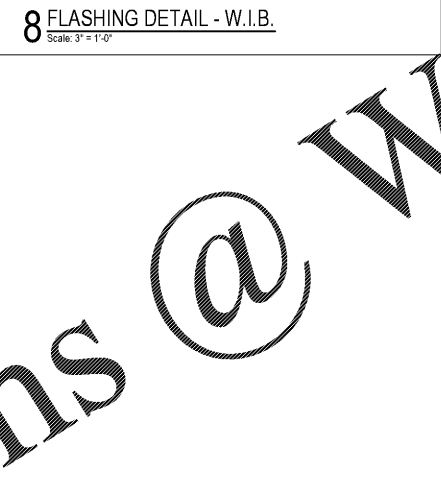
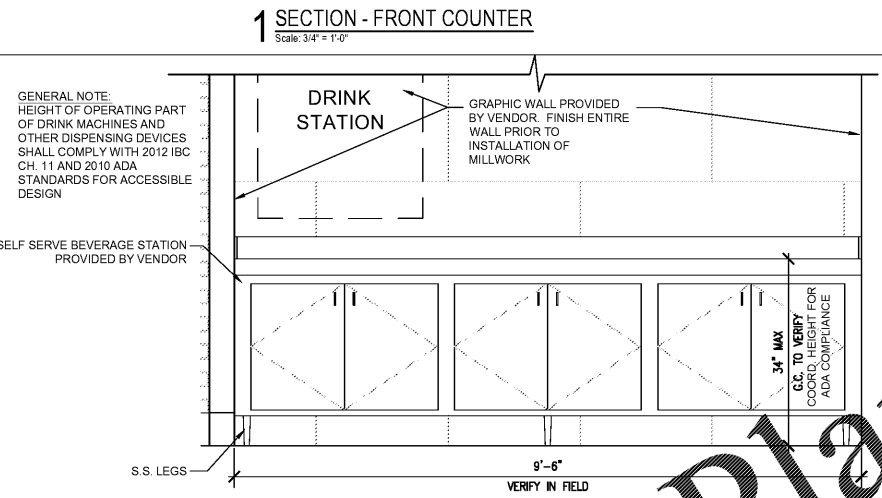
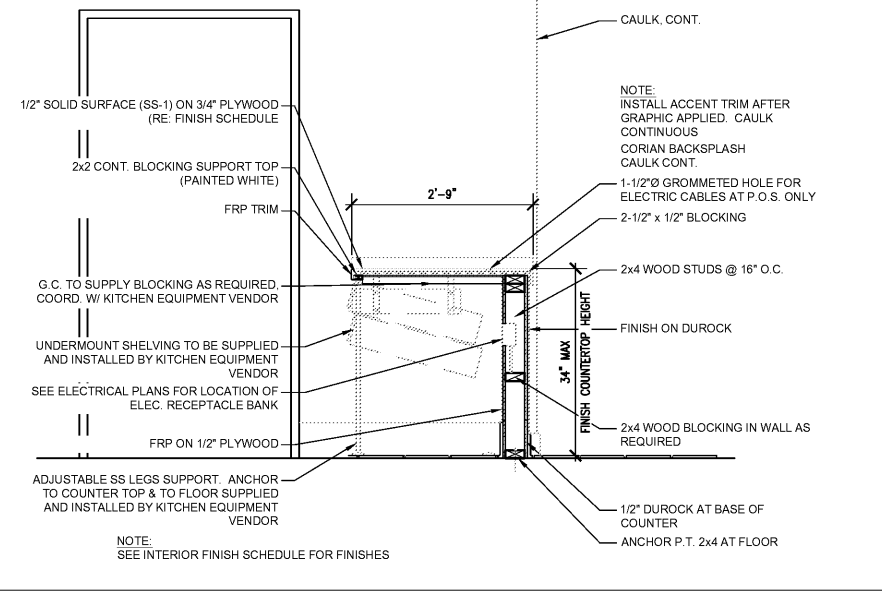
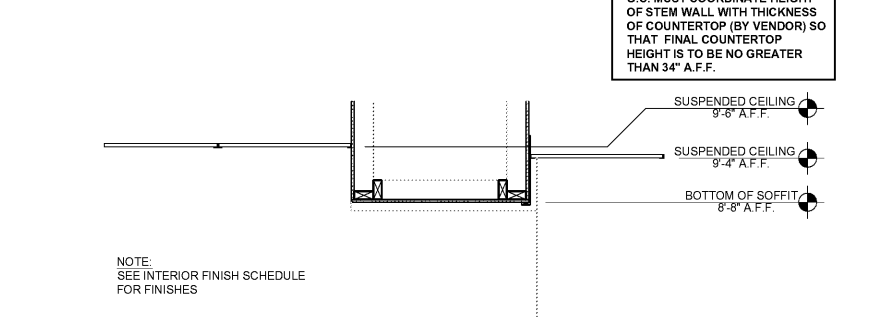
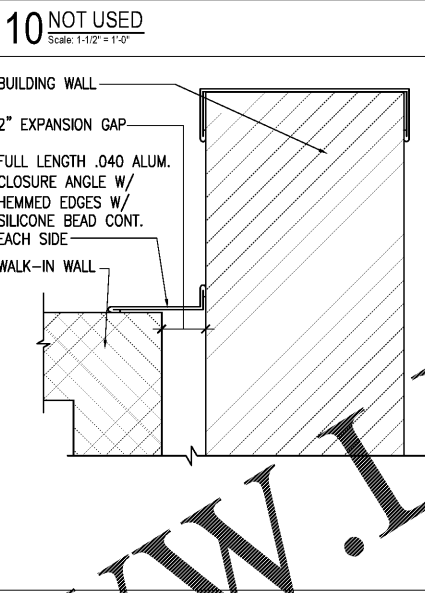
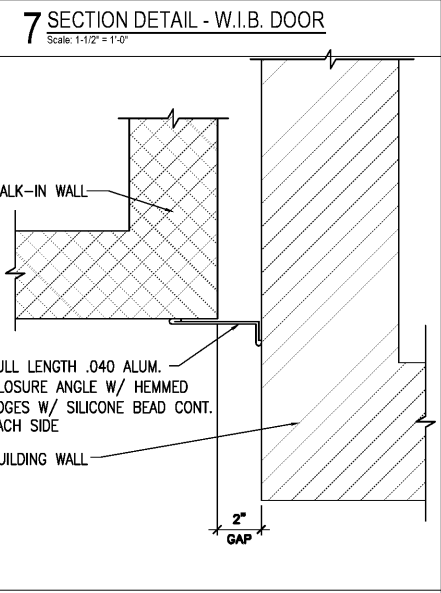
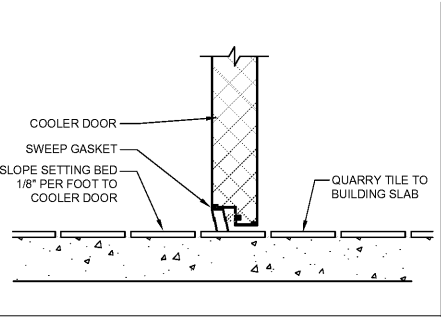
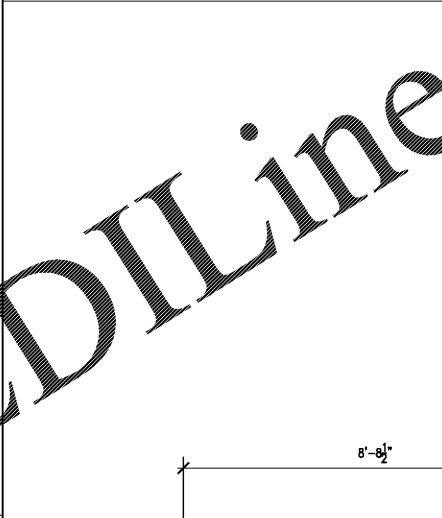
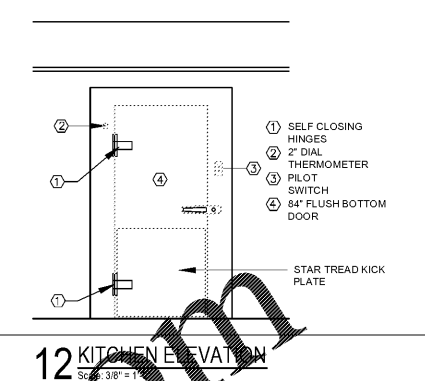
COOLER & COUNTER SECTIONS & DETAILS

NOTE:
SEE SHEET S-1 FOR FOUNDATION DETAILS AND ADDITIONAL NOTES. G.C. TO COMPLY WITH ALL W.I.B. MANUFACTURER RECOMMENDATIONS FOR PREPARATION AND INSTALLATION OF W.I.B. SLAB.

COOLER REFRIGERATION SHALL BE SIZED TO MAINTAIN 34 DEG. F. FREEZER REFRIGERATION SHALL BE SIZED TO MAINTAIN -10 DEG. F. WALK-IN COOLER SHALL BE PROVIDED WITHOUT FLOOR. WALK-IN FREEZER SHALL BE PROVIDED WITH 4" INSULATED FLOOR AND INTERIOR RAMP AT DOOR.

THE WALK-IN MANUFACTURER WILL PROVIDE:
1) THE WALK-IN COOLER & FREEZER
2) REFRIGERATION EQUIP. SIZED TO MEET POPEYES REQUIREMENTS, FACTORY ASSEMBLED AND WITH LOW AMBIENT CONTROLS, INCLUDING ALL WIRING, REFRIGERATION PIPING, W/ REMOTE UNITS MOUNTED ON S.S. RAILS LOCATED ON THE ROOF, AND READY FOR FINAL CONNECTION TO ALL NECESSARY UTILITIES.
3) DELIVERY OF THE BOXES
4) FLASHING KITS AS NOTED
5) CONTRACTOR TO INSTALL WALK-IN BOX AND REFRIG.

IT SHALL BE THE RESPONSIBILITY OF THE G.C. TO CONTACT WALK-IN BOX PROVIDER AND OBTAIN A COPY OF THE SHOP DRAWINGS FOR THIS PROJECT PRIOR TO ROUGH IN OF UTILITIES FAILURE TO OBTAIN SHOP DRAWINGS PRIOR TO ROUGH IN WILL NOT RESULT IN EXTRA CHARGES TO THE OWNER FOR RELOCATION OF UTILITIES.



LIS EXPRESSLY RESERVES ITS COPYRIGHT AND ALL OTHER PROPERTY RIGHTS TO THESE DOCUMENTS AND THEIR DESIGN. HENCE, THEY ARE NOT TO BE REPRODUCED.

Order Plans @ WWW.LDILine.com