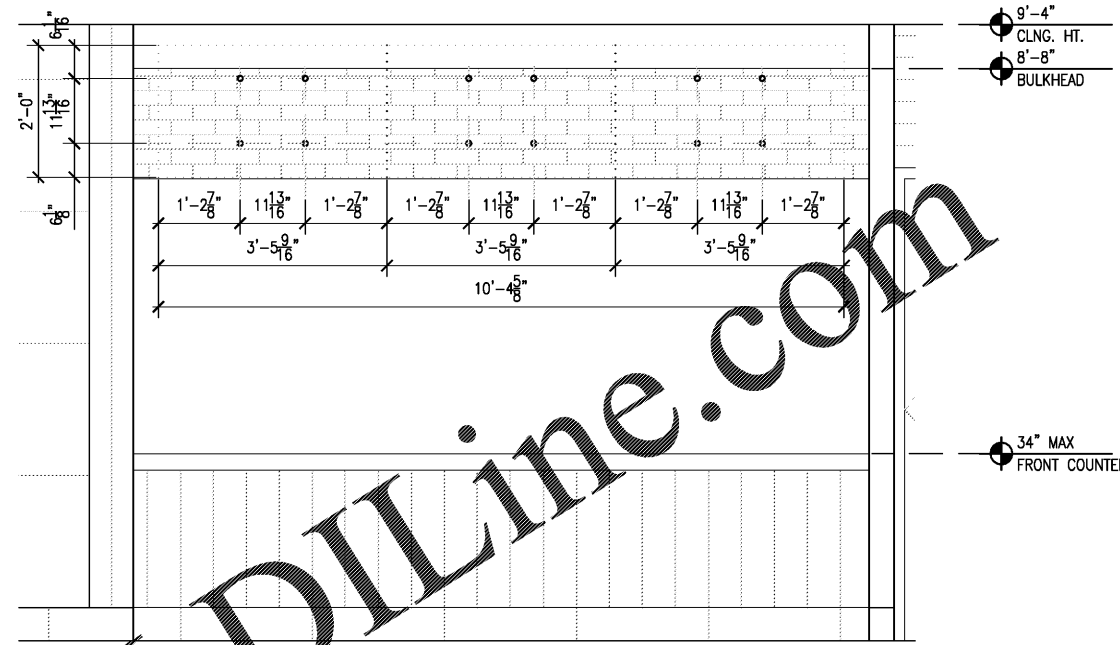
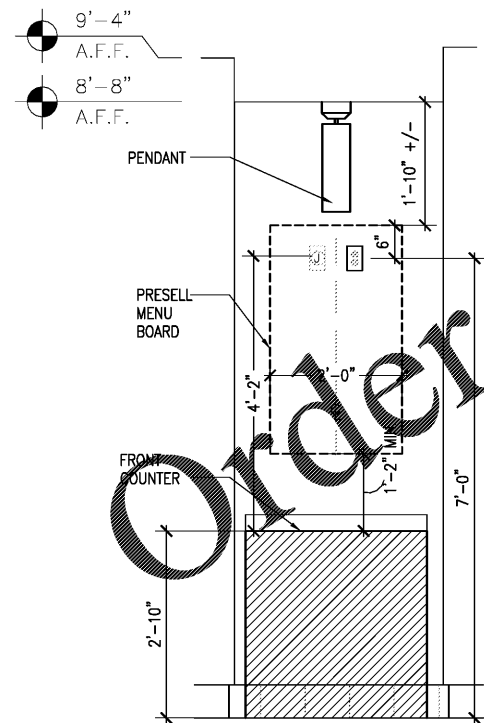


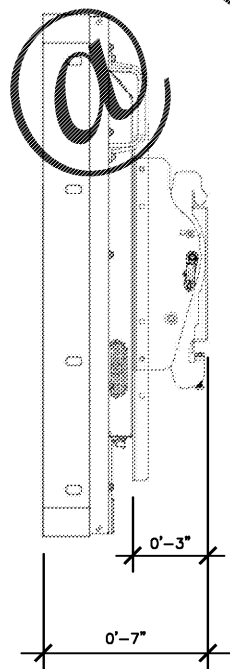
1 DIGITAL MENUBOARD ELECTRICAL RECEPTACLE LOCATIONS
Scale: 3/4" = 1'-0"



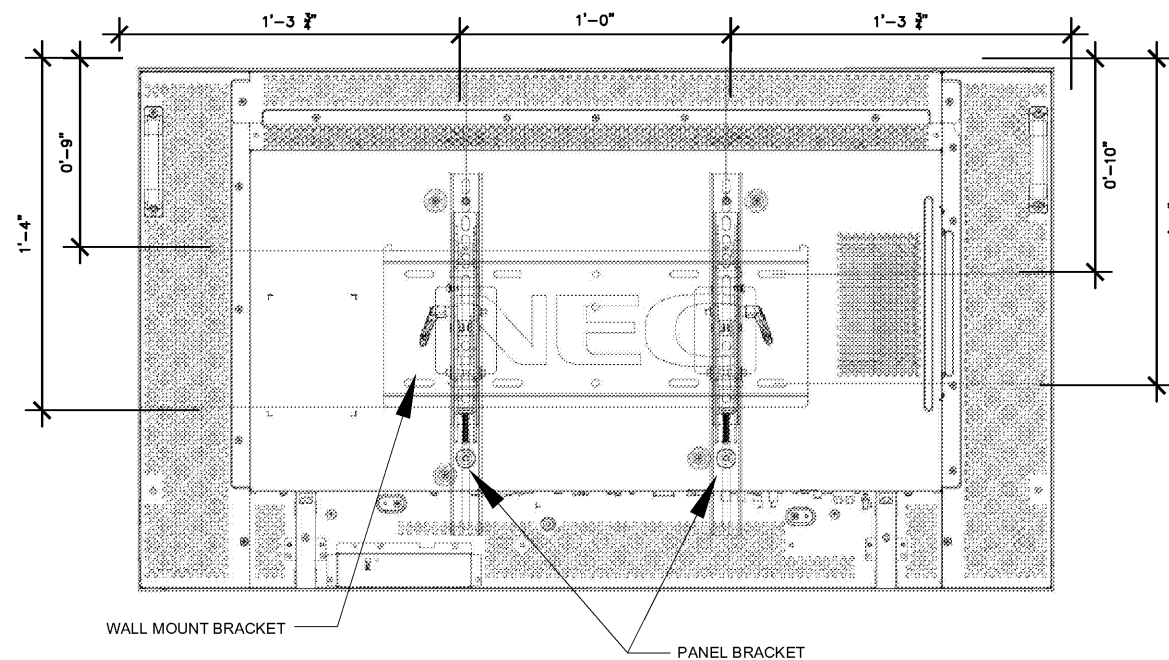
2 DIGITAL MENUBOARD MOUNTING HOLE LOCATIONS
Scale: 3/4" = 1'-0"



3 PRE-SALE BOARD ELEVATION (@ FRONT COUNTER)
Scale: 3/4" = 1'-0"



4 MOUNTING BRACKET DETAIL (SIDE/REAR)
N.T.S.



* FOR REFERENCE ONLY

WWW.LDILine.com

LIS ARCHITECTURE ENGINEERING
LAND INVESTMENT SERVICES, LLC
2160 Palm Beach Blvd
Apt. FL 33500
Pine Bluff, AR 71601
Phone: (501) 938-8828
Facsimile: (501) 938-8829

CLIENT NAME
SOUTHEASTERN RETAIL DEVELOPMENT, LLC
BLDG M-1, UNIT Z31
2050 COUNTY ROAD 30A
SANTA ROSA BEACH, FL 32459

PROJECT NAME
POPEYES
PLK 1930-28-DL SAILORMEN
501 N HWY 49
BIRON, GA 31008

SHEET TITLE
DIGITAL MENUBOARD ELEVATIONS

LIS EXPRESSLY RESERVES ITS COPYRIGHT AND ALL OTHER PROPERTY RIGHTS TO THESE DOCUMENTS AND THEIR DESIGN, HENCE, THEY ARE NOT TO BE REPRODUCED.

HAROLD DANIEL HUTTER III
GEORGIA REG. RA015047

RELEASE	DATE
1	
2	
3	
4	
5	
6	

PROJECT NO.
2020-085

ISSUE DATE
05/07/20

DRAWN
KB

CHECKED
KB

SHEET NO.
A12A
DIGITAL MENUBOARD ELEVATIONS