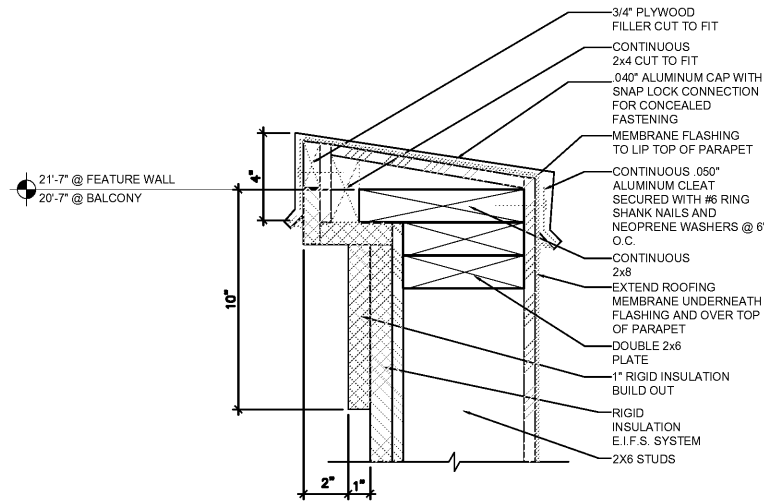
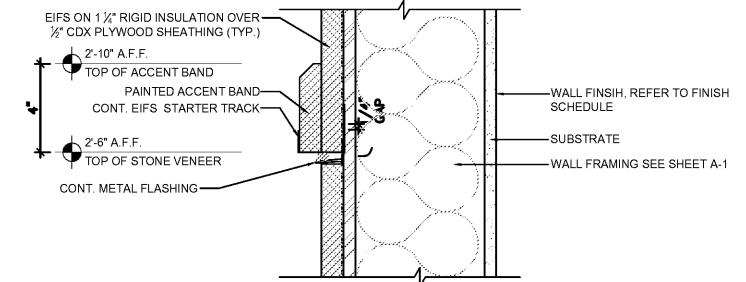


1 SECTION DETAIL - PARAPET
Scale: 3/4"=1'-0"

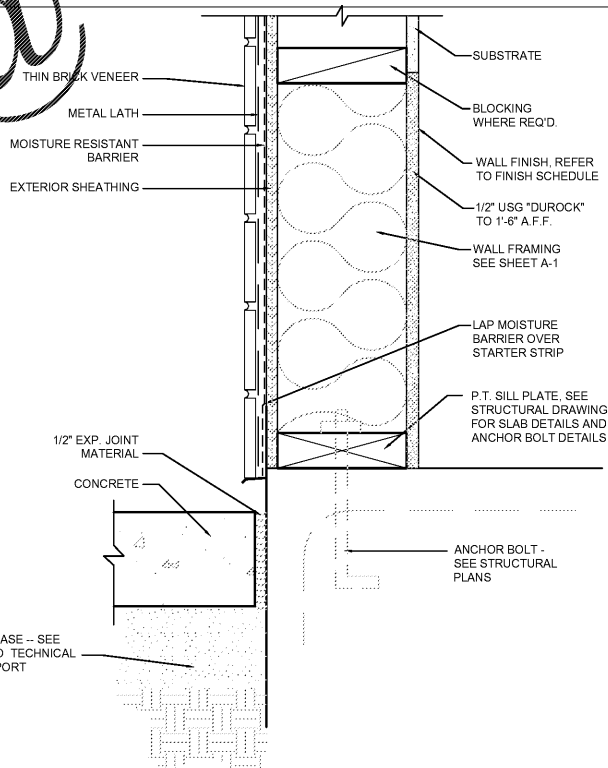


2 SECTION DETAIL - PARAPET
Scale: 3/4"=1'-0"

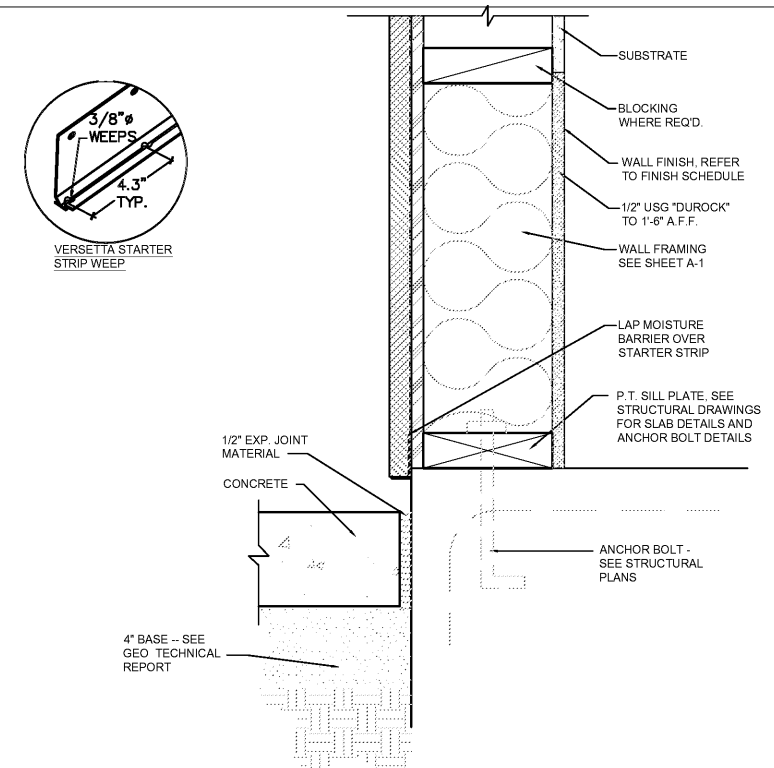
3 NOT USED
Scale: 3/4"=1'-0"



4 SECTION DETAIL - STONE VENEER
Scale: 3/4"=1'-0"



5 SECTION DETAIL - BOTTOM OF WALL (THIN BRICK)
Scale: 3/4"=1'-0"



6 SECTION DETAIL - BOTTOM OF WALL (EIFS)
Scale: 3/4"=1'-0"

Order Plans @ www.LDILine.com

ARCHITECTURE
ENGINEERING
LIS
LAND INVESTMENT SERVICES, LLC
2150 Palm Beach Blvd
Apt. FL 33500
Pine Bluff, AR 71601
Phone: (501) 938-8829
Facsimile: (501) 938-8828

CLIENT NAME
SOUTHEASTERN RETAIL DEVELOPMENT, LLC
BLDG M-1, UNIT Z31
2050 COUNTY ROAD 30A
SANTA ROSA BEACH, FL 32459



PROJECT NAME
POPEYES
PLK 1930-28-DL SAILORMEN
501 N HWY 49
BAYCON, CA 91088

SHEET TITLE
EXTERIOR DETAILS

HAROLD DANIEL HUTTER III
GEORGIA REG. RA015047

RELEASE	DATE
1	
2	
3	
4	
5	
6	

PROJECT NO.
2020-085

ISSUE DATE
05/07/20

DRAWN | CHECKED
GM | HDH

SHEET NO.
A10
EXTERIOR DETAILS

LIS EXPRESSLY RESERVES ITS COPYRIGHT AND ALL OTHER PROPERTY RIGHTS TO THESE DOCUMENTS AND THEIR DESIGN. HENCE, THEY ARE NOT TO BE REPRODUCED.