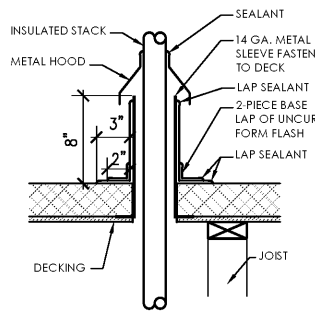


- ROOF PLAN NOTES:**
- WATERPROOFING:**
- A. PAINT UNDERSIDE OF PARAPET CAP FLASHING WITH FACTORY BONDED PAINT GRIP OR PRIMER
 - B. TOP NAILING AT PARAPET CAP FLASHING WILL NOT BE ACCEPTED
 - C. PENETRATIONS IN ROOFING MEMBRANE AND FLASHING SHALL ONLY BE MADE AS INDICATED ON THE DRAWINGS OR SPECS
 - D. ALL SHEET MTL FLASHING SHALL BE 22GA MIN.
- MISCELLANEOUS:**
- A. ROOF PENETRATIONS CLOSER THAN 12" FROM ANOTHER PENETRATION SHALL NOT BE ALLOWED
 - B. SEE DETAIL 3/A6 FOR PARAPET COPING DETAIL
- ROOF TOP UNITS:**
- A. ALL ROOF TOP UNITS, EXHAUST FANS AND CONDENSERS SHALL BE INSTALLED TO HEIGHT OF 42" ABOVE THE ROOF LINE OR PARAPETS NEED TO BE RAISED TO A MIN 42" ABOVE ROOF
 - B. G.C. TO ROUTE R.T.U. CONDENSATE TO THRU-PARAPET SCUPPERS

- KEY NOTES:**
- 1 COOLER/FREEZER CONDENSING UNITS (SEE MECHANICAL). INSTALLATION TO BE PROVIDED BY G.C.
 - 2 ICE MACHINE CONDENSING UNIT SUPPLIED BY MFR. INSTALLATION TO BE PROVIDED BY G.C.
 - 3 PRE-FINISHED METAL PARAPET CAP
 - 4 PRE-FINISHED THRU WALL SCUPPER AND 3" X 5' DOWNSPOUT. RUN DOWNSPOUT TO FINISH GRADE THEN OUT THRU FACE OF CURB
 - 5 NEW FINISHING BY SIGN VENDOR, G.C. TO PROVIDE SEALANT AT FLASHING
 - 6 SIGN VENDOR TO PROVIDE NEW WALL MOUNTED SIGN (COORDINATE ELECTRICAL WITH VENDOR)
 - 7 NEW DRIVE THRU PRE-FAB CANOPY AND RAILING
 - 8 LINE OF COOLER/FREEZER ROOF BELOW
 - 9 ROOF WALKPAD
 - 10 ROOFTOP MECHANICAL EQUIPMENT RACK PROVIDED AND INSTALLED BY G.C.
 - 11 PRE-FINISHED THRU WALL OVERFLOW SCUPPER TO BE 2" HIGHER THAN PRIMARY SCUPPER

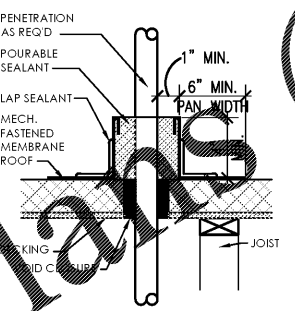
1 ROOF PLAN
Scale: 1/4"=1'-0"



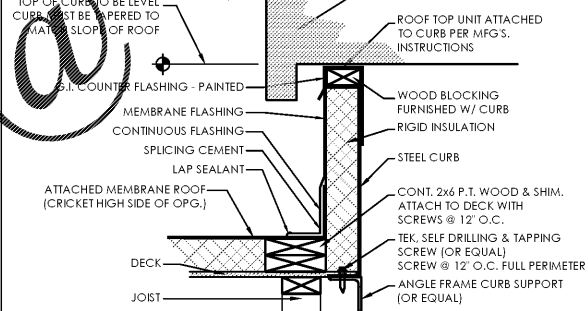
2 PIPING OR VENT FLASHING
Scale: 1-1/2"=1'-0"



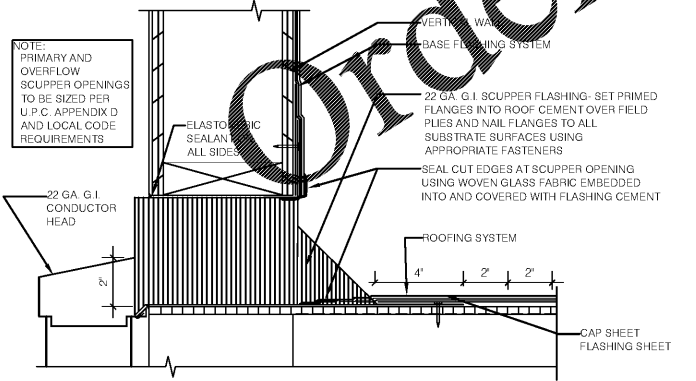
3 NOT USED
Scale: 1-1/2"=1'-0"



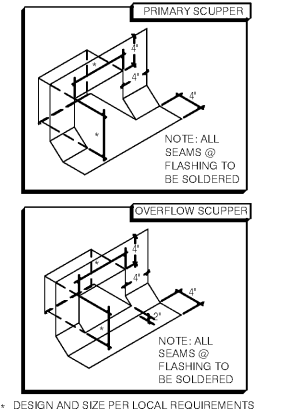
4 PITCH POCKET DETAIL
Scale: 1-1/2"=1'-0"



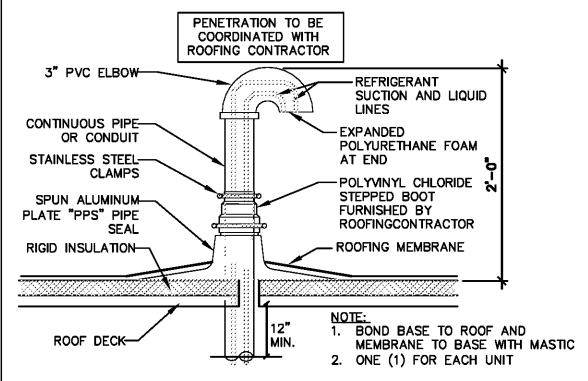
5 MECHANICAL CURB DETAIL
Scale: 1-1/2"=1'-0"



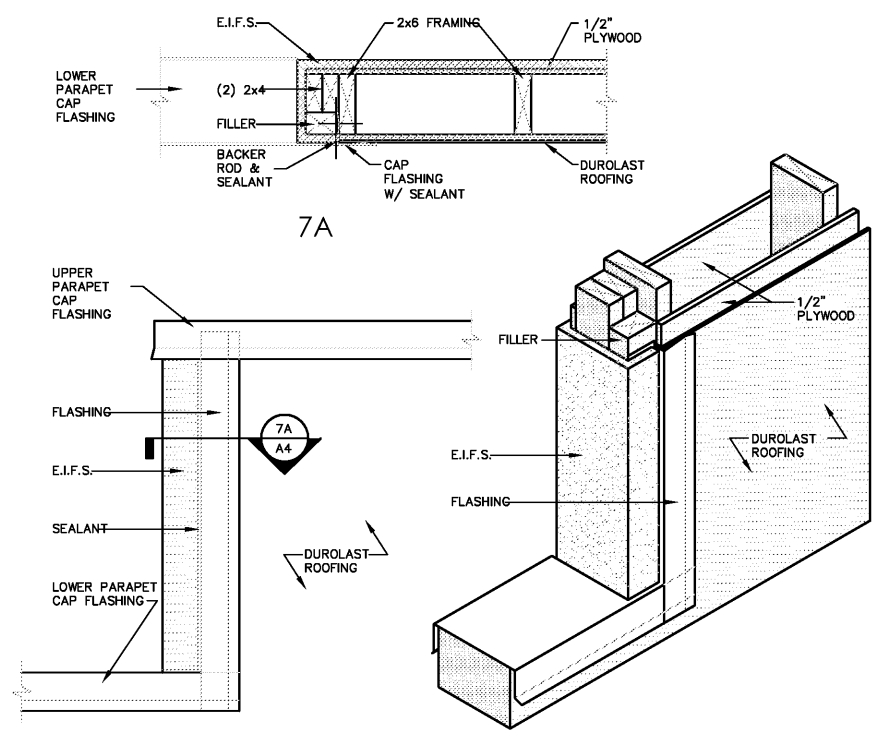
8 THRU-WALL SCUPPER
Scale: 1/4"=1'-0"



3 NOT USED
Scale: 1-1/2"=1'-0"



6 VENT/SWEEP ROOF PENETRATION DTL.
Scale: 3"=1'-0"



7 TYPICAL FRAMING DETAIL AT END OF PARAPET
Scale: 1-1/2"=1'-0"

ARCHITECTURE
ENGINEERING

LIS

LAND INVESTMENT SERVICES, LLC

21630 Palm Beach Blvd
Ave. FL 33420
Phone: (239) 983-8829
Facsimile: (239) 983-8829

CLIENT NAME
SOUTHEASTERN RETAIL DEVELOPMENT, LLC
BLDG M-1, UNIT Z31
2050 COUNTY ROAD 30A
SANTA ROSA BEACH, FL 32459



PROJECT NAME
POPEYES
PLK 1930-28-DL SAILORMEN
501 N HWY 49
BRYCON, CA 91088

DESIGNER
HAROLD DANIEL HUTTER III
GEORGIA REG. RA015047

RELEASE	DATE
1	
2	
3	
4	
5	
6	

PROJECT NO.
2020-085

ISSUE DATE
05/07/20

DRAWN
GM

CHECKED
HDH

SHEET NO.
A4
ROOF PLAN & DETAILS