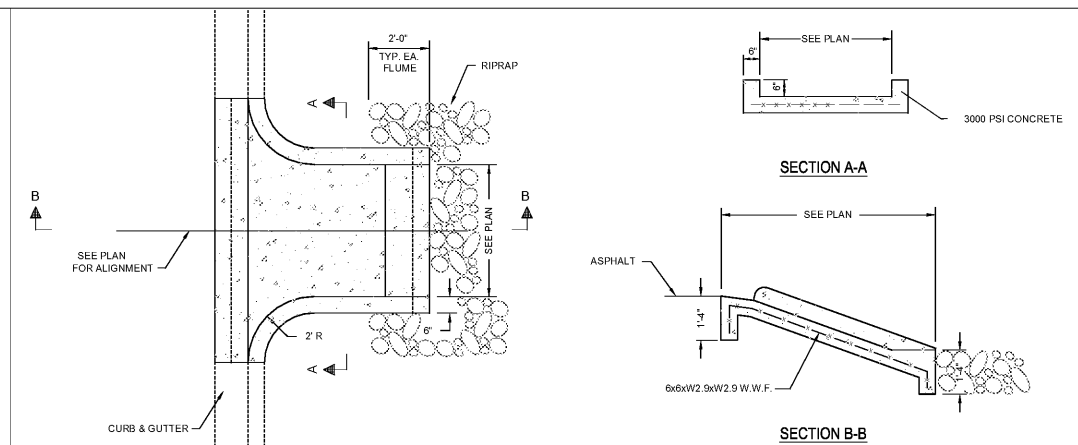
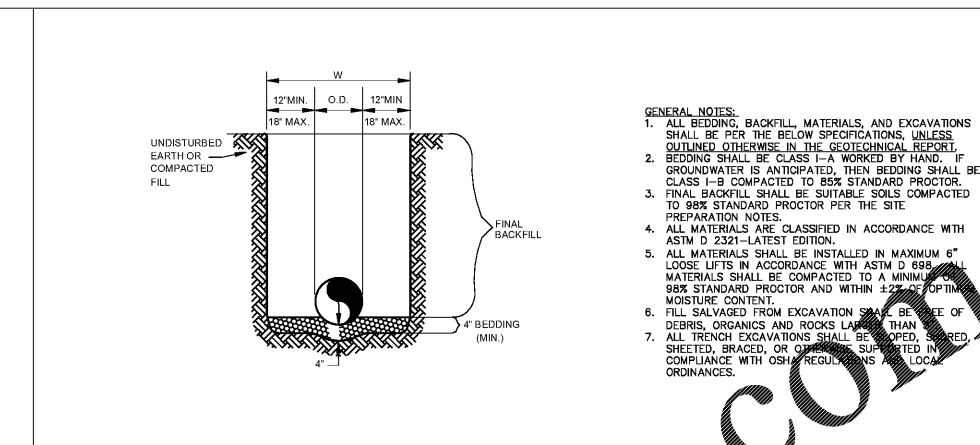


NOTE: ALL TRAFFIC FLOW DIRECTIONAL ARROWS TO BE REFLECTIVE WHITE PAINT.



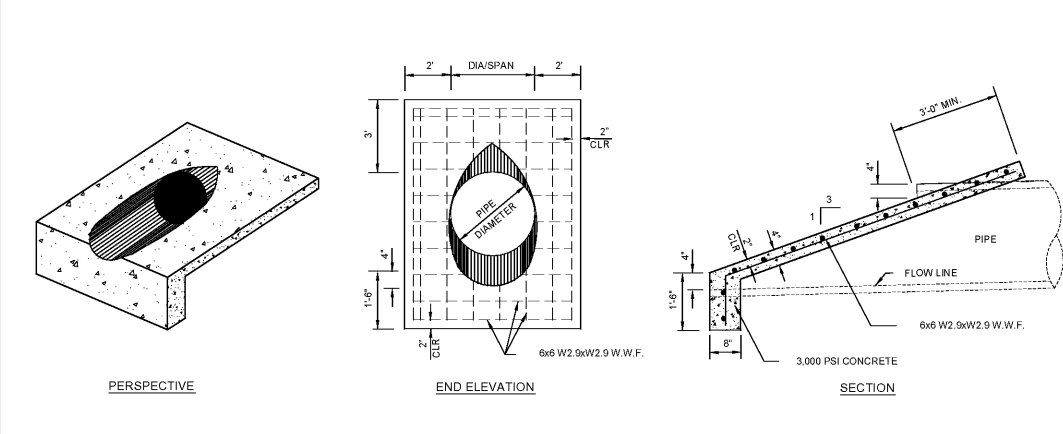
PAINTED DIRECTIONAL ARROW DETAIL N.T.S.

CONCRETE FLUME AT CURB DETAIL N.T.S.

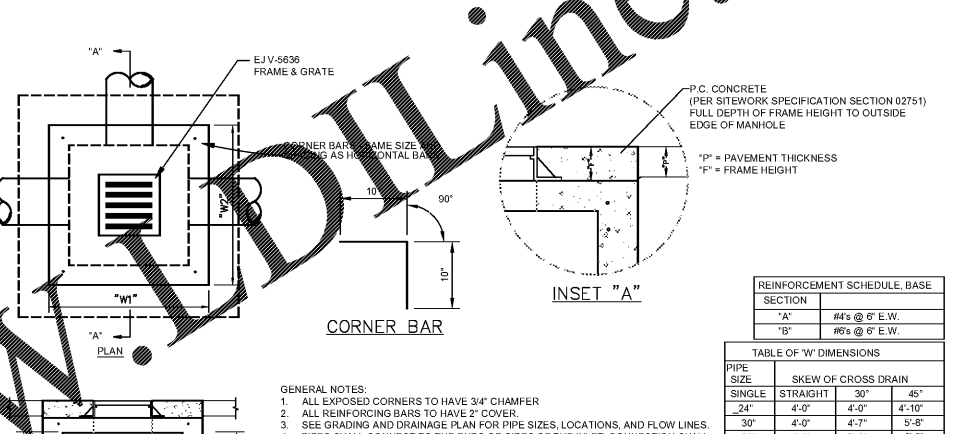
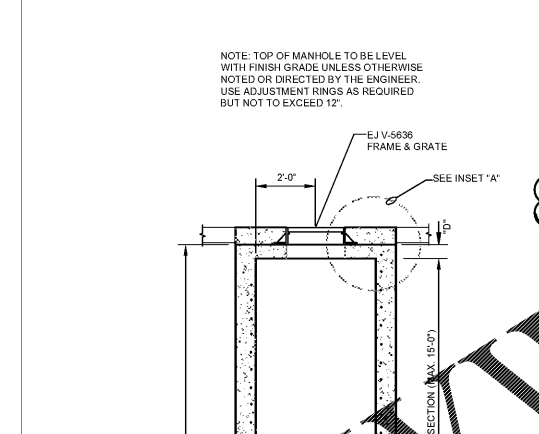
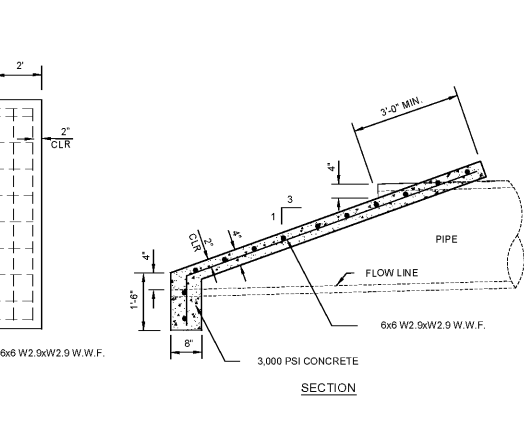


PIPE BEDDING DETAIL N.T.S.

- GENERAL NOTES:
1. ALL BEDDING, BACKFILL, MATERIALS, AND EXCAVATIONS SHALL BE PER THE BELOW SPECIFICATIONS, UNLESS OUTLINED OTHERWISE IN THE GEOTECHNICAL REPORT.
  2. BEDDING SHALL BE CLASS I-A WORKED BY HAND. IF GROUNDWATER IS ANTICIPATED, THEN BEDDING SHALL BE CLASS I-B COMPACTED TO 85% STANDARD PROCTOR.
  3. FINAL BACKFILL SHALL BE SUITABLE SOILS COMPACTED TO 98% STANDARD PROCTOR PER THE SITE.
- PREPARATION NOTES:
4. ALL MATERIALS ARE CLASSIFIED IN ACCORDANCE WITH ASTM D 2321-LATEST EDITION.
  5. ALL MATERIALS SHALL BE INSTALLED IN MAXIMUM 6" LOOSE LIFTS IN ACCORDANCE WITH ASTM D 998. ALL MATERIALS SHALL BE COMPACTED TO A MINIMUM OF 98% STANDARD PROCTOR AND WITHIN ±2% OF OPTIMUM MOISTURE CONTENT.
  6. FILL SALVAGED FROM EXCAVATION SHALL BE FREE OF DEBRIS, ORGANICS AND ROCKS LARGER THAN 3".
  7. ALL TRENCH EXCAVATIONS SHALL BE PROPERLY SHORED, SHEETED, BRACED, OR OTHERWISE SUPPORTED IN COMPLIANCE WITH OSHA REGULATIONS AND LOCAL ORDINANCES.



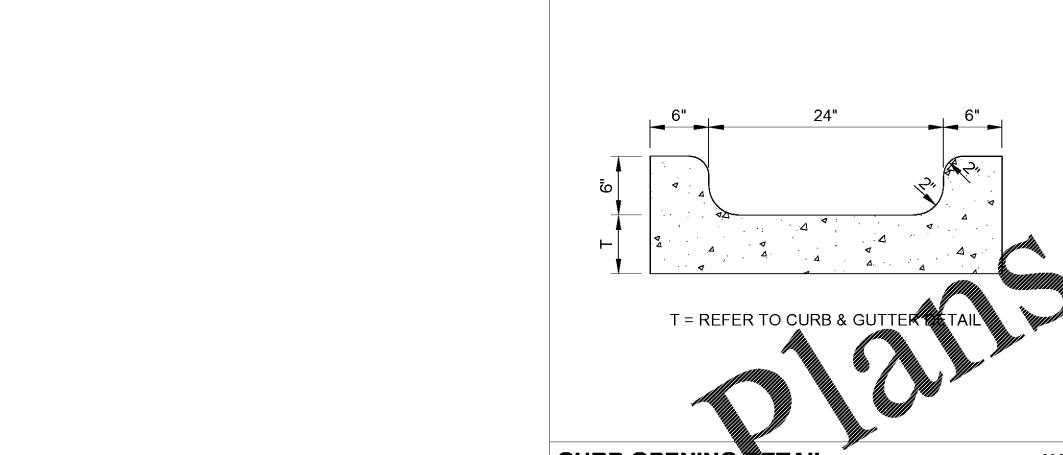
CONCRETE SLOPE PAVED HEADWALL DETAIL N.T.S.



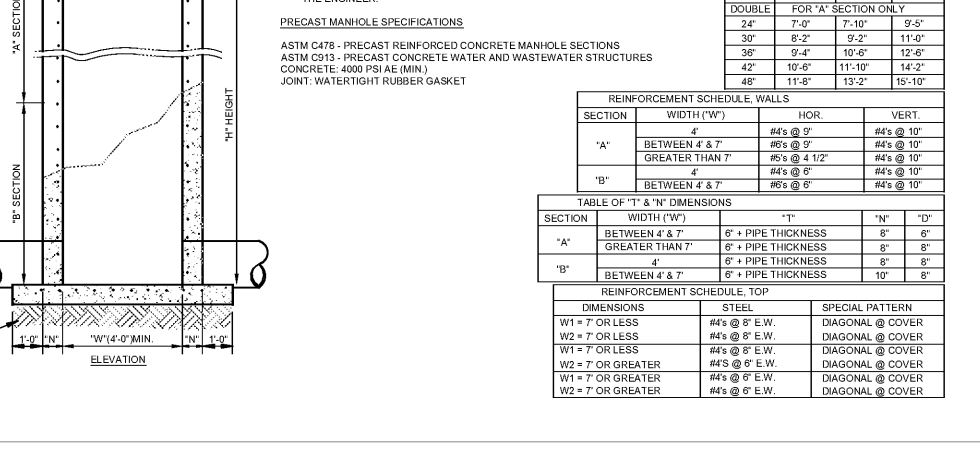
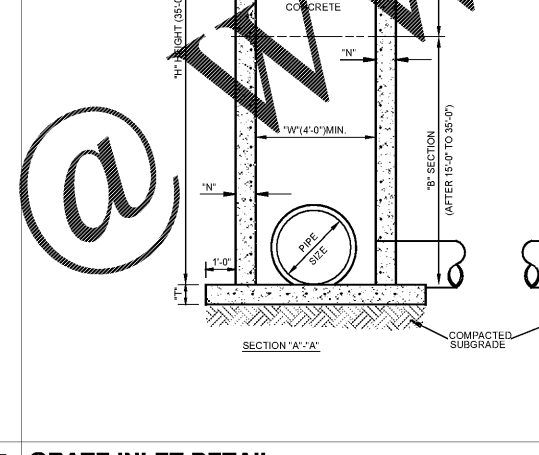
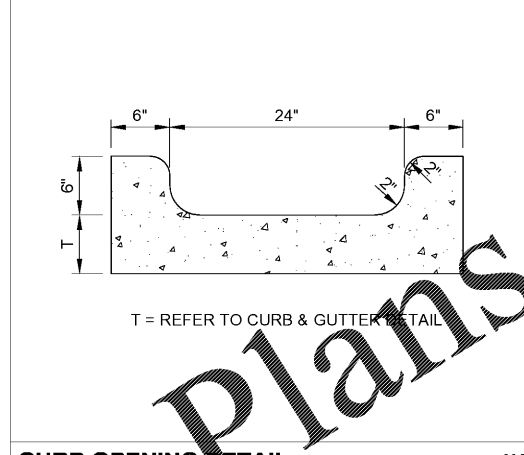
CONCRETE SLOPE PAVED HEADWALL DETAIL N.T.S.

CONCRETE SLOPE PAVED HEADWALL DETAIL N.T.S.

CONCRETE SLOPE PAVED HEADWALL DETAIL N.T.S.



CURB OPENING DETAIL N.T.S.



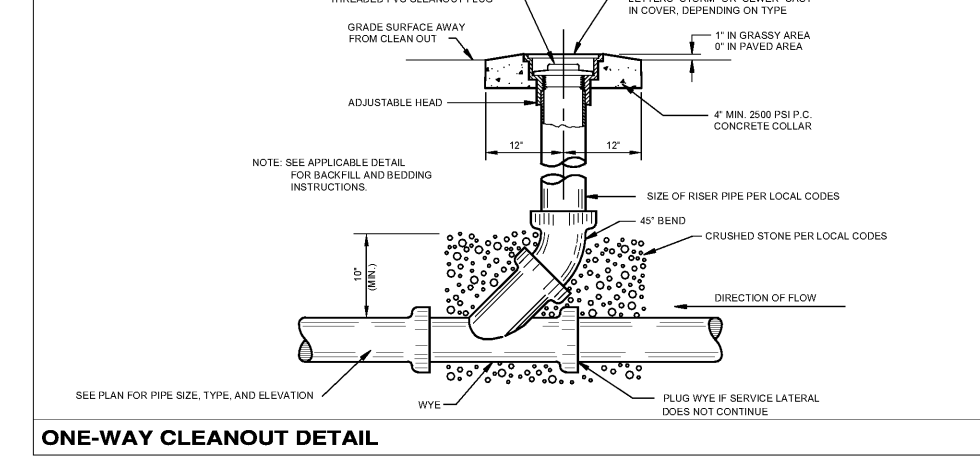
GRATE INLET DETAIL N.T.S.

GRATE INLET DETAIL N.T.S.

GRATE INLET DETAIL N.T.S.



ONE-WAY CLEANOUT DETAIL N.T.S.

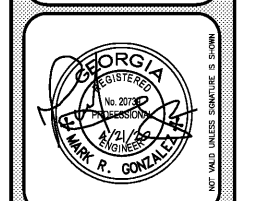


ONE-WAY CLEANOUT DETAIL N.T.S.

DATE	4/1/2020
NO.	0
DESCRIPTION	ISSUED FOR PERMITTING

SECTIONS & DETAILS	FAST FOOD RESTAURANT
	GEORGIA HIGHWAY 49 & CANE RIVER DRIVE
	BYRON, GEORGIA
	30AIP BYRON, LLC
	SANTA ROSA BEACH, FLORIDA
DWN BY	M. SIMS, PE
CHK. BY	M. GONZALEZ, PE
SCALE	NTS
DATE	4/9/2020

**GONZALEZ - STRENGTH & ASSOCIATES, INC.**  
 CIVIL ENGINEERING - TRANSPORTATION ENGINEERING - LAND SURVEYING  
 LAND PLANNING - LANDSCAPE ARCHITECTURE  
 1550 WOODS OF RIVERCHASE DRIVE SUITE 200  
 HOOPER, ALABAMA 35024  
 PHONE: (205) 442-4896  
 FAX: (205) 442-5205  
 www.Gonzalez-Strength.com



DWG. NO.	C6.1
PROJECT	20-0135

Order Plans @

N:\2020 Projects\Substation Retail Development\CD-0135\_Topoway's Restaurant Byron GA\Engineering\Contributor Documents\CD-0135-C.dwg Apr 22, 2020 - 8:58 am