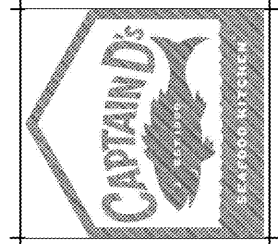


DRAWING INFORMATION		
DATE	DESCRIPTION	BY
04-27-20	FOR CONSTRUCTION	KM



SHANE HAMILTON, P.E.
912 W. MLK BLVD. TAMPA, FL
KANSAS LICENSE #25546

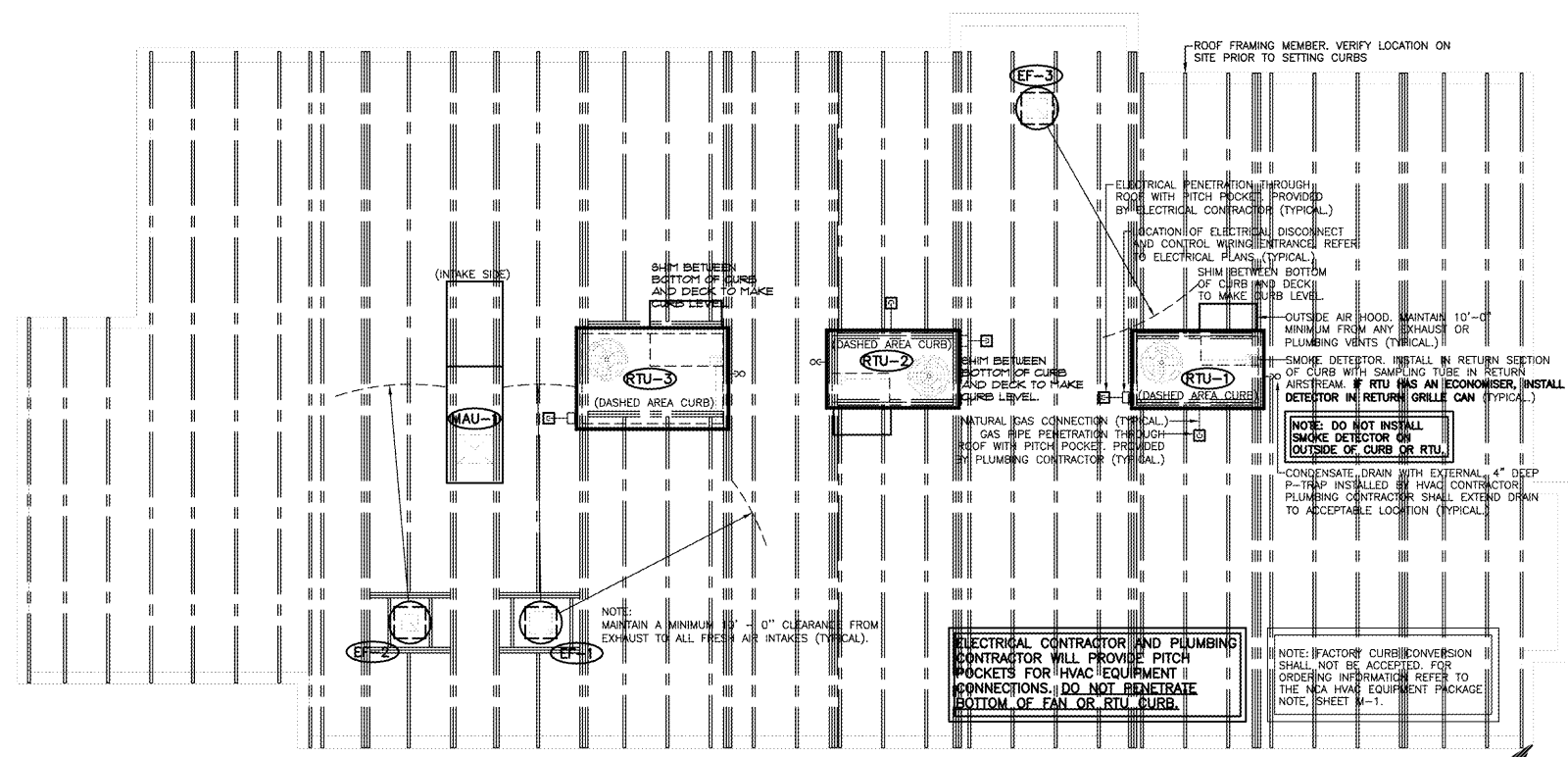
A NEW LOCATION FOR
CAPTAIN D'S
7525 STATE AVENUE
KANSAS CITY, KS 66112
CAPTAIN D'S, LLC
624 GRASSMERE PARK DRIVE,
SUITE 30
NASHVILLE, TN 37211



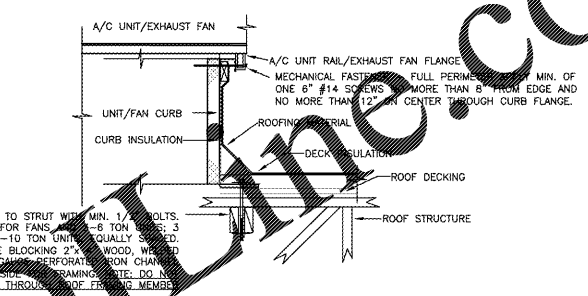
Job Number: _____
Revisions: _____

HVAC ROOF PLAN AND HVAC DETAILS

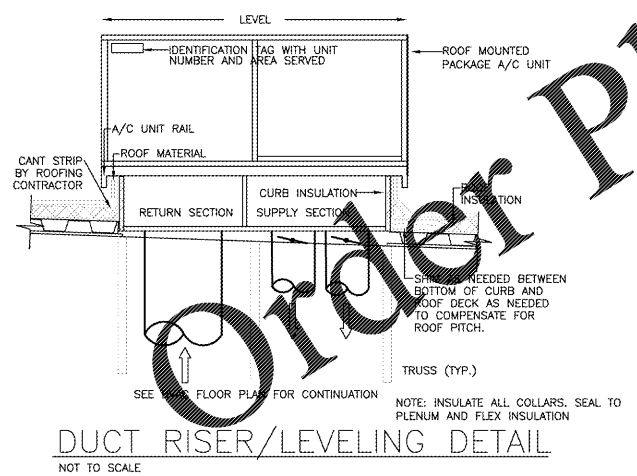
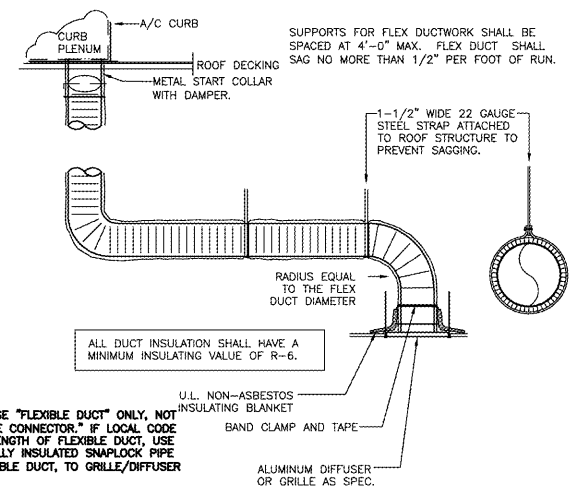
M-2



NCA PLENUMIZED AC CURB DETAIL
NOT TO SCALE

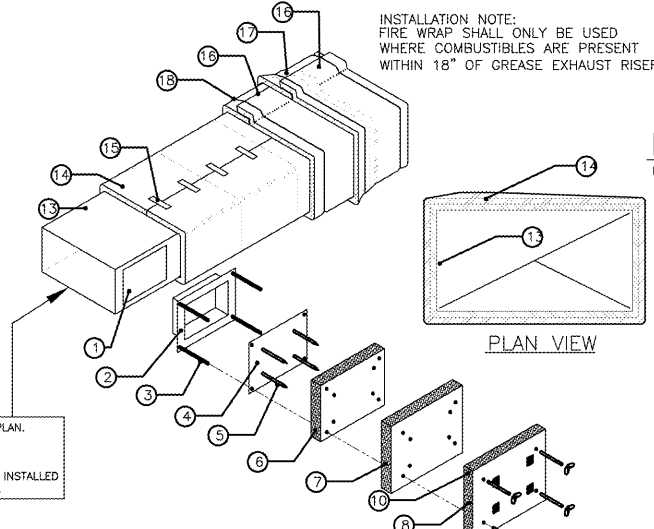


ROOF EQUIP. CURB MOUNTING DETAIL
NOT TO SCALE



LEGEND

1	DOOR HANDLE
2	ACCESS FRAME WELDED TO DUCT
3	1/4" DIA. ALL THREAD RODS
4	ACCESS COVER; 16 GA.
5	INSULATION PINS; WELDED
6	1 3M FIRE BARRIER 615 PLUS
7	1 3M FIRE BARRIER 615 PLUS 1" OVERLAP
8	1 3M FIRE BARRIER 615 PLUS 1" OVERLAP
9	SPEED CLIPS
10	ALUMINUM TAPE EDGES
11	SPOOL PIECES FOR THREADED RODS
12	1/4" DIA. WING NUTS
13	16 GA. SHEET METAL DUCT (FULLY WELDED WATER TIGHT)
14	1ST LAYER 3M FIRE BARRIER DUCT WRAP 615 PLUS LONGITUDINAL JOINT BUTT OR MIN. 3" OVERLAP ON INNER LAYER, MIN. 3" OVERLAP ON OUTER LAYER
15	3/4" (19mm) WIDE FILAMENT TAPE
16	2ND LAYER 3M FIRE BARRIER DUCT WRAP 615 PLUS OR APPROVED EQUIVALENT
17	3" MINIMUM PERIMETER OVERLAP - TYP.
18	STEEL BANDING 1/2" WIDE MIN. TYP. FOR PERMANENT FASTENING



RIGID/FLEXDUCT CONNECTION/INSTALL DETAIL
NOT TO SCALE

DUCT SCHEDULE	GAUGE
6" - 8"	28
10" - 12"	26
14" - 16"	24
18" - 20"	22



FULLY WELDED GREASE RATED EXHAUST DUCT. SEE SIZE ON PLAN. RISER SHALL BE LIGHT INSPECTED LAYING ON FLOOR. FULLY PREPARE FOR SCHEDULED INSPECTION. HVAC CONTRACTOR SHALL VERIFY TEST PRIOR TO SCHEDULE. THE USE OF U.L. LISTED PREFABBED DUCT BY CAPTIVE AIRE INSTALLED CORRECTLY MAY BE EXEMPT FROM LIGHT INSPECTION IF USED.

NOTE: ACCESS DOOR NOT REQUIRED UNLESS OFFSET, OR HORIZONTALLY EVERY 20'-0"

1 HR. FIRE WRAP ("0" CLEARANCE) TO COMUSTIBLES - INSTALLATION DETAIL
NOT TO SCALE

HVAC SYSTEM
N.C.A.
CONSULTANTS / GROUP
6510 N. 125TH AVENUE, SUITE #1001
LARGO, FLORIDA
PHONE: (877) 530-0078
CALL NCA MARKETING FOR PRICING
NCA JOB# 20470

Shane R. Hamilton, P.E.
Consulting Engineer
912 W. Dr. Martin Luther King Jr. Blvd.
Tampa, FL 33603 (813) 251-6848

Order Plans @ WWW.LDOnline.com