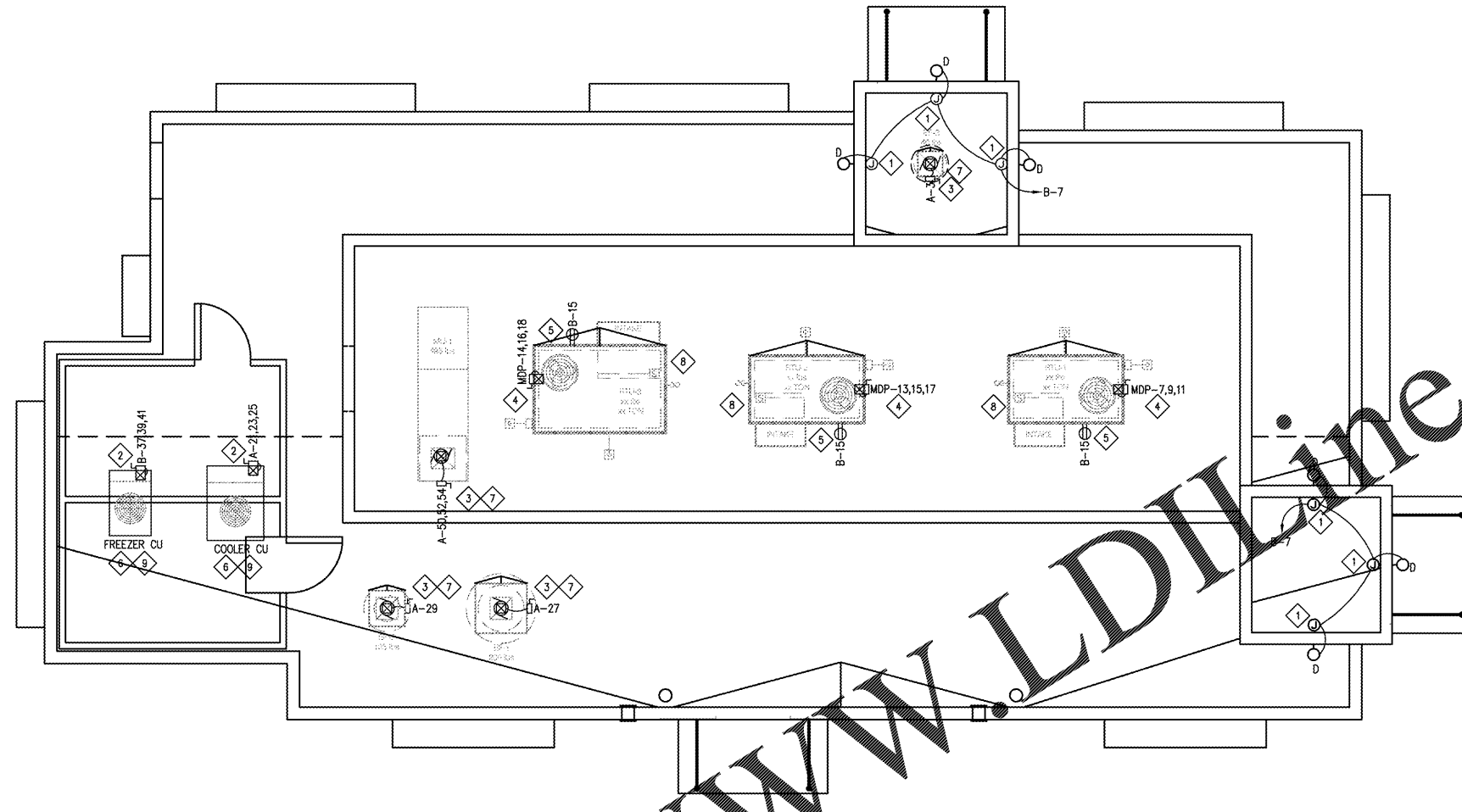


**ELECTRICAL GENERAL NOTES**

- THE EQUIPMENT ROUGH-INS AS SHOWN ARE ACCURATE TO THE BEST OF OUR KNOWLEDGE. HOWEVER, IN SOME INSTANCES THE OWNER OR SUPPLIER MAY SUBSTITUTE OR THE EQUIPMENT MAY VARY FROM WHAT IS SHOWN. THEREFORE, THE CONTRACTOR SHALL VERIFY ALL CRITICAL DIMENSIONS WITH THE OWNER PRIOR TO CONSTRUCTION. FAILURE OF THE CONTRACTOR TO VERIFY THESE DIMENSIONS SHALL PLACE THE RESPONSIBILITY FOR ANY SUBSEQUENT RELOCATION DIRECTLY UPON THE CONTRACTOR.
- ALL WORK SHALL BE DONE IN ACCORDANCE WITH THE LATEST EDITION OF THE N.E.C. AND STATE AND LOCAL CODES AS THEY APPLY.
- ALL MOUNTING HEIGHTS ARE TO THE CENTERLINE OF THE J-BOX.
- ALL DISCONNECT SWITCHES SHALL BE RATED FOR HEAVY DUTY UNLESS OTHERWISE NOTED.
- ANY FEES ASSOCIATED WITH CONSTRUCTION AND INSPECTION SHALL BE BORNE BY THE CONTRACTOR IN ORDER TO DELIVER TO THE OWNER A FINISHED BUILDING, READY FOR OCCUPANCY AND 100% OPERATION.
- TWO COPIES OF OPERATION AND MAINTENANCE MANUALS FOR THE EQUIPMENT HEREIN INSTALLED SHALL BE GIVEN TO THE OWNER PRIOR TO ACCEPTANCE OF THE BUILDING FOR OCCUPANCY.
- ALL PANELBOARDS SHALL BE LABELED WITH RESPECT TO THEIR TITLE, VOLTAGE, AND PHASE; I.E. PANEL "A" 208Y/120/3PH. LABEL SHALL BE PHENOLIC PLASTIC WITH WHITE LETTERS AND BLACK BACKGROUND. LABELS SHALL BE PERMANENTLY AFFIXED TO THE EQUIPMENT.
- PANELBOARDS SHALL CONTAIN A TYPED DIRECTORY WITH A PLASTIC COVER AFFIXED TO THE INSIDE DOOR.
- ANY DEVIATION FROM PLANS WITHOUT PRIOR APPROVAL OF THE OWNER SHALL BE CAUSE FOR THE REJECTION OF MATERIALS AND/OR METHODS, AND ANY COST INCURRED TO CORRECT SUCH DEVIATION TO THE SATISFACTION OF THE ARCHITECT/ENGINEER SHALL BE BORNE BY THE CONTRACTOR.
- ANY COSTS INCURRED DUE TO LACK OF COMMUNICATION AMONG THE TRADES SHALL BE BORNE BY THE CONTRACTOR.
- THE SUBMISSION OF A PROPOSAL SHALL BE CONSTRUED AS EVIDENCE THAT THE CONTRACTOR HAS FAMILIARIZED HIMSELF WITH THE PLANS AND BUILDING SITE. CLAIMS MADE SUBSEQUENT TO THE PROPOSAL FOR MATERIALS AND LABOR, BECAUSE OF DIFFICULTIES ENCOUNTERED, WILL NOT BE RECOGNIZED IF THEY COULD HAVE BEEN FORESEEN HAD PROPER EXAMINATION BEEN MADE.
- ALL REMOTE EQUIPMENT ON ROOF OR GROUNDS SHALL HAVE A DISCONNECT SWITCH AT EACH PIECE OF EQUIPMENT. FURNISH FUSED DISCONNECTS AS REQUIRED BY THE N.E.C.
- ALL EXTERIOR RECEPTACLES, JUNCTION BOXES, AND EQUIPMENT SHALL BE WEATHERPROOF.
- INSULATE ALL CONDUIT PASSING THROUGH WALK-IN COOLER. FILL AROUND CONDUIT WITH DUCT-IN SEAL WHERE IT PASSES THROUGH COOLER WALL OR CEILING.
- ALL EXTERIOR CONDUIT FOR WIRING SHOULD BE MINIMIZED BY ROUTING IN CEILING SPACE. NO EXTERIOR CONDUIT WILL BE ACCEPTED UNLESS OTHERWISE NOTED.
- THE CONTRACTOR SHALL BE RESPONSIBLE TO VERIFY THE AVAILABLE SHORT CIRCUIT CURRENT AT THE SUPPLY TERMINALS FROM THE POWER COMPANY. THE SERVICE EQUIPMENT SHALL MEET OR EXCEED THIS RATING PER THE N.E.C.
- IT SHALL BE THIS CONTRACTOR'S RESPONSIBILITY, PRIOR TO ANY INDIVIDUAL CIRCUIT'S INSTALLATION, TO VERIFY WITH ALL OTHER TRADES CONCERNED THAT THE CIRCUIT WITH DEVICES AS DRAWN IS ADEQUATE IN SIZE AND MAKE-UP FOR THE MECHANICAL AND/OR KITCHEN EQUIPMENT TO BE INSTALLED. IF ANY CONFLICT IN VOLTAGE, PHASE, OR LOAD IS ENCOUNTERED WHICH WOULD ALTER THE CIRCUIT SIZE, THIS CONTRACTOR SHALL NOTIFY THE ENGINEER OR OWNER IMMEDIATELY. FAILURE TO DO SO SHALL PLACE THE RESPONSIBILITY FOR ANY SUBSEQUENT CIRCUIT CHANGE DIRECTLY UPON THE CONTRACTOR.
- ALL ITEMS IN THE NOTES, SCHEDULES AND LEGEND MAY NOT NECESSARILY APPEAR ON THESE DRAWINGS.
- MINIMUM WIRE SIZE SHALL BE #12 AWG COPPER AND MINIMUM CONDUIT SIZE SHALL BE 1/2". ALL WIRING SHALL BE RUN IN CONDUIT UNLESS OTHERWISE NOTED. USE EMT CONDUIT IF LOCAL CODE AUTHORITY DOES NOT ALLOW MC CABLE. VERIFY MC CABLE USE WITH LOCAL AHJ PRIOR TO BID.
- WIRING SHOWN IN THE PANEL SCHEDULE IS THE MINIMUM REQUIRED. RUNS IN EXCESS OF 90'-0" (ONE WAY) SHALL BE SIZED PER THE N.E.C. MAXIMUM 2% VOLTAGE DROP.
- COORDINATE WITH LOCAL UTILITIES FOR THEIR REQUIREMENTS.
- ALL 15 AND 20 AMP, 125 VOLT ELECTRICAL OUTLETS SHALL COMPLY WITH 2011 NEC 210.8 (G) WHICH REQUIRES RESTROOMS, ROOFS, KITCHENS, AND OUTDOORS TO BE GFI PROTECTED. PROVIDE EITHER INDIVIDUAL GFI DEVICES OR GFI CIRCUIT BREAKERS, UNLESS SPECIFICALLY NOTED ON THE DRAWINGS OR SCHEDULES.
- ALL EMPTY J-BOXES SHALL BE INSTALLED WITH PULL STRINGS.
- ALL FIXTURES TO BE PROPERLY SECURED TO PREVENT MOVING ONCE IN PLACE.
- ALL TELEPHONE/SECURITY/CAMERA/MONITOR/FIRE EMPTY CONDUIT TO BE STUBBED UP INTO CEILING SPACE AND TURNED HORIZONTAL WITH BUSHING TO AVOID SCRAPING WIRE.
- VERIFY ALL DIMENSIONS WITH ARCHITECTURAL DRAWINGS.
- ALL FACE PLATES FOR OUTLETS, SWITCHES, DATA AND COAXIAL LINES, AND EQUIPMENT CONNECTIONS ARE TO BE BRUSHED STAINLESS STEEL. KITCHEN: ALL FACE PLATES FOR OUTLETS AND SWITCHES ARE TO BE BRIGHT WHITE IN DINING AREAS.
- PROVIDE BRUSHED STAINLESS STEEL FACE PLATES WITH 1/2" CENTER HOLE, WITH PLASTIC OR RUBBER GROMMET AT ALL DATA CABLE BOXES AND/OR COAXIAL J-BOX LOCATIONS.
- ALL FACE PLATES ARE TO BE IN PLACE PRIOR TO INSTALLATION OF EQUIPMENT. IF NOT, ELECTRICAL CONTRACTOR SHALL BEAR THE EXPENSE OF RECONNECTION OF EQUIPMENT.



**ELECTRICAL ROOF PLAN**

1  
E-6  
Scale: 1/4" = 1'-0"

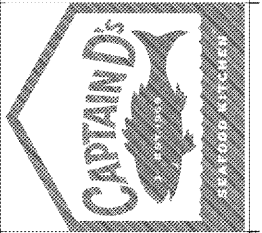
**PLAN NOTES**

- W.P. J-BOX WITH CONNECTION SPECIALTY "LED" FIXTURE INSTALLED IN TOWER. SEE THE ARCHITECTURAL EXTERIOR ELEVATIONS FOR MOUNTING HEIGHTS AND LOCATIONS OF THE EXTERIOR LIGHTING FIXTURES.
- 3-POLE NEMA 3R DISCONNECT WITH SOLID NEUTRAL AND GROUNDING KIT. FUSE AS REQUIRED. COORDINATE EXACT LOCATION AND WIRING REQUIREMENTS WITH MANUFACTURER.
- DISCONNECT SWITCH FURNISHED WITH FANS. SEE FAN SCHEDULE ON SHEET M-3 FOR ADDITIONAL INFORMATION.
- RTU IS FURNISHED WITH FACTORY INSTALLED DISCONNECTING MEANS. SEE SCHEDULE ON SHEET M-3 FOR ADDITIONAL INFORMATION.
- WP, GFI DUPLEX OUTLET FURNISHED WITH RTU AND WIRED BY E.C.
- PROVIDE INTERWIRING (POWER AND CONTROLS) BETWEEN CONDENSER AND COILS AS REQUIRED BY MANUFACTURER AND SUPPLIER. POWER FOR EVAPORATOR COIL IS SUPPLIED THROUGH CONDENSING UNIT PER MANUFACTURER.
- EXHAUST AND SUPPLY AIR FANS ARE CONTROLLED BY SWITCHES ON FRONT OF ELECTRICAL PANEL.
- RETURN AIR DUCT DETECTOR COMES FACTORY INSTALLED WITH UNIT. THE DETECTOR IS POWER FROM THE RTU. NO ADDITIONAL POWER CONNECTION IS REQUIRED.
- WALK-IN COOLER OR FREEZER CONDENSER. (VERIFY PRIOR TO CONNECTING)

Order Plans @ [www.LDOnline.com](http://www.LDOnline.com)



A NEW LOCATION FOR  
**CAPTAIN D'S**  
 7525 STATE AVENUE  
 KANSAS CITY, KS 66112  
**CAPTAIN D'S, LLC**  
 624 GRASSMERE PARK DRIVE,  
 SUITE 30  
 NASHVILLE, TN 37211



Job Number:

Revisions:

\_\_\_\_\_  
 \_\_\_\_\_  
 \_\_\_\_\_  
 \_\_\_\_\_

**E-6**  
 ELECTRICAL  
 ROOF PLAN