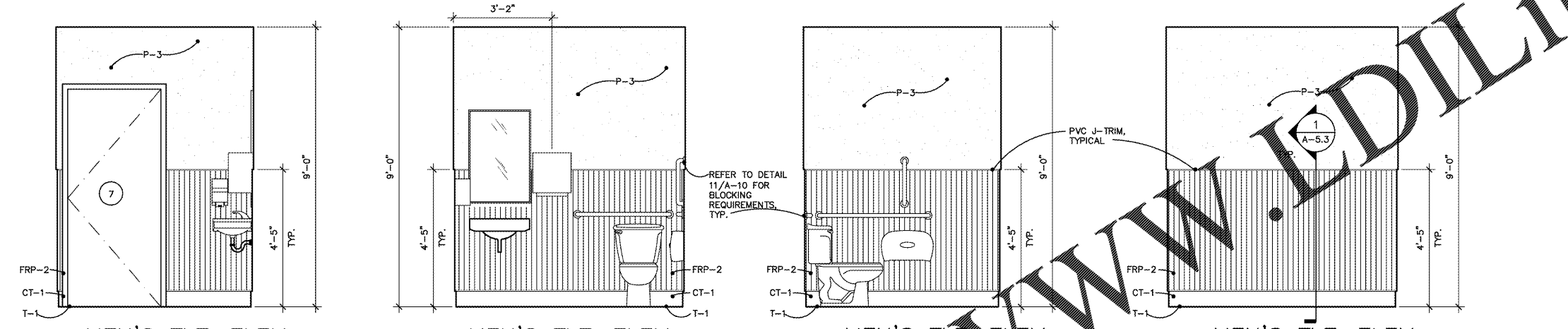
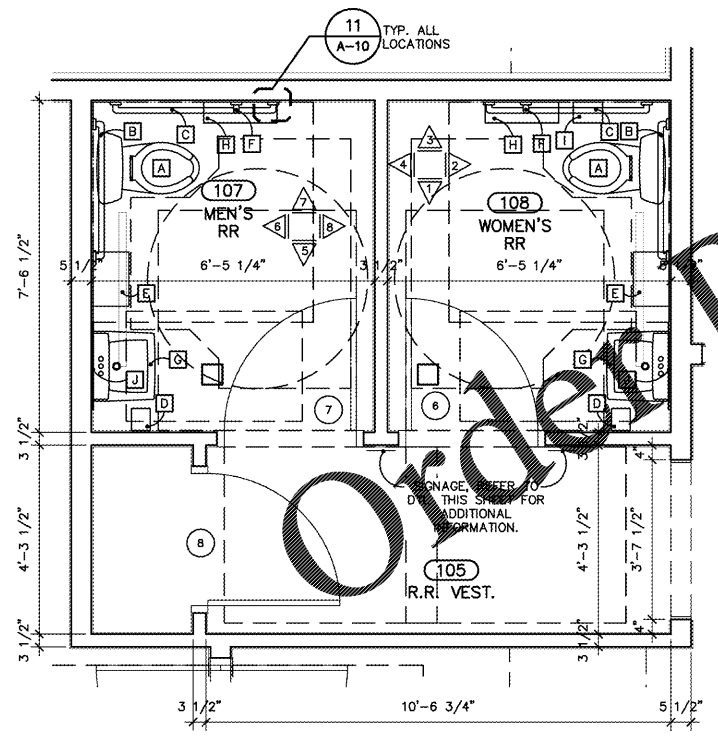


1 WOMEN'S TLT. ELEV.
SCALE 1/2" = 1'-0"
2 WOMEN'S TLT. ELEV.
SCALE 1/2" = 1'-0"
3 WOMEN'S TLT. ELEV.
SCALE 1/2" = 1'-0"
4 WOMEN'S TLT. ELEV.
SCALE 1/2" = 1'-0"

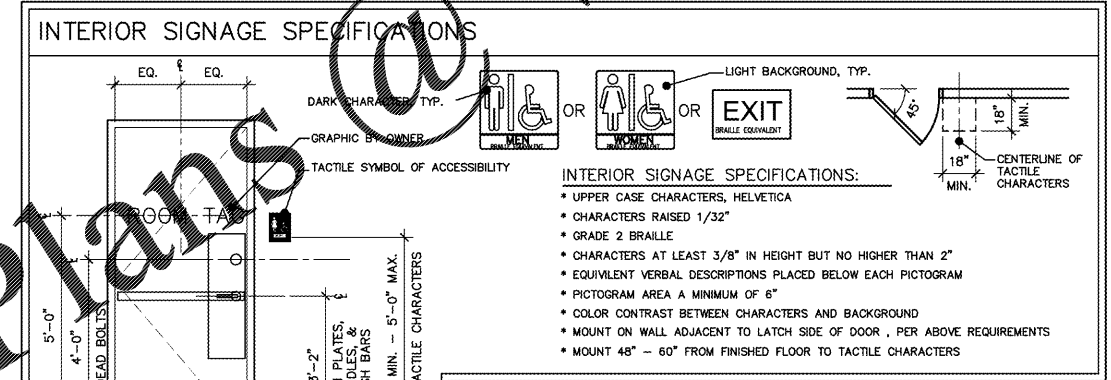


5 MEN'S TLT. ELEV.
SCALE 1/2" = 1'-0"
6 MEN'S TLT. ELEV.
SCALE 1/2" = 1'-0"
7 MEN'S TLT. ELEV.
SCALE 1/2" = 1'-0"
8 MEN'S TLT. ELEV.
SCALE 1/2" = 1'-0"

- ### GENERAL NOTES
1. LOCATE DOOR BUMP ON WALL SO THAT DOOR DOES NOT HIT OR DAMAGE ADJACENT TOILET ACCESSORIES OR WALL.
 2. INSULATE ALL PIPING BELOW LAVATORIES.
 3. FLUSH CONTROL VALVE/HANDLE TO BE LOCATED ON THE ACCESSIBLE SIDE OF THE FIXTURE.
 4. VERIFY AND ADJUST WALL THICKNESS SHOWN ON PLANS TO ACCOMMODATE THE SPECIFIED CARRIERS FOR SINKS AND WATER CLOSETS.
 5. FIELD VERIFY AND CONFIRM LOCATION AND MOUNTING HEIGHT OF TOILET ACCESSORIES PRIOR TO INSTALLATION.
 6. SOME ITEMS/NOTES LISTED ABOVE MAY NOT BE USED.



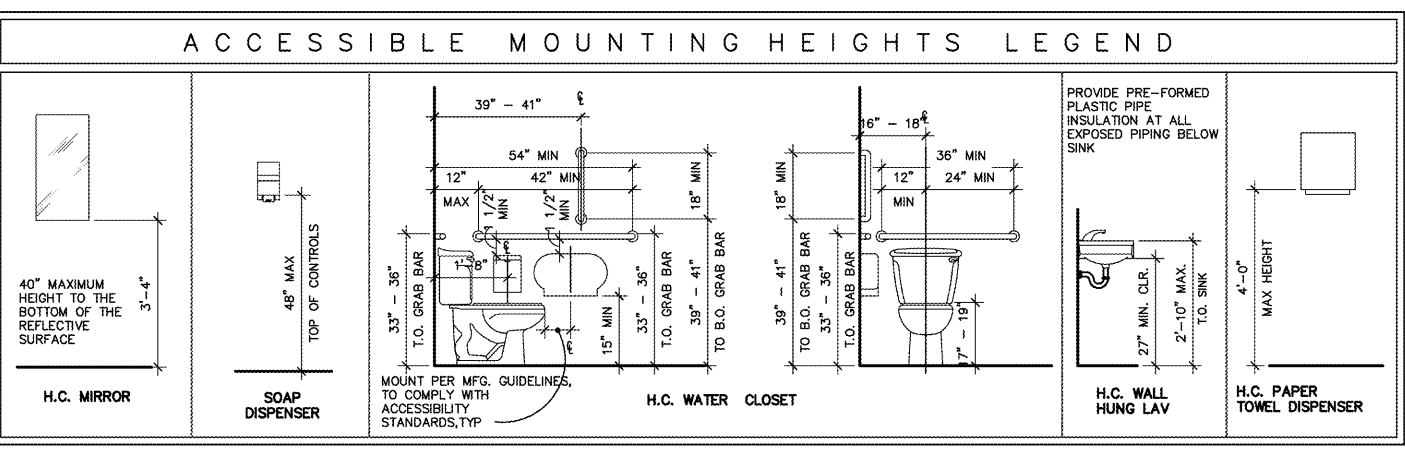
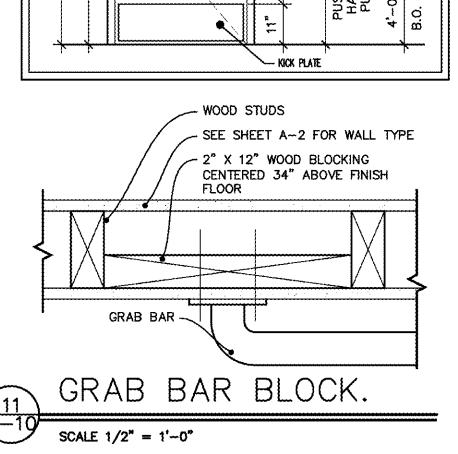
10 ENLARGED PLAN
SCALE 1/2" = 1'-0"



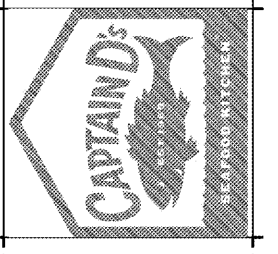
TOILET ACCESSORIES SCHEDULE

MARK	QUANTITY	DESCRIPTION	MODEL
A	2	H.C. WATER CLOSET	SEE PLUMBING
B	2	36" GRAB BAR	AMERICAN SPECIALTIES, INC. #3200 X 36"
C	2	42" GRAB BAR	AMERICAN SPECIALTIES, INC. #3200 X 42"
D	2	SOAP DISPENSER	PROVIDED BY OWNER
E	2	PAPER TOWEL DISPENSER	PROVIDED BY OWNER
F	2	18" VERTICAL GRAB BAR	AMERICAN SPECIALTIES, INC. #3200 X 18"
G	2	H.C. SINK	SEE PLUMBING
H	2	SURFACE MOUNTED TOILET TISSUE DISPENSER	PROVIDED BY OWNER
I	1	SANITARY NAPKIN DISPOSAL	AMERICAN SPECIALTIES 20852
J	2	24"x36" MIRROR	LOWES.COM - ITEM# 1083025

NOTE: ALL ITEMS IN RESTROOM TO BE SUPPLIED AND INSTALLED BY G.C., UNLESS NOTED OTHERWISE.



A NEW LOCATION FOR
CAPTAIN D'S
7525 STATE AVENUE
KANSAS CITY, KS 66112
CAPTAIN D'S, LLC
624 GRASSMERE PARK DRIVE,
SUITE 30
NASHVILLE, TN 37211



Job Number:
Revisions:

A-10
RESTROOM PLAN & ELEVATIONS