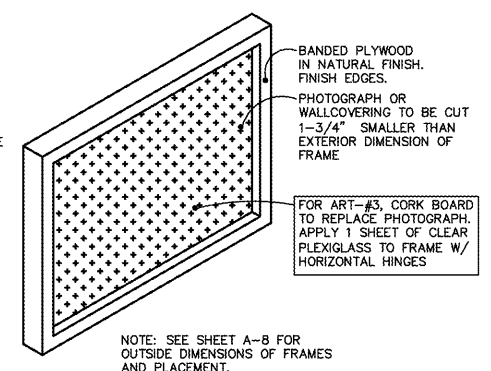


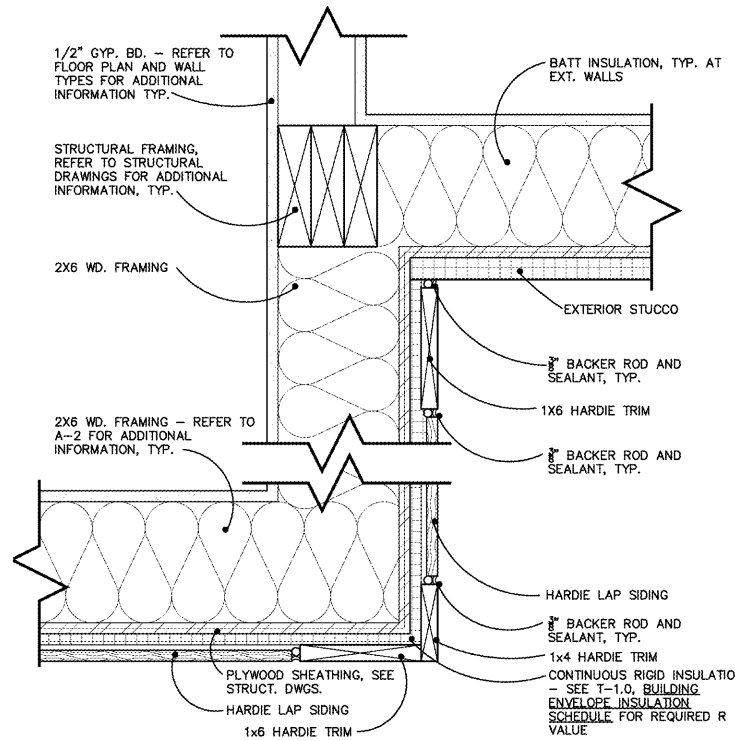
1 CURB AT ELEC. SWITCHGEAR
SCALE 3/4" = 1'-0"



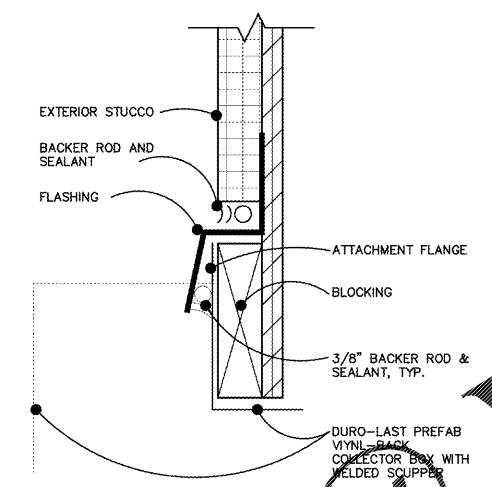
2 ARTWORK FRAME DETAIL
SCALE 1 1/2" = 1'-0"

3 NOT USED
SCALE 1 1/2" = 1'-0"

4 NOT USED
SCALE 1 1/2" = 1'-0"



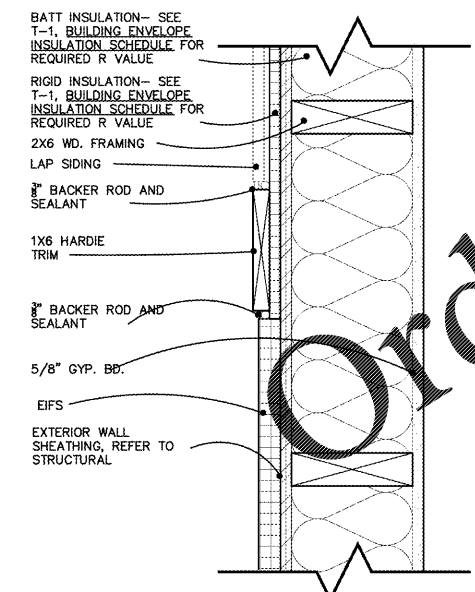
5 PLAN DTL. AT HARDIE TRIM
SCALE 3" = 1'-0"



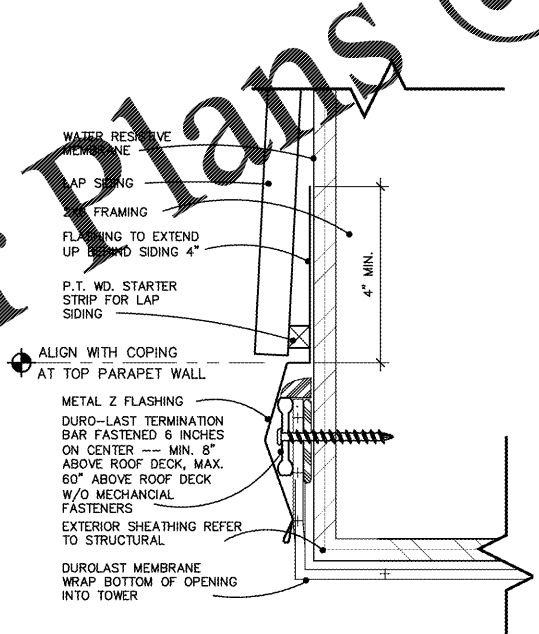
6 FLASHING
SCALE 6" = 1'-0"

7 NOT USED
SCALE 6" = 1'-0"

8 NOT USED
SCALE 6" = 1'-0"



9 PLAN DETAIL AT HARDIE TRIM AND EIFS
SCALE 3" = 1'-0"



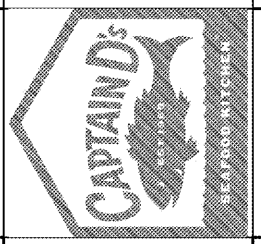
10 SIDING TERMINATION AT BACK TOWER
SCALE 6" = 1'-0"

WWW.LDILine.com

Order Plans @



A NEW LOCATION FOR
CAPTAIN D'S
7525 STATE AVENUE
KANSAS CITY, KS 66112
CAPTAIN D'S, LLC
624 GRASSMERE PARK DRIVE,
SUITE 30
NASHVILLE, TN 37211



Job Number: _____
Revisions: _____

A-9.1
MISCELLANEOUS
DETAILS