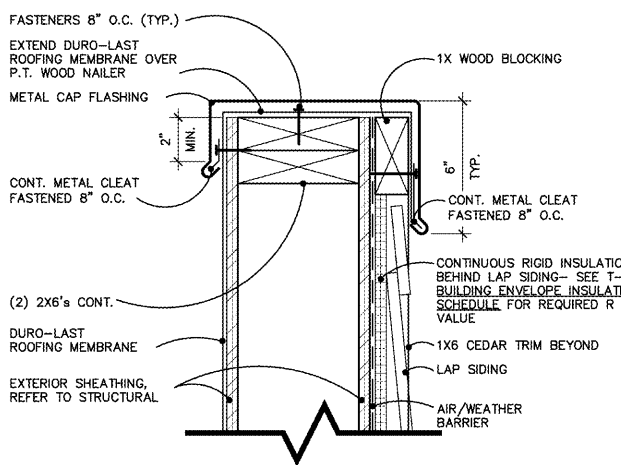


1 TOWER 'PORTHOLE' SECTION
A-9.0 SCALE 1 1/2" = 1'-0"

2 TOWER 'PORTHOLE' ELEVATION
A-9.0 SCALE 1 1/2" = 1'-0"

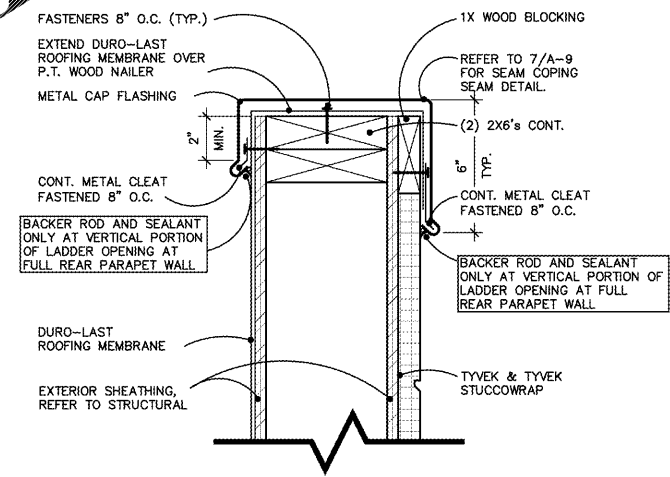
4 NOT USED
A-9.0



5 PARAPET CAP @ SIDING
A-9.0 SCALE 3" = 1'-0"

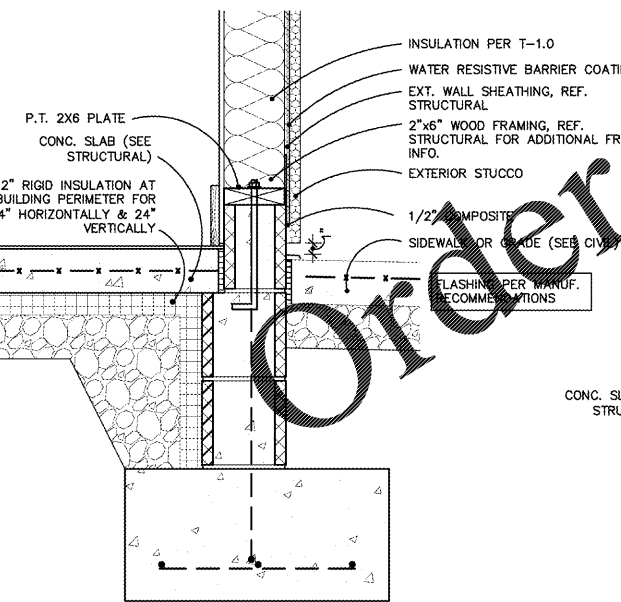
6 NOT USED
A-9.0 SCALE 3" = 1'-0"

7 COPING SEAM DETAIL
A-9.0 N.T.S.

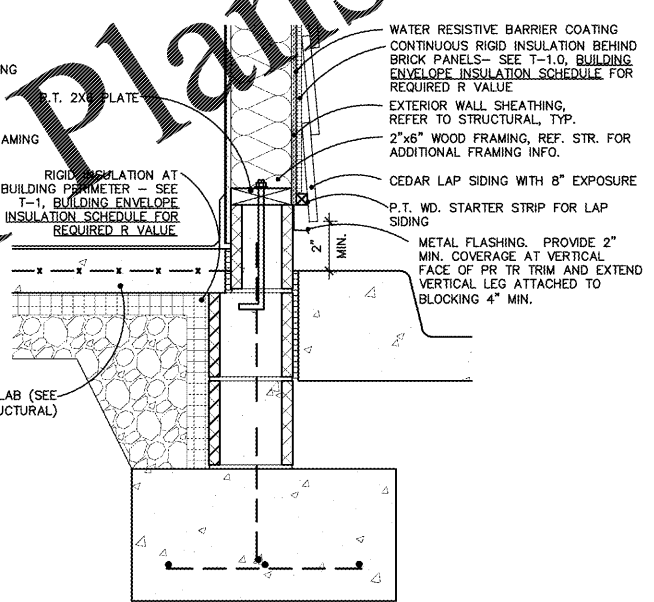


8 PARAPET CAP @ STUCCO
A-9.0 SCALE 3" = 1'-0"

WWW.DIYLine.com



9 SLAB @ EXTERIOR WALL
A-9.0 SCALE 1 1/2" = 1'-0"

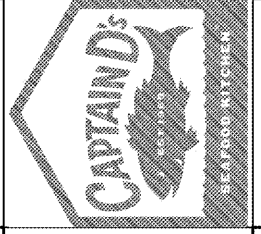


10 SLAB @ DRIVE-THRU
A-9.0 SCALE 1 1/2" = 1'-0"

11 NOT USED
A-9.0

12 NOT USED
A-9.0

A NEW LOCATION FOR
CAPTAIN D'S
7525 STATE AVENUE
KANSAS CITY, KS 66112
CAPTAIN D'S, LLC
624 GRASSMERE PARK DRIVE,
SUITE 30
NASHVILLE, TN 37211



Job Number:
Revisions:

A-9.0
MISCELLANEOUS
DETAILS