

KEYED NOTES

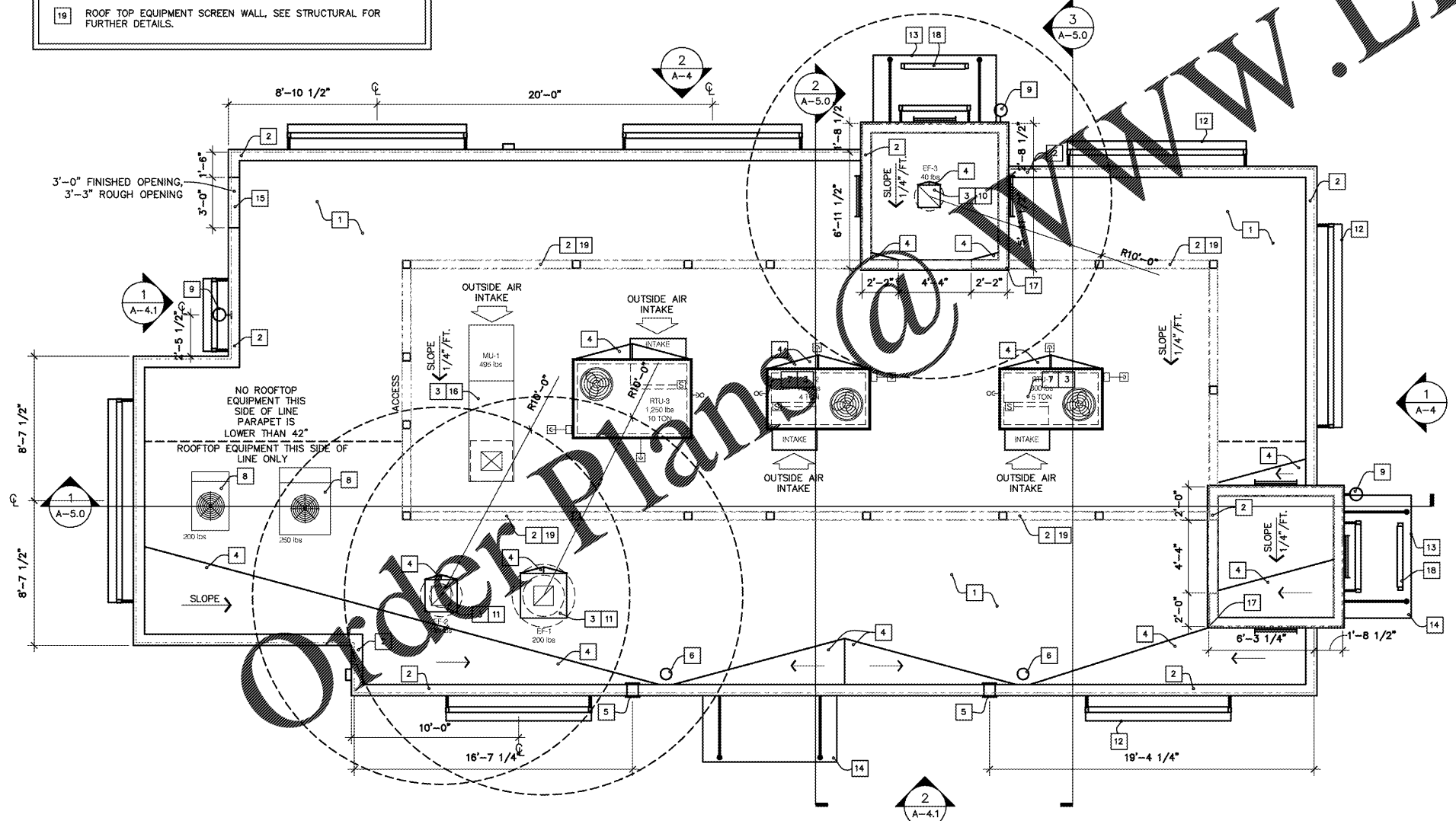
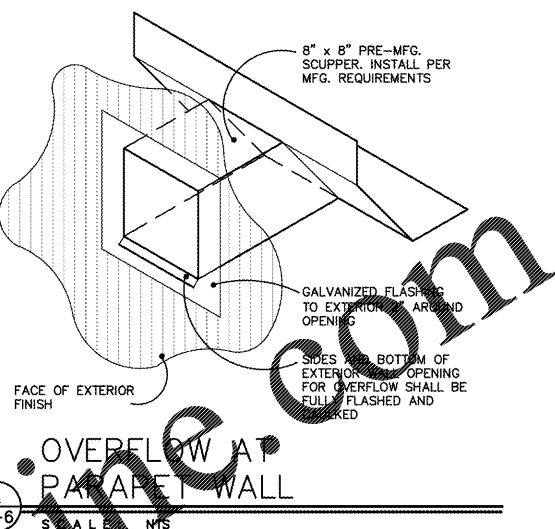
- 1 DURO-LAST SINGLE PLY MEMBRANE ROOF, INSTALLED OVER RIGID ROOF INSULATION IDENTIFIED IN THE BUILDING ENVELOPE INSULATION SCHEDULE ON SHEET T-1. INSTALL ROOFING PER MANUFACTURER STANDARD DETAILS, SPECIFICATIONS, AND WARRANTY REQUIREMENTS WHETHER SPECIFICALLY DETAILED HERE-IN OR NOT. PROVIDE 40 MIL THICKNESS; COLOR-WHITE.
- 2 PARAPET WALL CAP FLASHING; 24 GAGE GALVANIZED STEEL. PROVIDE/INSTALL PER SMACNA. ALSO REF. 7/A-9
- 3 REFER TO STRUCTURAL DRAWINGS FOR EXACT LOCATIONS, TYP.
- 4 CRICKET FOR POSITIVE DRAINAGE TO SCUPPERS, TYP.
- 5 ROOF OVERFLOW - REFER TO DETAIL 4/A-6 FOR ADDITIONAL INFORMATION. MIN. 2" ABOVE INTERNAL ROOF DRAIN STRAINER.
- 6 LOCATION OF INTERNAL ROOF DRAIN, SEE THE PLUMBING DRAWINGS FOR FURTHER CLARIFICATION.
- 7 HVAC UNIT - REFER TO MECHANICAL DRAWINGS FOR ADDITIONAL INFORMATION.
- 8 COOLER/ FREEZER CONDENSER UNIT.
- 9 EMERGENCY EGRESS LIGHT BELOW, SEE RCP AND EXTERIOR ELEVATIONS FOR MOUNTING HEIGHTS.
- 10 EXHAUST FAN - REFER TO MECHANICAL DRAWINGS FOR ADDITIONAL INFORMATION.
- 11 HOOD EXHAUST FAN - REFER TO 8/A-9.1 AND MECHANICAL DRAWINGS FOR ADDITIONAL INFORMATION.
- 12 AWNING CENTERED OVER WINDOWS BELOW, UNLESS NOTED OTHERWISE.
- 13 PRE-MANUFACTURED CANOPY AT ENTRY - G.C. TO COORDINATE WITH VENDOR - REFER TO T-1.1 FOR CONTACT INFORMATION, TYP.
- 14 PRE-MANUFACTURED DRIVE-THRU CANOPY - G.C. TO COORDINATE WITH VENDOR - REFER TO T-1.1 FOR CONTACT INFORMATION, TYP.
- 15 LADDERPORT AT THIS LOCATION. SEE THE EXTERIOR ELEVATIONS FOR FURTHER CLARIFICATION & CONTACT INFO FOR PURCHASING.
- 16 MAKE-UP AIR UNIT
- 17 REFER TO DETAIL 10/A-9.1 FOR SIDING TERMINATION DETAIL.
- 18 FIXTURE PREINSTALLED IN CANOPY, CONTAINS WHIP FOR CONNECTION BY GC.
- 19 ROOF TOP EQUIPMENT SCREEN WALL, SEE STRUCTURAL FOR FURTHER DETAILS.

GENERAL NOTES

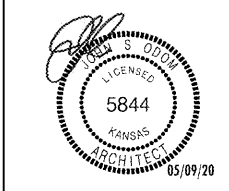
1. SLOPES OF ROOFS ARE FROM SLOPE IN THE TOP CHORD OF THE ROOF TRUSSES UNLESS NOTED OTHERWISE.
2. COORDINATE WITH MECHANICAL, PLUMBING, AND ELECTRICAL DRAWINGS FOR ALL ROOF PENETRATIONS.
3. PROVIDE PITCH POCKETS FOR ALL REFRIGERANT, POWER, OR PLUMBING VENTS AS REQUIRED. REFERENCE MPE DRAWINGS FOR LOCATIONS. INSTALL PITCH POCKETS PER ROOF MANUFACTURER'S INSTRUCTIONS WITH RECOMMENDED PRODUCTS.
4. OFFSET ALL ROOF VENTS SO THEY ARE LOCATED A MINIMUM OF 10'-0" BEYOND ALL AIR INTAKES.

ROOF LEGEND

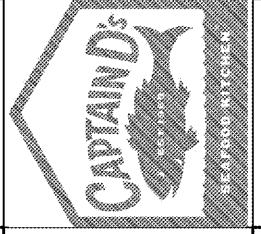
	REMOTELY MOUNTED EXTERIOR EMERGENCY LIGHT
	EXTERIOR AWNING / SIGN LIGHTING - CENTERED OVER WINDOW BELOW, UNLESS NOTED OTHERWISE.
	EXTERIOR PORTHOLE TUBE LIGHTING FIXTURE
	UTILITY WALL PACK



1 ROOF PLAN
A-6 SCALE: 1/4" = 1'-0"



A NEW LOCATION FOR
CAPTAIN D'S
 7525 STATE AVENUE
 KANSAS CITY, KS 66112
CAPTAIN D'S, LLC
 624 GRASSMERE PARK DRIVE,
 SUITE 30
 NASHVILLE, TN 37211



Job Number:
 Revisions:

A-6
 ROOF PLAN