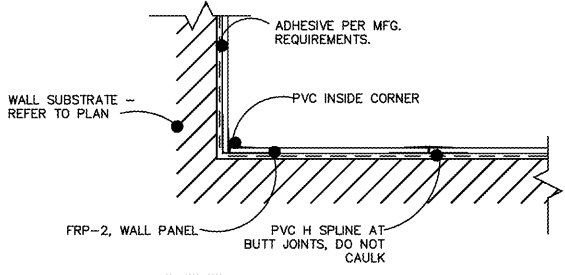
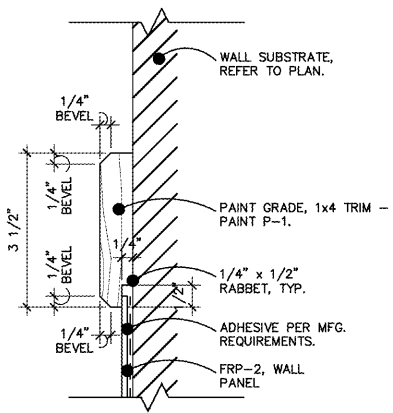


4 BASE DETAIL
A-5.3 SCALE 6" = 1'-0"

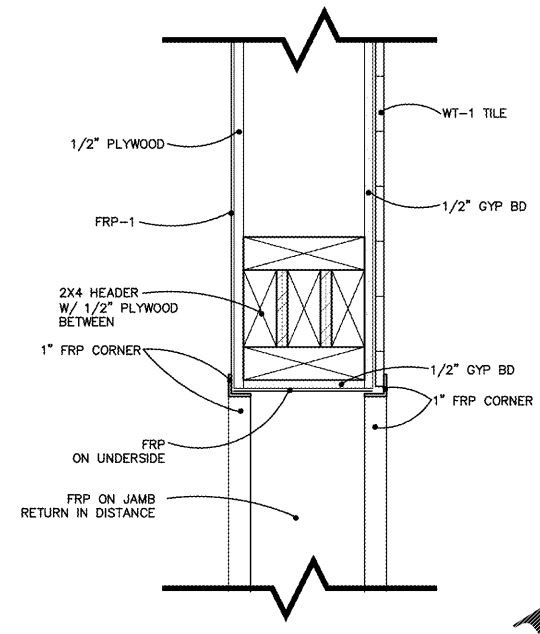
3 OPEN
A-5.3 SCALE



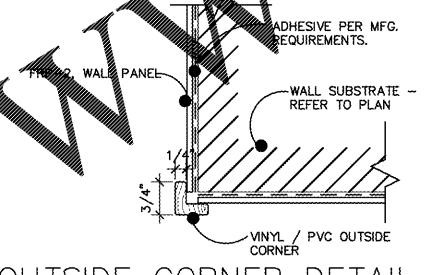
7 DETAIL
A-5.3 SCALE 6" = 1'-0"



5 CHAIR RAIL DETAIL
A-5.3 SCALE 6" = 1'-0"

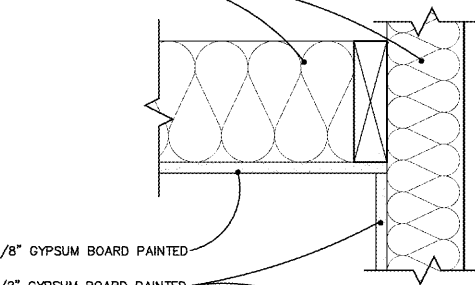


9 KITCHEN PASS-THRU
CASED OPENING DTL.
A-5.3 SCALE 3" = 1'-0"

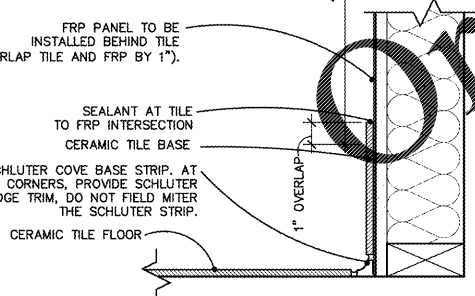
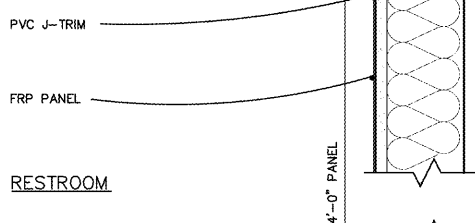


8 OUTSIDE CORNER DETAIL
A-5.3 SCALE 6" = 1'-0"

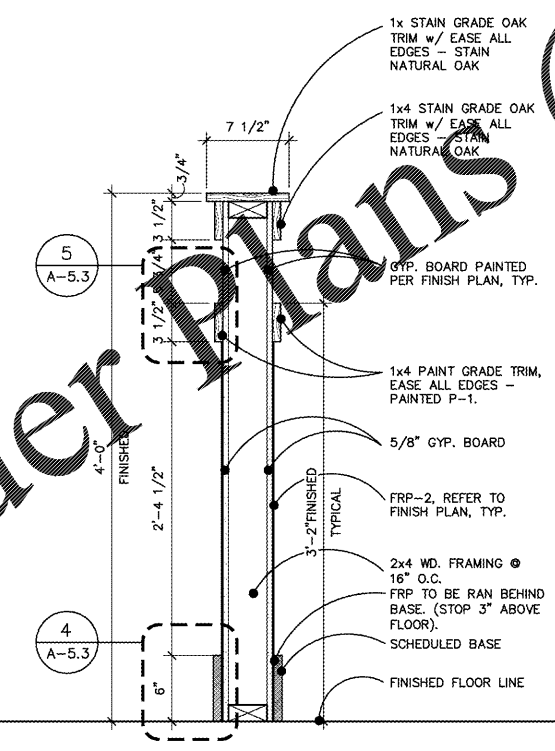
WALL AND CEILING FRAMING AND INSULATION - REFER TO SHEET A-2



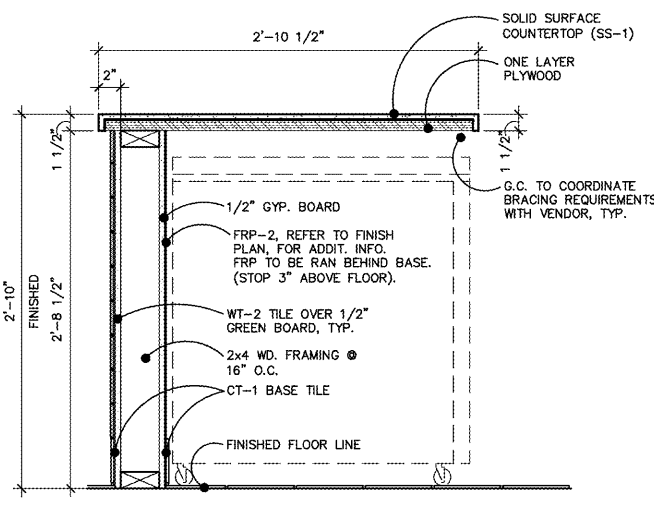
NOTE: REFER TO FINISH FLOOR PLAN, INTERIOR ELEVATIONS, AND FINISH SCHEDULE FOR MORE INFORMATION



1 RESTROOM FINISH DETAIL
A-5.3 SCALE 3" = 1'-0"



2 PARTIAL HT. WALL DETAIL
A-5.3 SCALE 1 1/2" = 1'-0"

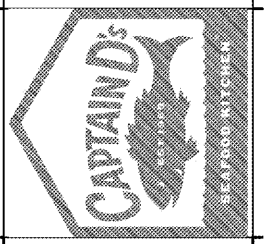


6 SERVING COUNTER DETAIL
A-5.3 SCALE 1 1/2" = 1'-0"

Order Plans @ WWW.LDILine.com

WWW.LDILine.com

A NEW LOCATION FOR
CAPTAIN D'S
7525 STATE AVENUE
KANSAS CITY, KS 66112
CAPTAIN D'S, LLC
624 GRASSMERE PARK DRIVE,
SUITE 30
NASHVILLE, TN 37211



Job Number:
Revisions:

A-5.3
SECTIONS & DETAILS