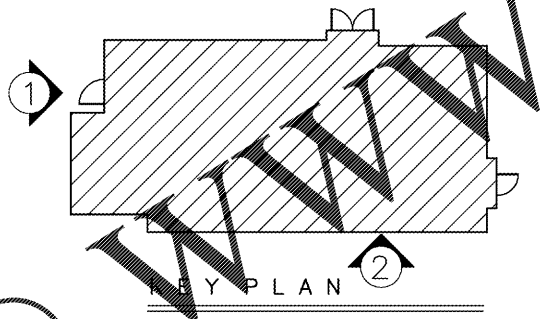
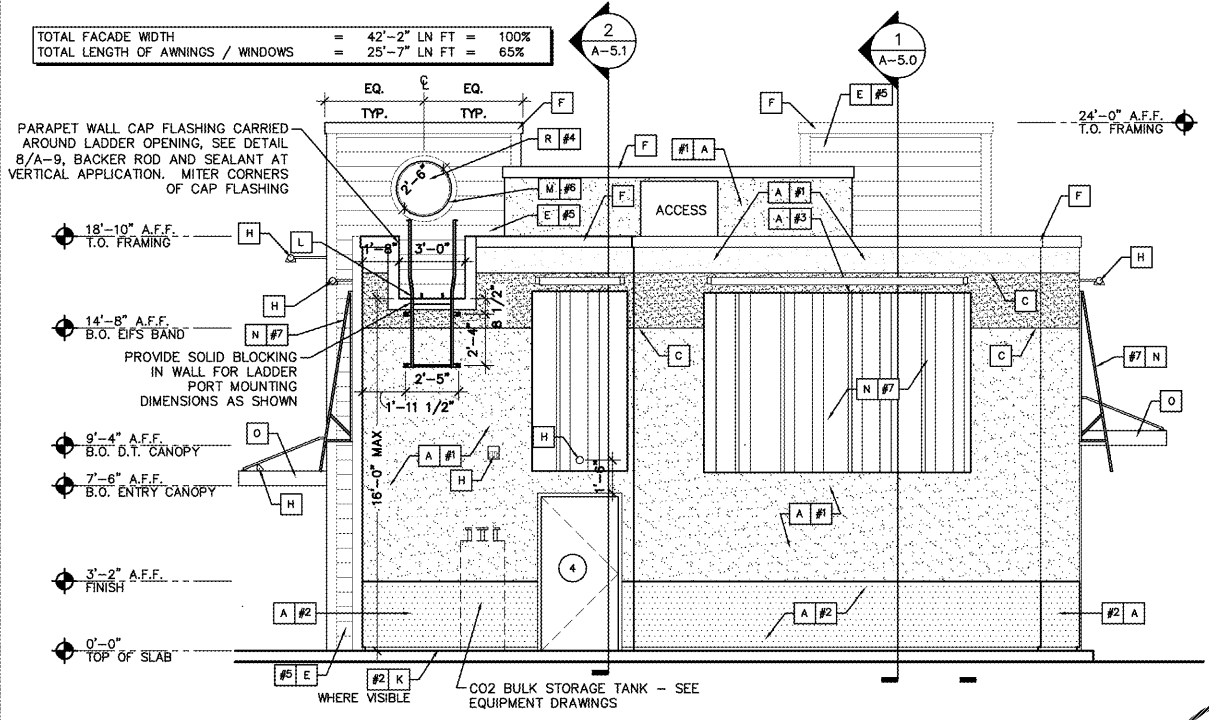


SYMBOL	MATERIAL	DESCRIPTION	REMARKS
A	STUCCO	INSTALL A FIRST LAYER OF DUPONT TYVEK WATER-RESISTIVE BARRIER ON THE EXTERIOR SHEATHING, FOLLOWED BY A SECOND LAYER OF DUPONT TYVEK STUCCOWRAP. INSTALL STUCCO FINISH WITH CONTROL JOINTS / FLASHING / WEEP SCREENS PER STUCCO / TYVEK / WINDOW MANUFACTURER'S SPECIFICATIONS.	INSTALLATION PER MANUFACTURER SPECS.  NOTE: TYVEK IS NOT REQUIRED AT THE DUMPSTER / TRANSFORMER ENCLOSURE CMU BLOCK WALLS
B	NOT USED		
C	STUCCO REVEAL	USE MANUFACTURER'S STANDARD REVEAL DETAIL	INSTALLATION PER MANUFACTURER SPECS.
D	STOREFRONT DOOR	KAWNEER-SYSTEM; 190 SWING DOOR, FINISH; ALUMINUM, CLASS 1 CLEAR ANODIZED. NON-INSULATED AT DOORS. 1/4" GLASS PANES-COLOR; CLEAR, TEMPERED. ACCEPTABLE ALTERNATE MANUFACTURERS INCLUDE YKK AP, TUBELITE OR CORAL.	INSTALLATION PER MANUFACTURER SPECS.

SYMBOL	MATERIAL	DESCRIPTION	REMARKS
E	HARDPLANK SELECT CEDARMILL	SELECT CEDARMILL -- SIZE; 9.25 IN.	INSTALLATION PER MAN. SPECS.
F	PARAPET WALL CAP	GALVANIZED STEEL CAP FLASHING. REFERENCE WALL SECTIONS, SHEETS A5.0. FOR DETAILS AND WALL SECTIONS, PREP AND PAINT - COLOR; ALUMINUM (TO MATCH CLEAR ANODIZED STOREFRONT SYSTEM).	INSTALLATION PER SMACNA
G	STOREFRONT WINDOWS	KAWNEER-SYSTEM; TRIFAB II 451. FINISH; ALUMINUM, CLASS 1 CLEAR ANODIZED, 1" INSULATED, TEMPERED. ACCEPTABLE ALTERNATE MANUFACTURERS INCLUDE YKK AP, TUBELITE OR CORAL. SOLARBAN 60 OR EQUIVALENT ON #2 SURFACE.	INSTALLATION PER MANUFACTURER SPECS.
H	EXTERIOR LIGHTING	SEE ELECTRICAL - FOR LINEAR SIGN LIGHTERS, USE TREADED NIPPLE FITTINGS BOTH ENDS - LIGHTS ABOVE AWNINGS TO RECEIVE 9" FITTING, TOWER LIGHTS TO RECEIVE 18" FITTING - RUN ELECTRICAL CONNECTION AT ONE END.	TOWER CANOPY HAS PREINSTALLED TOP SURFACE MOUNTED SIGN LIGHTER FIXTURE CONTAINING WHIP FOR ELECTRICAL CONNECTION
J	SEAMLESS DOWNSPOUT	PRE-FINISHED ALUMINUM, COLOR TO MATCH SHERWIN WILLIAM-SW 6651 CHERISH CREAM (CREAM/WHITE)	REFER. 12/A-9 & A-6 FOR ADDIT. INFO & LOCATION.

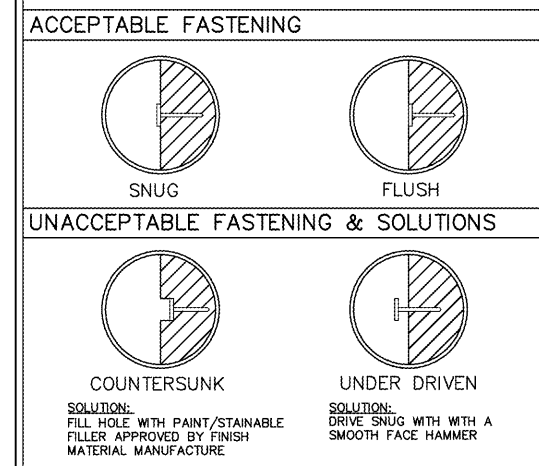
SYMBOL	MATERIAL	DESCRIPTION	REMARKS
K	6" CMU	PREP/ PAINT. REFERENCE DRAWINGS, SECTIONS/ DETAILS.	
L	WALL MOUNT LADDERPORT	LADDERPORT TYPE 1 STANDARD MOUNT MODEL #1101 - CONTACT MICHELE ORAS AT LADDERPORT 1.865.770.4607	
M	CUSTOM PERIPHERY RING & BLUE LED LIGHT	2'-6" DIA. 'PORTHOLE' W/ MOLDED PVC TRIM RING BY FYPON. TRIM RING MODEL NO. RLV28X4F, ROUND 35 3/16" X 35 3/16" X 1" SMOOTH. SEE T-1.1 FOR VENDOR CONTACT INFO.	CENTERED IN TOWER
N	AWNING	ALUMINUM AWNING	CONTACT AWNING VENDOR FOR SHOP DRAWINGS
O	ENTRY/DRIVE THRU CANOPY	ALUMINUM CANOPY COLOR: DARK BRONZE METAL	CONTACT AWNING VENDOR FOR SHOP DRAWINGS
P	H.M. DOOR & FRAME	EXTERIOR HOLLOW METAL DOOR - SEE A-11 FOR MORE INFORMATION	--
Q	TANKLESS WATER HEATER DUAL INTAKE & EXHAUST	DUAL INTAKE & EXHAUST HORIZONTAL TERMINATION KIT FOR THE RANNAI TANKLESS WATER HEATER SYSTEM	
R	HARDIEPANEL	SIGN BACKER, (1) LAYER @ COLOR 3 AND (1) LAYER @ COLOR 4 OF TOWER	
S	Z-FLASHING	TO BE INSTALLED AT ALL TRANSITIONS BETWEEN FINISH MATERIALS	
T	NOT USED		
U	HOSE BIB	C.O. TO PROVIDE INFO. RECOMMENDED ESCUTCHEONS PLATE.	REFER TO PLUMB. SHEETS FOR ADDIT. INFO.
V	EXTERIOR FREEZER COOLER	PRE-FINISHED STEEL TO MATCH #1	
W	FLASHING	COLOR CLEAR ANODIZED TO MATCH STOREFRONT SYSTEM	
#1	PAINT	SHERWIN WILLIAM-SW 6651 CHERISH CREAM (CREAM/WHITE) OR PPG PAINTS - PITA BREAD PPG1089-1	PREP, PRIME, AND PAINT PER MANUFACTURER SPEC. FOR SURFACES/ MATERIAL INDICATED
#2	PAINT	SHERWIN WILLIAM-SW 7076 CYBER SPACE (GRAY) OR PPG PAINTS - GRAY FLANNEL PPG1013-6	
#3	PAINT	SHERWIN WILLIAM-SW 6711 PARAKEET (GREEN) OR PPG PAINTS - BEACH BAG PPG1117-5	
#4	PAINT	SHERWIN WILLIAM-SW 6479 DRIZZLE (BLUE) OR PPG PAINTS - PARAKEET PETE PPG1143-4	
#5	PAINT	SHERWIN WILLIAMS-SW 3034 CEDAR (LIGHT BROWN) OR PPG PAINTS - LEATHER PPG15-14	
#6	PAINT	SHERWIN WILLIAMS-SW 7005 PURE WHITE (WHITE) OR PPG PAINTS - READYMIXED WHITE	
#7	FILM GRAPHIC	3M - CUSTOM STRIPE APPLIQUE PATTERN	GRAPHIC APPLIED TO ALUMINUM AWNING, TYP.

- GENERAL NOTES**
- COORDINATE WITH MECHANICAL, PLUMBING, AND ELECTRICAL DRAWINGS FOR ALL PENETRATIONS IN THE EXTERIOR FACADES.
  - SEE SHEET A-11 & A-11.1 FOR WINDOW/ DOOR TYPES AND DETAILS.
  - NOT ALL SYMBOLS/ MATERIALS MAY BE USED OR REFERENCED ON DRAWINGS, TYP.
  - PAINT ALL BOLLARDS #2



1 REAR ELEVATION  
SCALE: 1/4" = 1'-0"

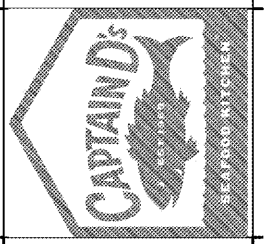
- GENERAL FASTENING REQUIREMENTS**
- ALL FASTENERS MUST BE HOT-DIPPED OR STAINLESS STEEL.
  - DRIVE FASTENERS PERPENDICULAR TO SIDING AND FRAMING.
  - FASTENER HEADS SHOULD FIT SNUG AGAINST SIDING (NO AIR SPACE).
  - DO NOT OVER-DRIVE HEADS OR DIVE NAILS AT ANGLE.
  - IF NAIL IS COUNTERSUNK, CAULK NAIL HOLE WITH PAINT/STAINABLE FILLER APPROVED BY FINISH MATERIAL MANUFACTURE.
  - UNDER DRIVEN NAILS SHOULD BE HIT FLUSH TO THE FACE WITH A SMOOTH FACE HAMMER.
  - PNEUMATIC FASTENING - SET AIR PRESSURE SO THAT THE FASTENER IS DRIVEN SNUG WITH THE FINISH SURFACE. A FLUSH MOUNT ATTACHMENT ON THE PNEUMATIC TOOL IS RECOMMENDED. IF SETTING THE NAIL DEPTH PROVES DIFFICULT, CHOOSE A SETTING THAT UNDER DRIVES THE NAIL. (DRIVE UNDER DRIVEN NAILS SNUG WITH A SMOOTH FACE HAMMER)
  - DO NOT USE ALUMINUM FASTENERS, STAPLES, OR CLIPPED HEAD NAILS.



2 LEFT SIDE ELEVATION  
SCALE: 1/4" = 1'-0"



A NEW LOCATION FOR  
**CAPTAIN D'S**  
7525 STATE AVENUE  
KANSAS CITY, KS 66112  
**CAPTAIN D'S, LLC**  
624 GRASSMERE PARK DRIVE,  
SUITE 30  
NASHVILLE, TN 37211



Job Number:  
Revisions:

**A-4.1**  
EXTERIOR ELEVATIONS