



JPL MANAGEMENT

ISSUE INFORMATION

REVISIONS

NO.	DATE	DESCRIPTION

Neico Architecture, Inc.



PROJECT INFORMATION

**BOWLING
GREEN, KY**

DISHMAN LANE
BOWLING GREEN, KY 42101

PROJECT #:
11352

SHEET INFORMATION

**MECHANICAL
ROOF PLAN**

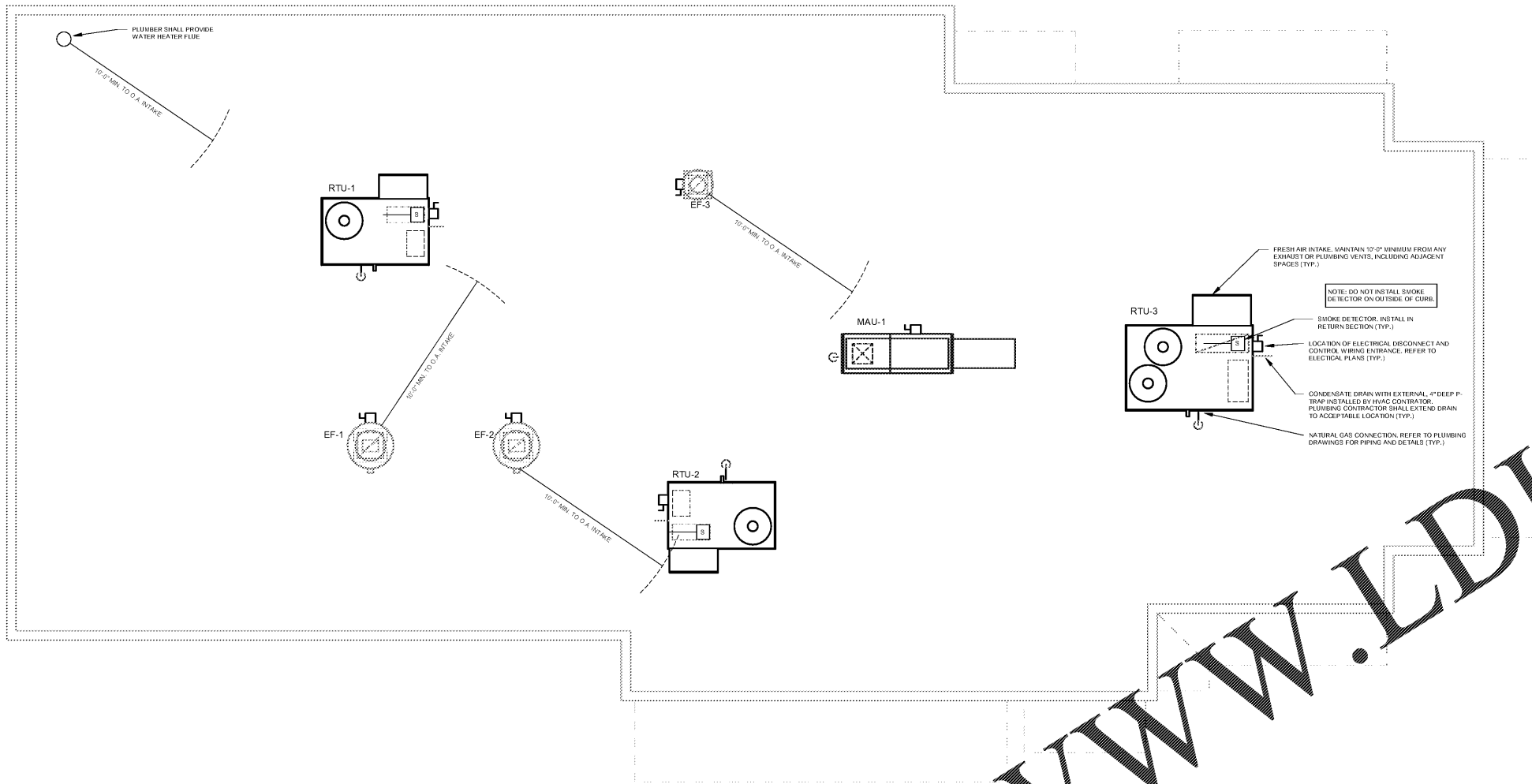
DRAWN BY:
ED/ZFB

REVIEWED BY:
JGJ/JWQ

SCALE:
1/4" = 1'-0"

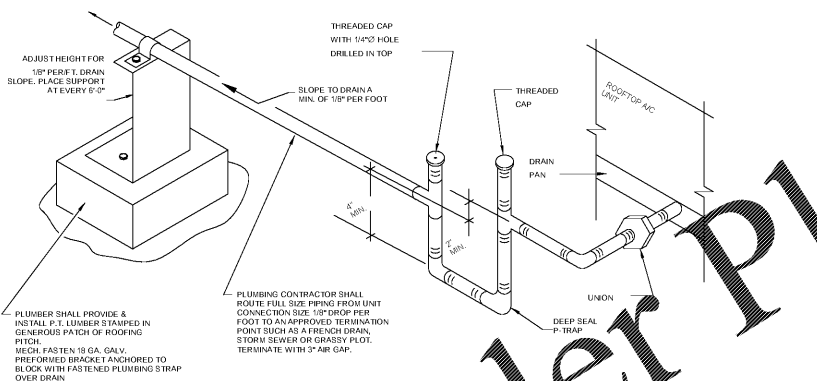
AUTHORIZED FOR:
PERMIT

M2



www.LDILine.com

1 MECHANICAL ROOF PLAN
M2 1/4" = 1'-0"

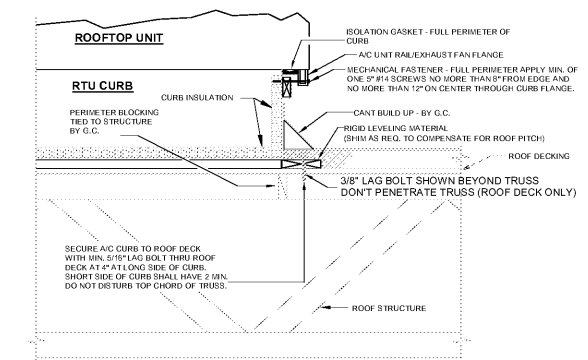


2 CONDENSATE P-TRAP DETAIL
M2 1/4" = 1'-0"

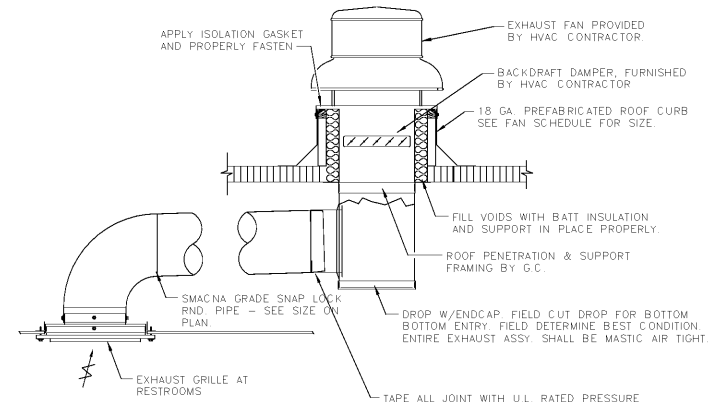
PACKAGE ROOFTOP UNIT WEIGHTS

MARK	RTU-1	RTU-2	RTU-3
MANUFACTURER	CARRIER	CARRIER	CARRIER
MODEL	48FC EA06	48FC EM07	48TC DA12
WEIGHT WITH CURB	696#	747#	1135#
CORNER WEIGHT WITH CURB "A"	142#	162#	260#
CORNER WEIGHT WITH CURB "B"	136#	152#	240#
CORNER WEIGHT WITH CURB "C"	136#	141#	300#
CORNER WEIGHT WITH CURB "D"	142#	151#	335#
OPT DV WEIGHT (ECONOMIZER, ETC)	37#@CORNER "B"	37#@CORNER "B"	75#@CORNER "B"
TOTAL WEIGHT	733#	784#	1210#

ECONOMIZER OR O.A. HOOD



3 CURB EQUIPMENT ATTACHMENT DETAIL
M2 1/4" = 1'-0"



4 EXHAUST FAN DETAIL - TYP.
M2 1/4" = 1'-0"