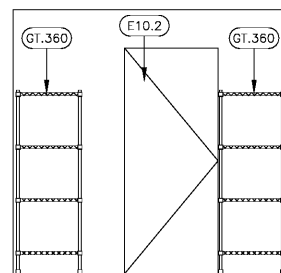
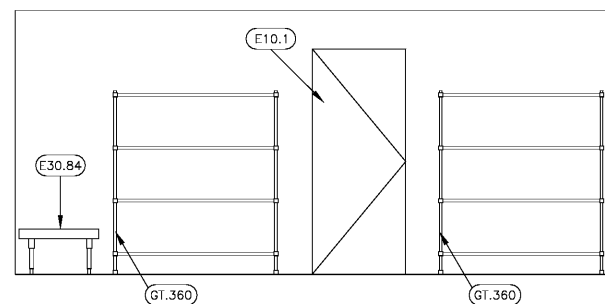




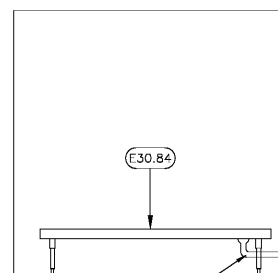
POPEYES



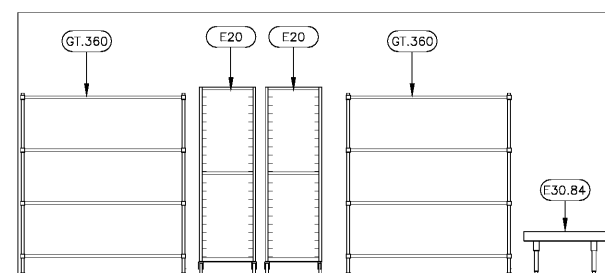
1 INTERIOR COOLER ELEVATION  
A13a 3/8"=1'-0"



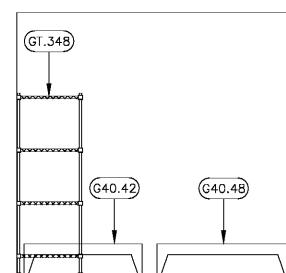
2 INTERIOR COOLER ELEVATION  
A13a 3/8"=1'-0"



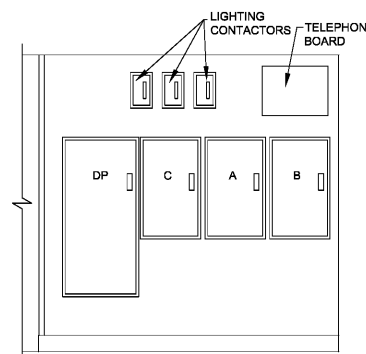
3 INTERIOR COOLER ELEVATION  
A13a 3/8"=1'-0"



4 INTERIOR COOLER ELEVATION  
A13a 3/8"=1'-0"



5 INTERIOR COOLER ELEVATION  
A13a 3/8"=1'-0"



6 EQUIPMENT ELEVATION  
A13a 3/8"=1'-0"

Order Plans @ WWW.LDILine.com

**LEGEND**

- DUPLEX RECEPTACLE
- SPECIAL PURPOSE RECEPTACLE
- TELEPHONE OUTLET / DATA OUTLET
- TELEPHONE ONLY OUTLET
- DATA ONLY OUTLET
- JUNCTION BOX
- WATER CONNECTION

NOTES:

1. DIMENSIONS ARE TAKEN TO THE CENTER LINE OF THE JUNCTION BOXES. (VERT. & HORIZ.)
2. PAPER TOWER DISPENSER BY: SAN JAMAR #T1490 TBK FURNISHED AND INSTALLED BY G.C.
3. SOAP DISPENSER FURNISHED BY OWNER INSTALLED BY G.C.

JPL MANAGEMENT

ISSUE INFORMATION

REVISIONS

NO.	DESCRIPTION

Nelco Architecture, Inc.

PROJECT INFORMATION

BOWLING GREEN, KY

DISHMAN LANE  
BOWLING GREEN, KY 42101

PROJECT #:  
20.0001760.000

SHEET INFORMATION

KITCHEN ELEVATIONS

AW  
DRAWN BY:  
JN  
REVIEWED BY:

SCALE:

AUTHORIZED FOR:  
Permit / Bid

A13a