



**DEKALB PEACHTREE AIRPORT**  
DEKALB COUNTY, GEORGIA

**Michael Baker INTERNATIONAL**

Designer:  
**G. SUMMERS**

Technician:  
**W. MCNAMARA**

Checked by:  
**D. SKURKY**

Project Number:  
**174297**



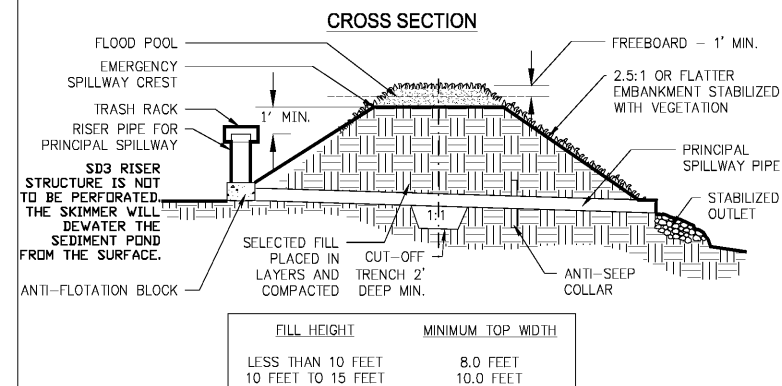
GSWCC LEVEL II DESIGN PROF.  
#0000072532 EXP. 10/21/2022

**AULICK ENGINEERING LLC**  
HYDRAULICS & HYDROLOGY | EROSION CONTROL  
AIRFIELD DESIGN | CONSTRUCTION MANAGEMENT

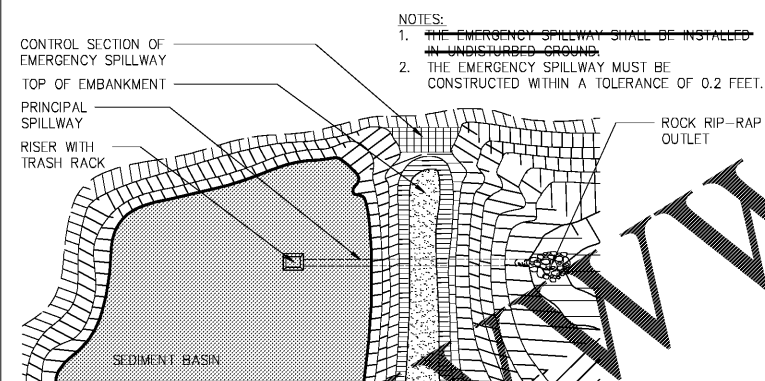
Notes:

**Sd3 BASIC COMPONENTS OF TEMPORARY SEDIMENT BASIN**

Figure 6-29.1

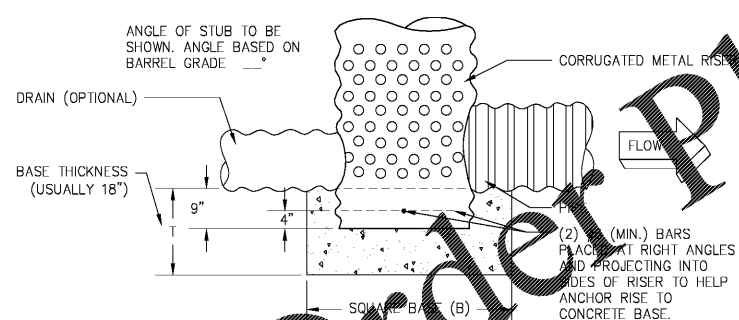


**PLAN VIEW**



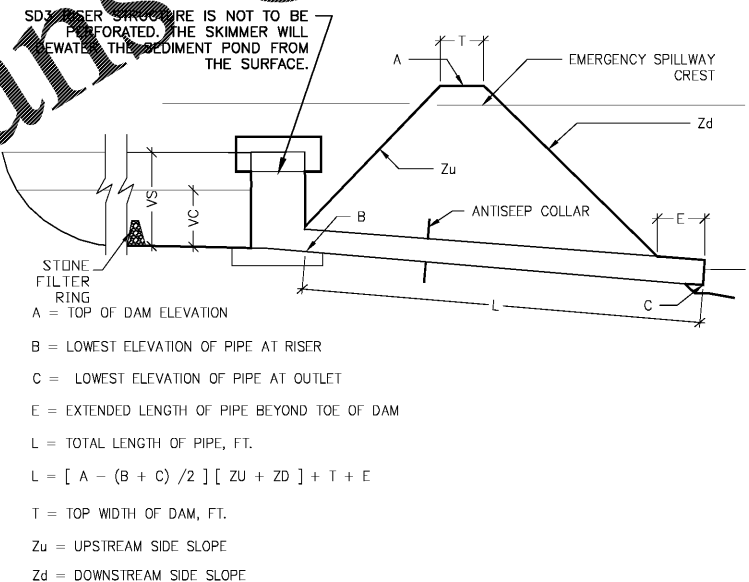
**Sd3 TEMPORARY SEDIMENT BASIN CONCRETE RISER BASE DETAIL**

Figure 6-29.5



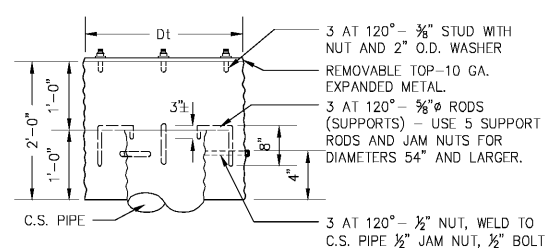
**Sd3 SPILLWAYS PRINCIPLE SPILLWAY DESIGN**

Figure 6-29.3



**Sd3 TEMPORARY SEDIMENT POND TYPICAL TRASH RACK**

Figure 6-29.4



| REVISIONS |             |      |    |
|-----------|-------------|------|----|
| No.       | Description | Date | By |
|           |             |      |    |
|           |             |      |    |
|           |             |      |    |

Project Name:  
**RUNWAY INCURSION MITIGATION IMPROVEMENTS (PDK 11)**

Drawing Name:  
**ES&PCP DETAILS NO. 3**

ITB# 20-101257  
Date: **FEBRUARY, 2020** Sheet Number: **21** of **24**  
Scale: **1" = 50'** Drawing Number: **ECD-3**