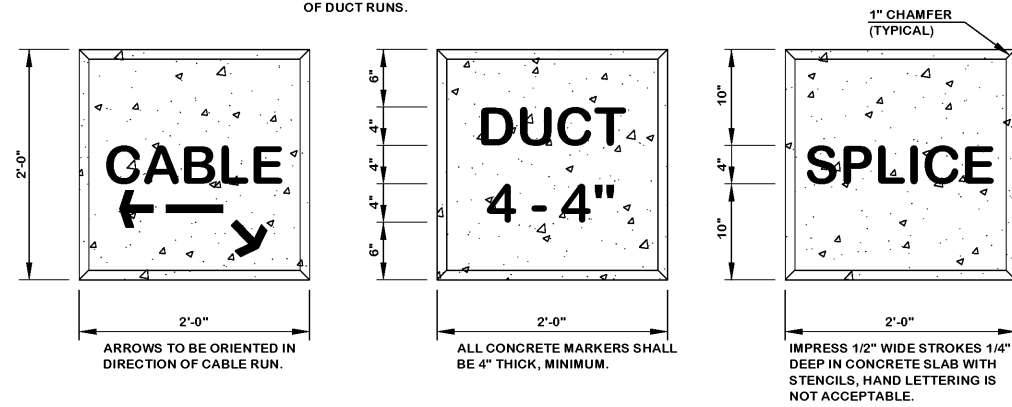


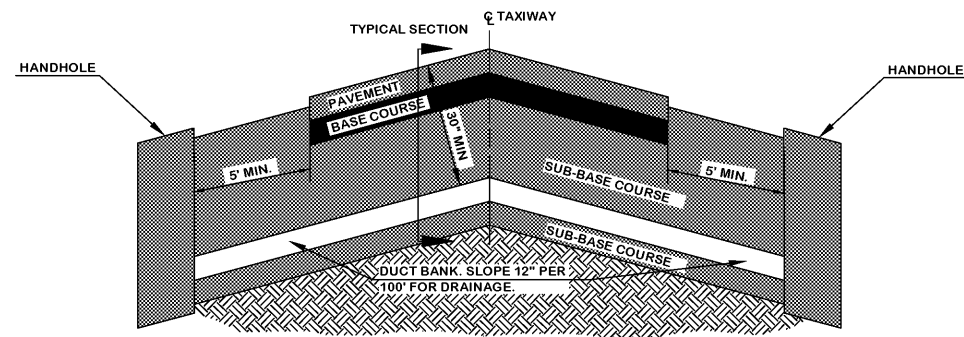
NOTE: INSTALL CABLE MARKERS AT ALL TURNS AND JUNCTIONS, AT NOT LESS THAN 200' INTERVALS ON STRAIGHT TRENCH RUNS, AND 10' FROM ENDS OF DUCT RUNS.



CABLE, DUCT AND SPLICE MARKERS

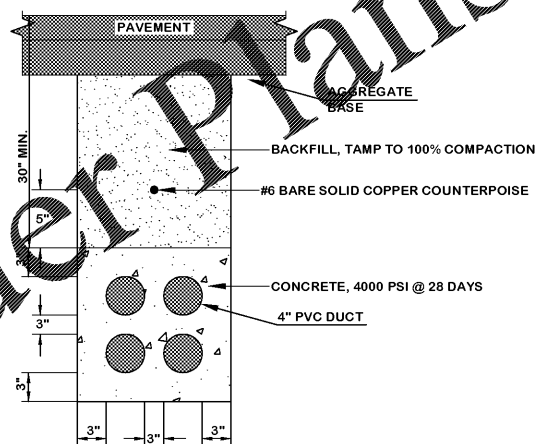
N.T.S.

ALL MARKERS SHALL BE PAINTED INTERNATIONAL ORANGE.



TYPICAL CROSS SECTION AT ELECTRICAL DUCT BANK DETAIL

N.T.S.

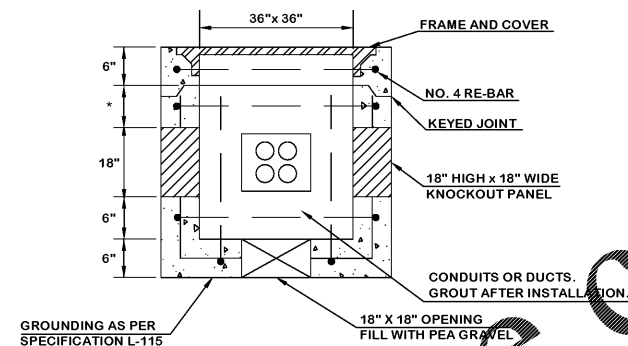


SECTION

TYPICAL 4-WAY CONCRETE ENCASED ELECTRICAL DUCT BANK DETAIL

N.T.S.

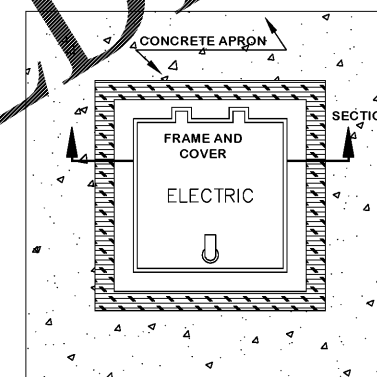
NOTES: SEAL DUCTS AFTER INSTALLATION OF CABLE WITH DUCT SEAL. PLUG SPARE DUCTS WITH TAPERED PLASTIC PLUGS (DO NOT USE CEMENT).



SECTION
ELECTRICAL HANDHOLE TYPE "A" DETAIL

N.T.S.

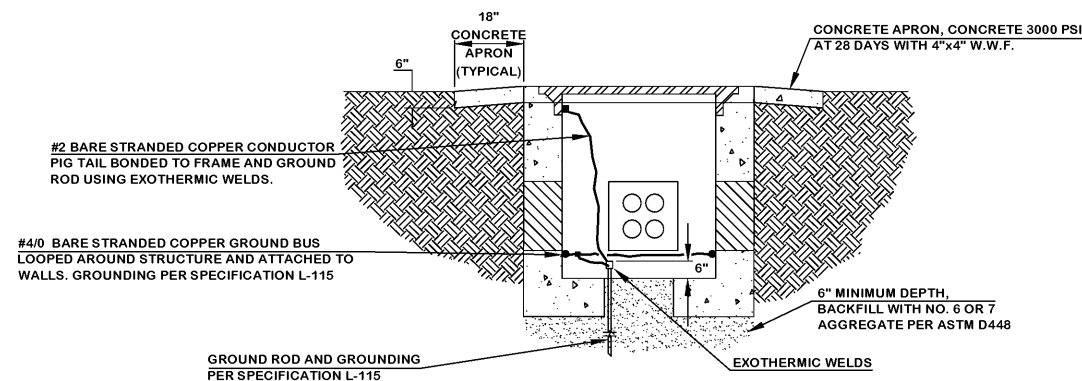
* - VERIFY DEPTH REQUIRED TO MATCH DUCT



PLAN

ELECTRICAL HANDHOLE TYPE "A" DETAIL

N.T.S.



SECTION

ELECTRICAL HANDHOLE TYPE "A" DETAIL

N.T.S.

HANDHOLE NOTES:

- HANDHOLES SHALL BE PRE-CAST CONCRETE, 4500 PSI @ 28 DAYS, MINIMUM.
- REINFORCING STEEL TO BE ASTM A-615, GRADE 60, SIZE NO. 4.
- SEAL ALL CONDUITS WITH "DUCT-SEAL" AFTER INSTALLING CABLES.
- HEAVY DUTY AIRPORT UTILITY FRAME AND COVER SHALL BE DUCTILE IRON, WITH 36" x 36" INSIDE OPENING WITH SPRING ASSISTANCE, NEENAH R-3498-R2S-"ELECTRIC", OR EQUAL. PROVIDE TWO (2) T-HANDLES AND TURN OVER TO OWNER.



DEKALB PEACHTREE AIRPORT
DEKALB COUNTY, GEORGIA

Michael Baker INTERNATIONAL

Designer:
GHL/RES

Technician:
GHL/RES

Checked by:
GHL

Project Number:
174297

Notes:



REVISIONS

No.	Description	Date	By

Project Name:

RUNWAY INCURSION MITIGATION IMPROVEMENTS (PDK 11)

Drawing Name:

LIGHTING DETAILS PLAN NO. 10

ITB# 20-101257

Date: **FEBRUARY, 2020** Sheet Number: **69** of **72**

Scale: **NTS** Drawing Number: **LD-10**