



DEKALB PEACHTREE AIRPORT
DEKALB COUNTY, GEORGIA

Michael Baker INTERNATIONAL

Designer:
W. MCNAMARA
Technician:
G. SUMMERS
Checked by:
D. SKURKY
Project Number:
174297



GSWCC LEVEL II DESIGN PROF. #000072532 EXP. 10/21/2022

AULICK ENGINEERING LLC
HYDRAULICS & HYDROLOGY | EROSION CONTROL
AIRFIELD DESIGN | CONSTRUCTION MANAGEMENT

- Notes:
- CONTRACTOR MAY SUBMIT APPROVED EQUAL FOR APPROVAL BY THE ENGINEER. APPROVED EQUAL SHALL BE ON CITY OF CHAMBLEE LIST OF APPROVED DEVICES.

REVISIONS			
No.	Description	Date	By

Project Name:
RUNWAY INCURSION MITIGATION IMPROVEMENTS (PDK 11)

Drawing Name:
DRAINAGE DETAILS NO. 6

ITB# 20-101257
Date: **FEBRUARY, 2020** Sheet Number: **36** of **72**
Scale: **N/A** Drawing Number: **DD-6**

CDS3035-6-C DESIGN NOTES

THE STANDARD CDS3035-6-C CONFIGURATION IS SHOWN. ALTERNATE CONFIGURATIONS ARE AVAILABLE AND ARE LISTED BELOW. SOME CONFIGURATIONS MAY BE COMBINED TO SUIT SITE REQUIREMENTS.

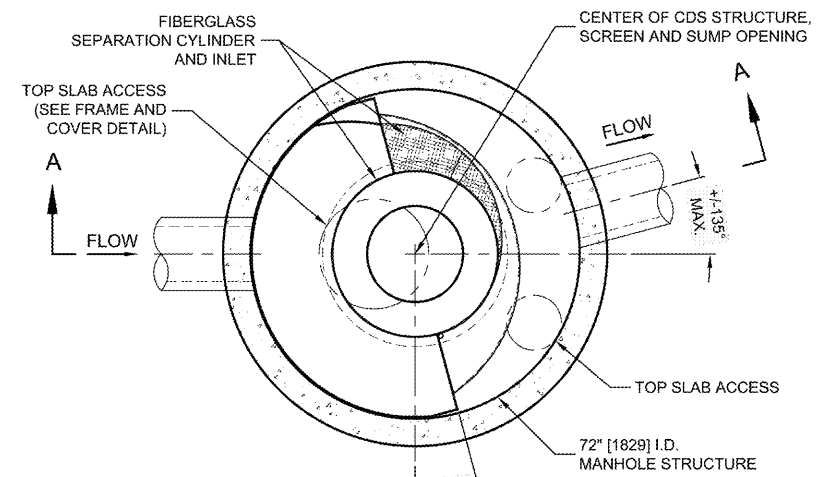
CONFIGURATION DESCRIPTION

GRATED INLET ONLY (NO INLET PIPE)
GRATED INLET WITH INLET PIPE OR PIPES
CURB INLET ONLY (NO INLET PIPE)
CURB INLET WITH INLET PIPE OR PIPES
SEPARATE OIL BAFFLE (SINGLE INLET PIPE REQUIRED FOR THIS CONFIGURATION)
SEDIMENT WEIR FOR NJDEP / NJCAT CONFORMING UNITS

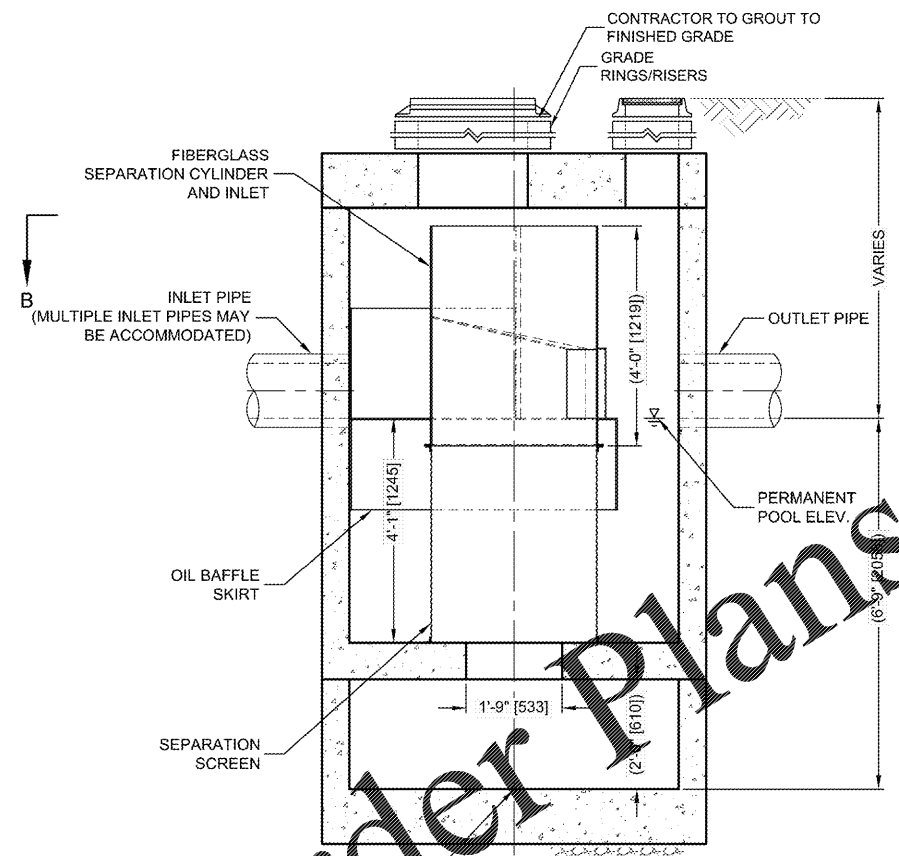
SITE SPECIFIC DATA REQUIREMENTS

STRUCTURE ID	
WATER QUALITY FLOW RATE (CFS OR L/s)	*
PEAK FLOW RATE (CFS OR L/s)	*
RETURN PERIOD OF PEAK FLOW (YRS)	*
SCREEN APERTURE (2400 OR 4700)	*
PIPE DATA:	I.E. MATERIAL DIAMETER
INLET PIPE 1	* * *
INLET PIPE 2	* * *
OUTLET PIPE	* * *
RIM ELEVATION	*
ANTI-FLOTATION BALLAST	WIDTH HEIGHT
	* * *
NOTES/SPECIAL REQUIREMENTS:	

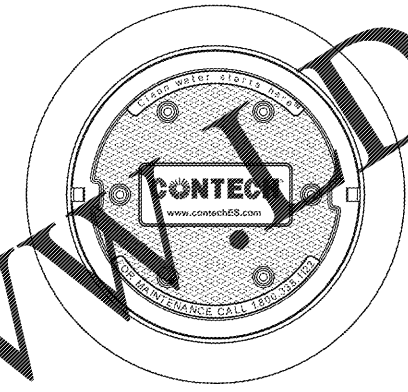
* PER ENGINEER OF RECORD



PLAN VIEW B-B
N.T.S.



ELEVATION A-A
N.T.S.



FRAME AND COVER
(DIAMETER VARIES)
N.T.S.

GENERAL NOTES

- CONTECH TO PROVIDE ALL MATERIALS UNLESS NOTED OTHERWISE.
- DIMENSIONS MARKED WITH () ARE REFERENCE DIMENSIONS. ACTUAL DIMENSIONS MAY VARY.
- FOR FABRICATION DRAWINGS WITH DETAILED STRUCTURE DIMENSIONS AND WEIGHTS, PLEASE CONTACT YOUR CONTECH ENGINEERED SOLUTIONS LLC REPRESENTATIVE. www.contechES.com
- CDS WATER QUALITY STRUCTURE SHALL BE IN ACCORDANCE WITH ALL DESIGN DATA AND INFORMATION CONTAINED IN THIS DRAWING.
- STRUCTURE SHALL MEET AASHTO HS20 AND CASTINGS SHALL MEET HS20 (AASHTO M 306) LOAD RATING, ASSUMING GROUNDWATER ELEVATION AT, OR BELOW, THE OUTLET PIPE INVERT ELEVATION. ENGINEER OF RECORD TO CONFIRM ACTUAL GROUNDWATER ELEVATION.
- PVC HYDRAULIC SHEAR PLATE IS PLACED ON SHELF AT BOTTOM OF SCREEN CYLINDER. REMOVE AND REPLACE AS NECESSARY DURING MAINTENANCE CLEANING.

INSTALLATION NOTES

- ANY SUB-BASE, BACKFILL DEPTH, AND/OR ANTI-FLOTATION PROVISIONS ARE SITE-SPECIFIC DESIGN CONSIDERATIONS AND SHALL BE SPECIFIED BY ENGINEER OF RECORD.
- CONTRACTOR TO PROVIDE EQUIPMENT WITH SUFFICIENT LIFTING AND REACH CAPACITY TO LIFT AND SET THE CDS MANHOLE STRUCTURE (LIFTING CLUTCHES PROVIDED).
- CONTRACTOR TO ADD JOINT SEALANT BETWEEN ALL STRUCTURE SECTIONS, AND ASSEMBLE STRUCTURE.
- CONTRACTOR TO PROVIDE, INSTALL, AND GROUT PIPES. MATCH PIPE INVERTS WITH ELEVATIONS SHOWN.
- CONTRACTOR TO TAKE APPROPRIATE MEASURES TO ASSURE UNIT IS WATER TIGHT, HOLDING WATER TO FLOWLINE INVERT MINIMUM. IT IS SUGGESTED THAT ALL JOINTS BELOW PIPE INVERTS ARE GROUTED.

CONTECH
ENGINEERED SOLUTIONS LLC
www.contechES.com
9025 Centre Pointe Dr., Suite 400, West Chester, OH 45069
800-338-1122 513-645-7000 513-645-7993 FAX

CDS3035-6-C
INLINE CDS
STANDARD DETAIL

WATER QUALITY DEVICE - STRUCTURE V1.2.1
N.T.S.

C:\USERS\SLACHTER\DESKTOP\CDS DETAILS 180 MICRON SIZING\CAD\CDS3035-6-C-DTL.DWG 5/19/2014 5:33 PM

Order Plans

@

www.IDIline.com