



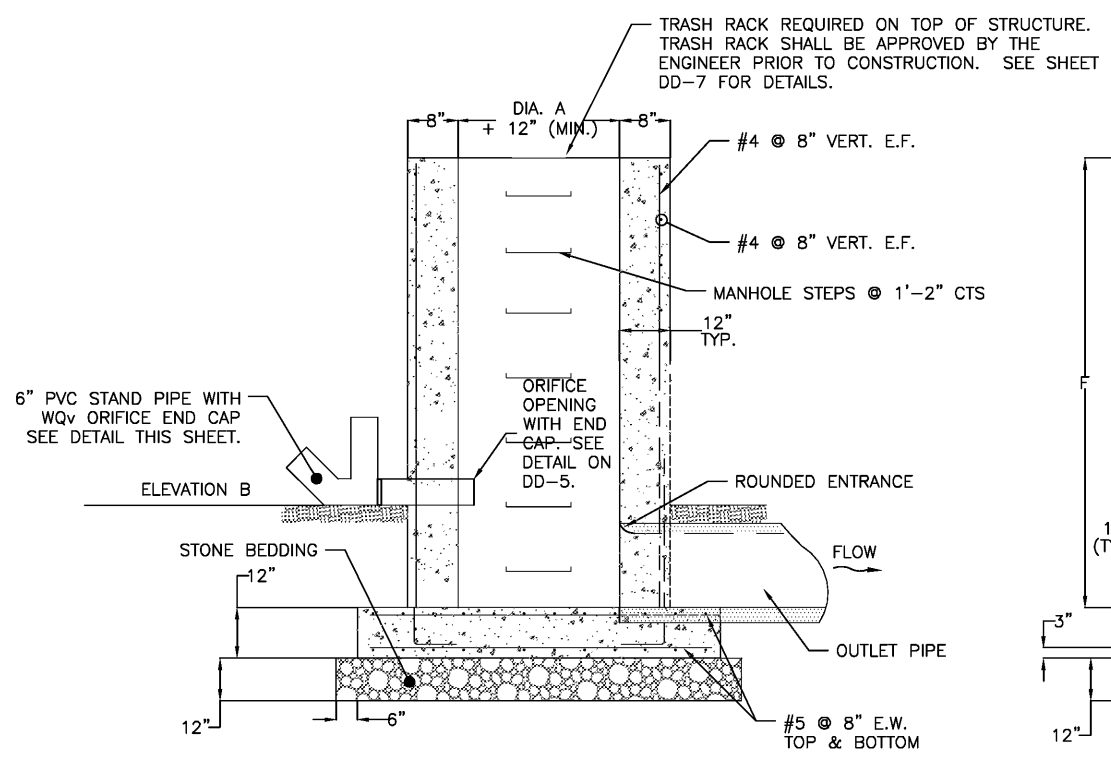
DEKALB PEACHTREE AIRPORT
DEKALB COUNTY, GEORGIA

Michael Baker INTERNATIONAL

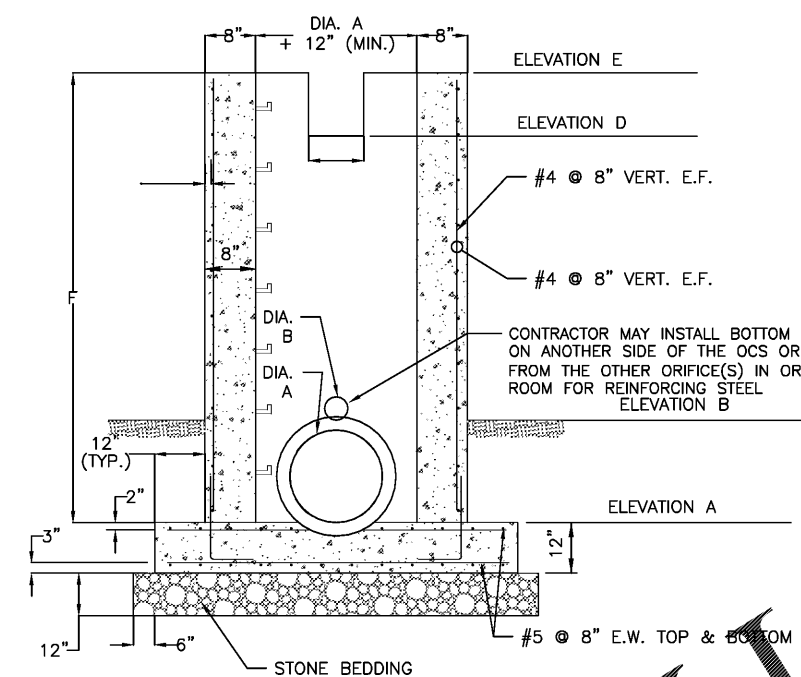
Designer: **W. MCNAMARA**
Technician: **G. SUMMERS**
Checked by: **D. SKURKY**
Project Number: **174297**



AULICK ENGINEERING LLC
HYDRAULICS & HYDROLOGY | EROSION CONTROL
AIRFIELD DESIGN | CONSTRUCTION MANAGEMENT

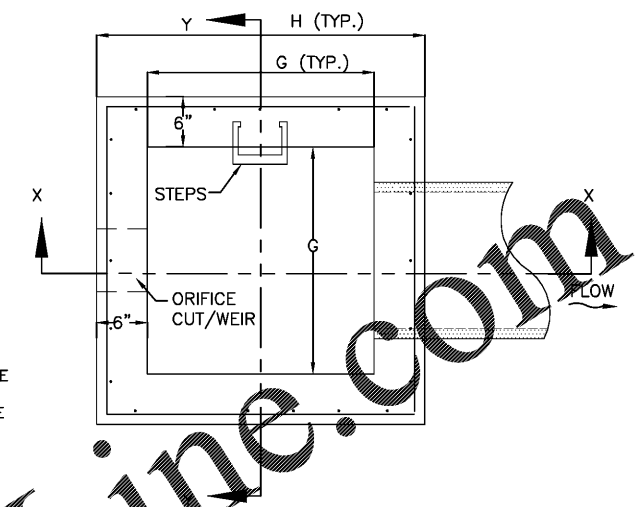


SECTION X-X
(SEE SIDE VIEW - GRATE DETAIL)
N.T.S.



OUTLET CONTROL STRUCTURE
N.T.S.

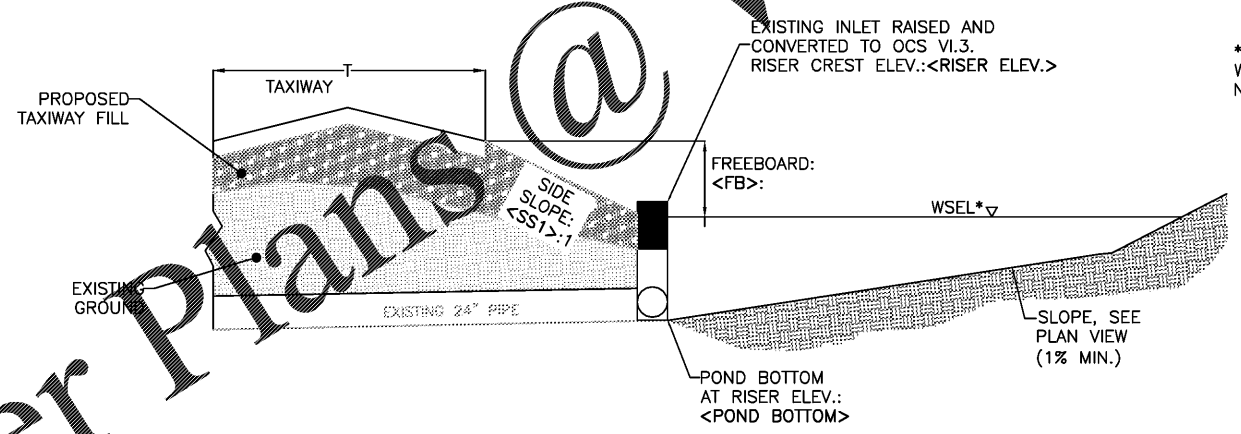
SECTION Y-Y
N.T.S.



OUTLET CONTROL STRUCTURE TOP VIEW
N.T.S.

- NOTES:
1. 4000 PSI, CONCRETE TO BE USED THROUGHOUT.
 2. ALL REINFORCING STEEL WHERE JOINED SHALL HAVE 18" MIN. OVERLAP UNLESS NOTED OTHERWISE.
 3. FORMS ARE TO BE USED FOR THE CONSTRUCTION OF THE BOTTOM SLAB.
 4. RISERS OVER 3'-6" IN DEPTH SHALL BE PROVIDED WITH STEPS ON 1'-2" CTRS. SEE DETAIL, SEE DRAINAGE DETAILS.

Pond ID	ELEVATION A (EX. OUTLET PIPE)	DIAMETER A* (EX. OUTLET PIPE) (IN)	ELEVATION B (POND BOTTOM)	ELEVATION B1 (ORIFICE)	DIAMETER B1* (PVC STAND PIPE) (IN)	DIAMETER B2 (DRAWDOWN ORIF.) (IN)	ELEVATION C (ORIFICE)	DIAMETER C1 (DRAWDOWN) (IN)	DIAMETER C2 (DRAWDOWN) (IN)	ELEVATION (WEIR)	WIDTH D (WEIR) (IN)	ELEVATION E (TOP OF RISER)	DIMENSION F (HEIGHT OF RISER) (FT)	DIMENSION G (IN)	DIMENSION H (IN)
Pond VI	980.6	24	984.0	984.0	6	3	N/A	N/A	N/A	N/A	N/A	986.8	6.2	48.0	48.0



*NOTE: THIS IS A DRY POND, WSEL SHOWN FOR FREEBOARD, NOT PERMANENT POOL.

STORMWATER MANAGEMENT FACILITY DETAIL
SECTION A-A
N.T.S.

Pond ID	POND BOTTOM	SPILLWAY ELEV.	TOP OF TAXIWAY ELEV.	SS1*	25-YR WSEL	100-YR WSEL	25-YR FB (ft)	100-YR FB (ft)
Pond VI	984.0	N/A	990.5	4:0	987.0	987.3	3.5	3.2

STORMWATER FACILITY TABLE

- NOTES:
1. CONTRACTOR SHALL CLEAN OUT POND TO FINAL GRADES AND GRASS AFTER ALL UPSTREAM DISTURBANCE IS STABILIZED.

REVISIONS			
No.	Description	Date	By

Project Name: **RUNWAY INCURSION MITIGATION IMPROVEMENTS (PDK 11)**

Drawing Name: **DRAINAGE DETAILS NO. 4**

ITB# 20-101257

Date: **FEBRUARY, 2020** Sheet Number: **34** of **72**

Scale: **N/A** Drawing Number: **DD-4**

Order Plans @ WWW.LDIDLine.com

WWW.LDIDLine.com