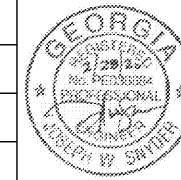




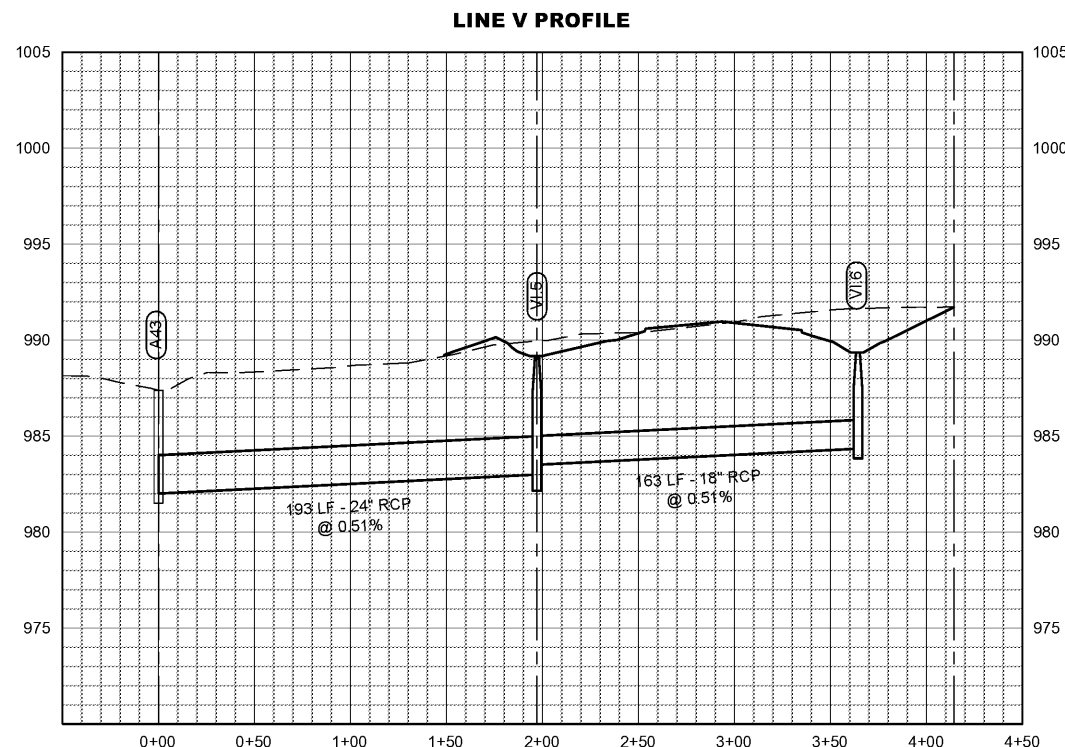
**DEKALB PEACHTREE  
AIRPORT**  
DEKALB COUNTY, GEORGIA

**Michael Baker  
INTERNATIONAL**

Designer:  
**CPC**  
Technician:  
**KJM**  
Checked by:  
**JWS**  
Project Number:  
**174297**

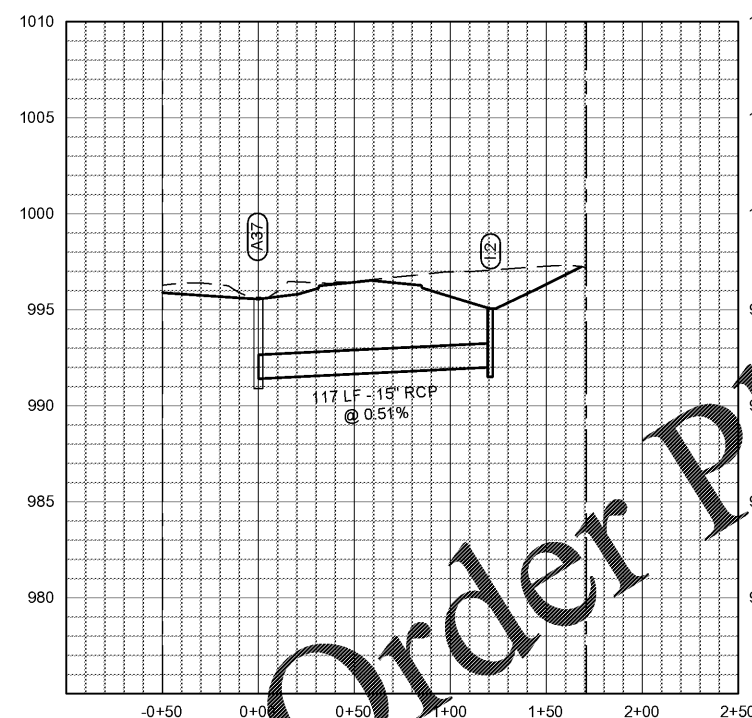


Notes:

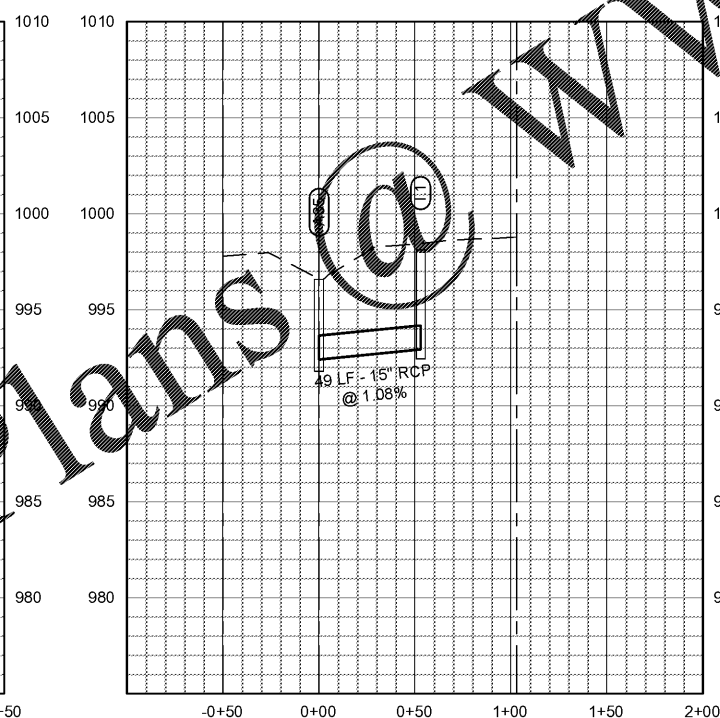


STRUCTURE INFORMATION TABLE					
STRUCTURE ID	DESCRIPTION	RIM ELEV	CONNECTED PIPE INV.	LOCATION	LOCATION
VI.6	DI	989.35'	INV OUT:984.34' (SW)	N: 1409140.00 E: 2255494.9	STA 16+45.77' C OFF 73.69' LT
VI.5	DI	989.16'	INV IN:983.50' (NE) INV OUT:982.99' (SW)	N: 1408988.46 E: 2255424.35	STA 16+37.13 TW C OFF 96.05' RT
A43	EX DI (REC)	987.38'	INV IN:982.00' (N)	N: 1408905.29 E: 2255245.66	STA 14+99.08 TW C OFF 236.73' RT

**LINE I-1 PROFILE**



**LINE I-2 PROFILE**



STRUCTURE INFORMATION TABLE					
STRUCTURE ID	DESCRIPTION	RIM ELEV	CONNECTED PIPE INV.	LOCATION	LOCATION
I.1	EX DI (REC)	998.12'	INV OUT:992.93' (N)	N: 1409259.26 E: 2254795.88	STA 38+25.79 TWY A OFF -46.41' LT
I.2	DI	995.05'	INV OUT:992.00' (NE)	N: 1409200.12 E: 2254957.51	STA 11+25.68 TW C OFF 62.03' RT
A35	EX DI (REC)	996.58'	INV IN:992.40' (S) INV OUT:992.30' (E)	N: 1409311.20 E: 2254806.75	STA 38+78.23 TWY A OFF -54.50' LT
A37	EX DI (REC)	995.55'	INV IN:991.50' (W) INV IN:991.40' (SW)	N: 1409310.98 E: 2255005.46	STA 11+31.60 TW C OFF -58.62' LT

**REVISIONS**

No.	Description	Date	By

Project Name:

**RUNWAY INCURSION  
MITIGATION IMPROVEMENTS  
(PDK 11)**

Drawing Name:

**STORM DRAIN  
PIPE PROFILES**

**ITB# 20-101257**

Date: **FEBRUARY, 2020** Sheet Number: **30** of **72**  
Scale: **1" = 50' H** Drawing Number: **PP-1**  
**1" = 5' V**

