

NO.	DESCRIPTION
1	PLAN REVIEW DATED 12-30-2019

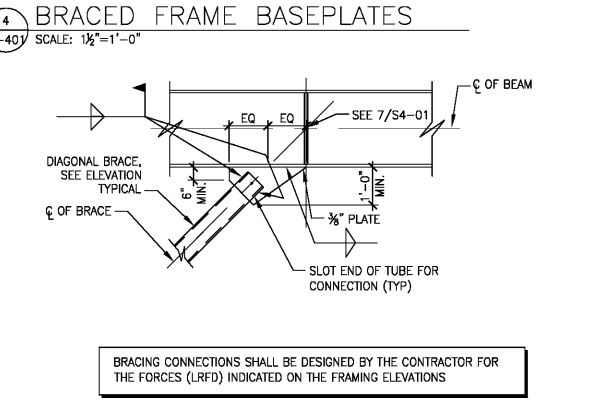
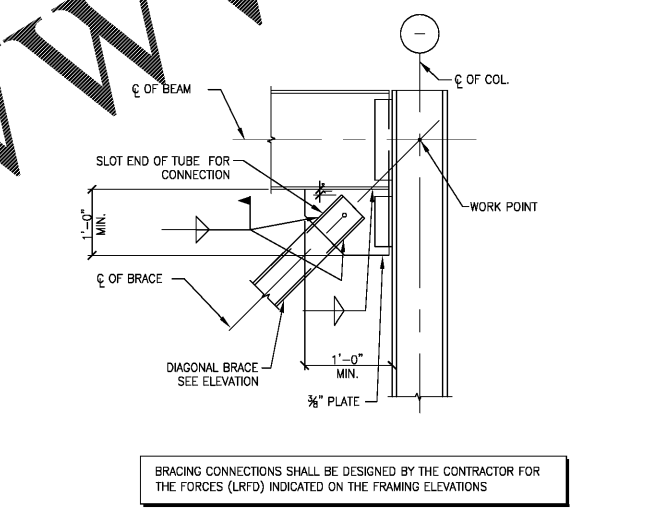
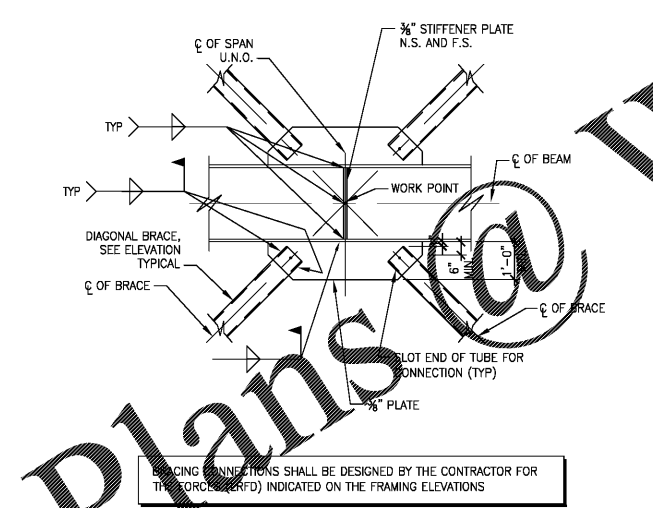
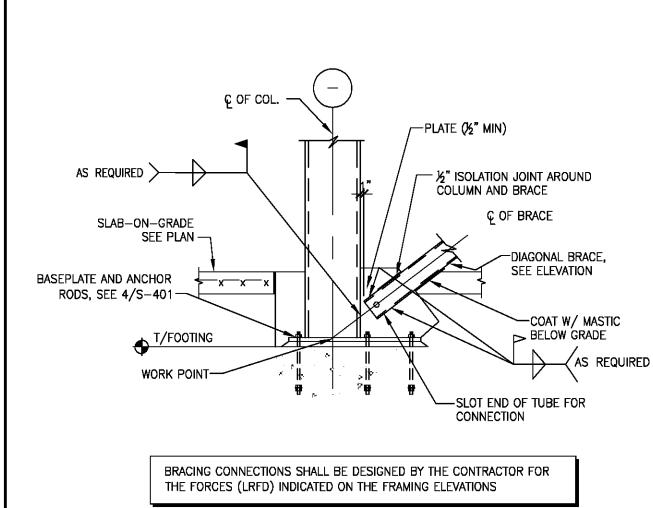
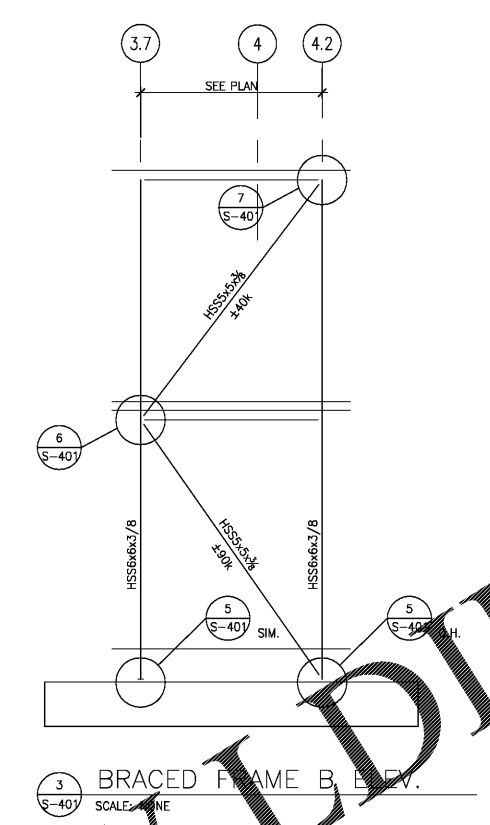
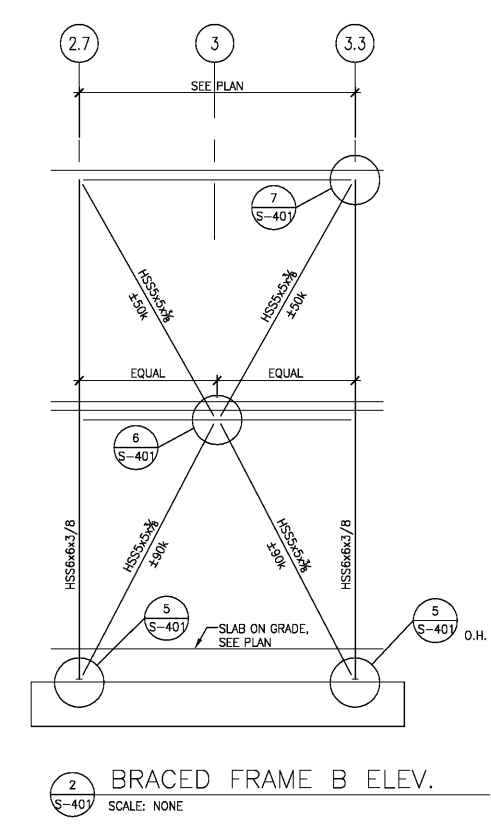
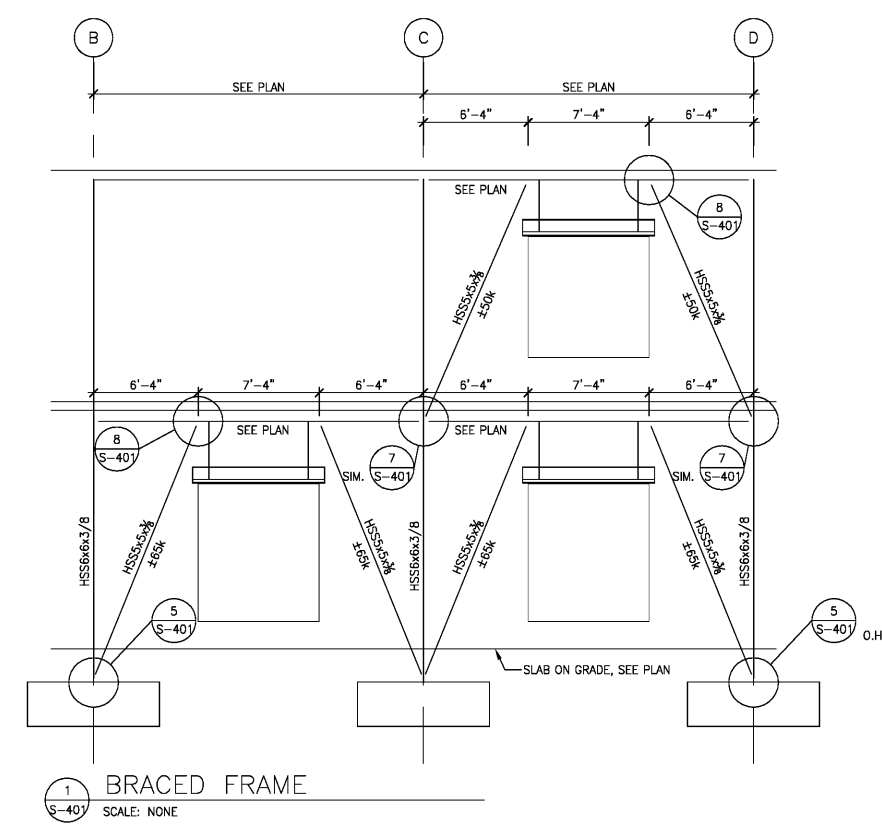
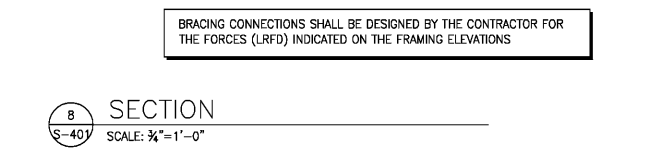
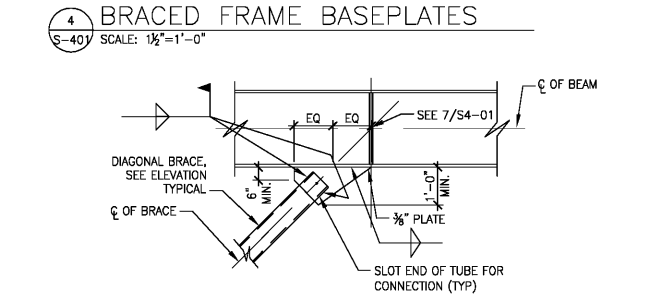
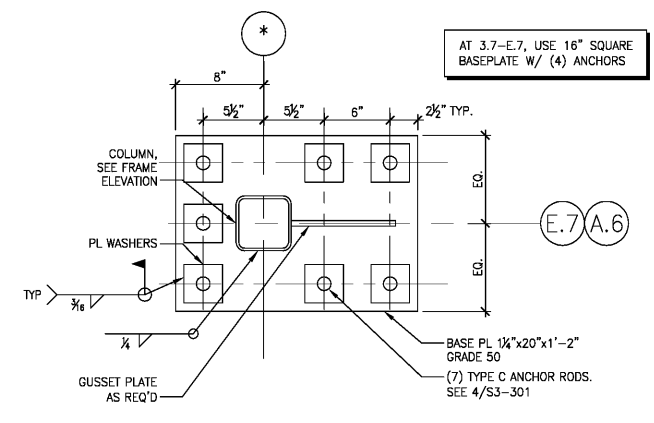
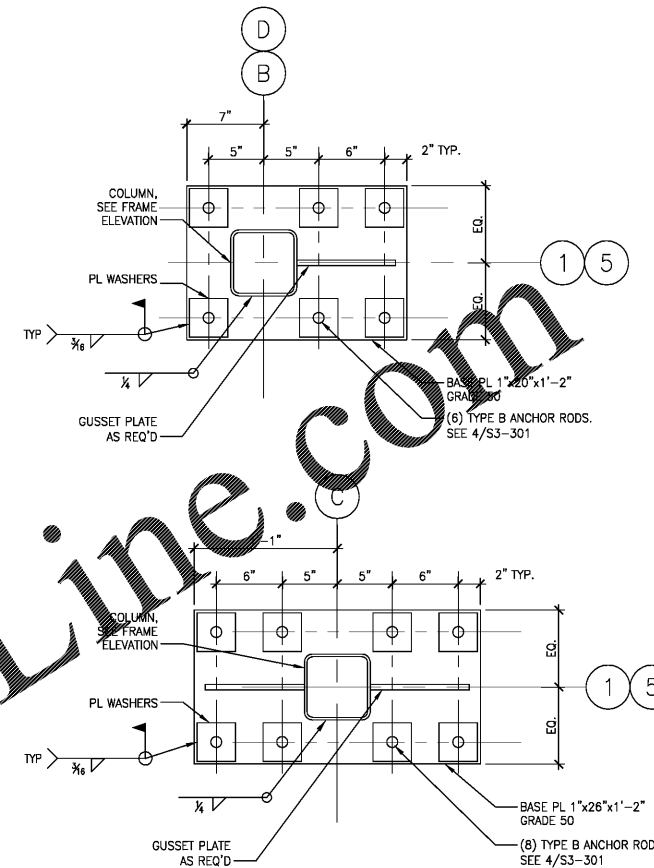
LAWSON OFFICE BUILDING
 CORE & SHELL
 NEWMAN CROSSING BYPASS
 NEWMAN, GEORGIA 309263
 PROJECT #2843



NOVEMBER 08, 2019
 PERMIT SET
 RELEASED FOR CONSTRUCTION

SECTIONS AND DETAILS

DRAWING TITLE
 © COPYRIGHT 2019
 JEFFERSON BROWNE GRESHAM ARCHITECTS
 THIS DOCUMENT AS AN INSTRUMENT OF SERVICE REMAINS THE PROPERTY OF JEFFERSON BROWNE GRESHAM ARCHITECTS AND NO PART THEREOF MAY BE REPRODUCED IN ANY FORM WITHOUT WRITTEN PERMISSION FROM JEFFERSON BROWNE GRESHAM ARCHITECTS.
 Drawn By: [Blank]
 Checked By: [Blank]
 PROJECT # 18-2843



Order Plans @ WWW.LDILine.com

BRACING CONNECTIONS SHALL BE DESIGNED BY THE CONTRACTOR FOR THE FORCES (LRFD) INDICATED ON THE FRAMING ELEVATIONS

BRACING CONNECTIONS SHALL BE DESIGNED BY THE CONTRACTOR FOR THE FORCES (LRFD) INDICATED ON THE FRAMING ELEVATIONS

BRACING CONNECTIONS SHALL BE DESIGNED BY THE CONTRACTOR FOR THE FORCES (LRFD) INDICATED ON THE FRAMING ELEVATIONS

BRACING CONNECTIONS SHALL BE DESIGNED BY THE CONTRACTOR FOR THE FORCES (LRFD) INDICATED ON THE FRAMING ELEVATIONS