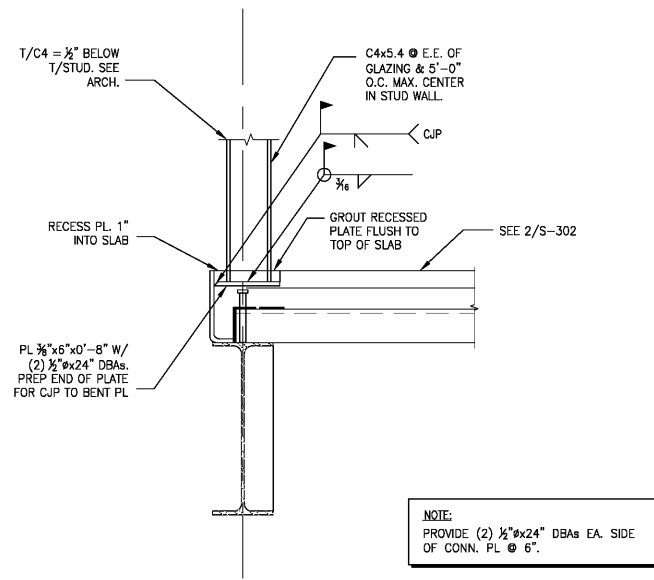


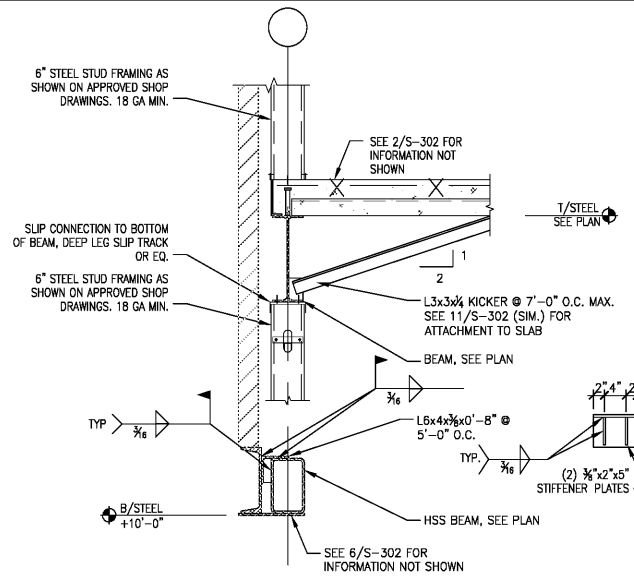
- NOTES:
- LOADS SHOWN ARE SERVICE LEVEL. UPLIFT WINDLOADS INCLUDE DL AVAILABLE TO RESIST UPLIFT AND SHALL NOT BE REDUCED FURTHER.
 - REACTIONS SHOWN OVER SUPPORT SHALL BE TRANSMITTED THROUGH THE SEAT.
 - SEE GENERAL NOTES FOR ROLLOVER DESIGN REQUIREMENTS

1 TRUSS LOAD DIAGRAM
S-305 SCALE: NONE

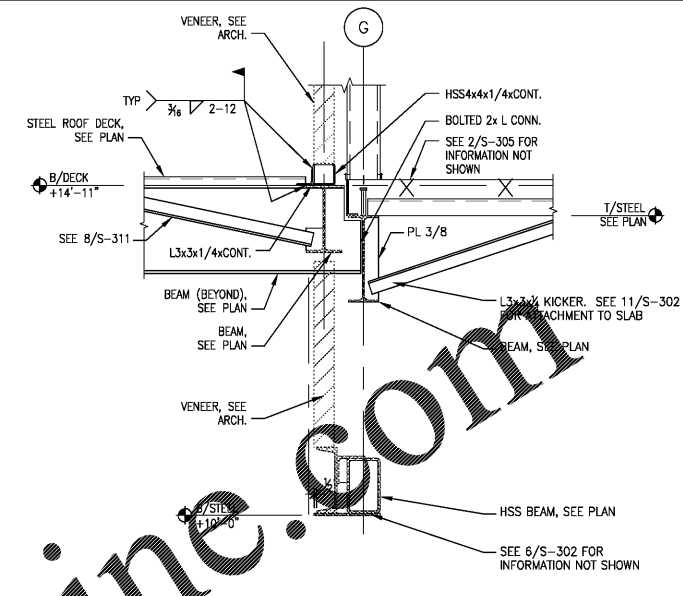


NOTE:
PROVIDE (2) 1/2" x 24" DBAs EA. SIDE OF CONN. PL @ 6".

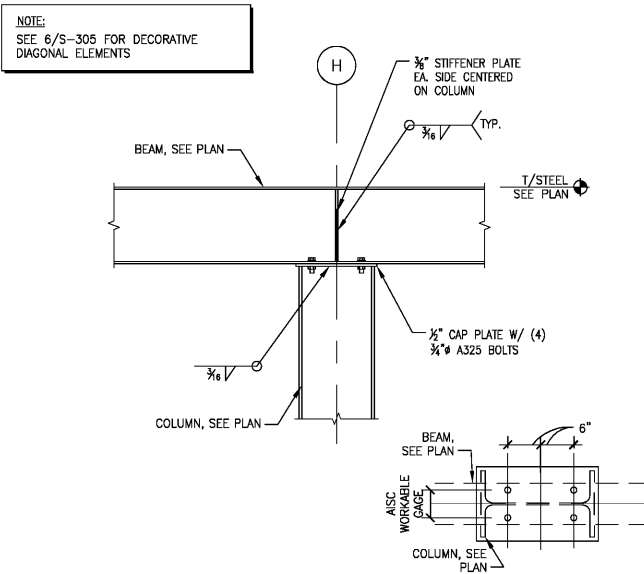
2 WINDOW SILL SUPPORT
S-305 SCALE: 1/2" = 1'-0"



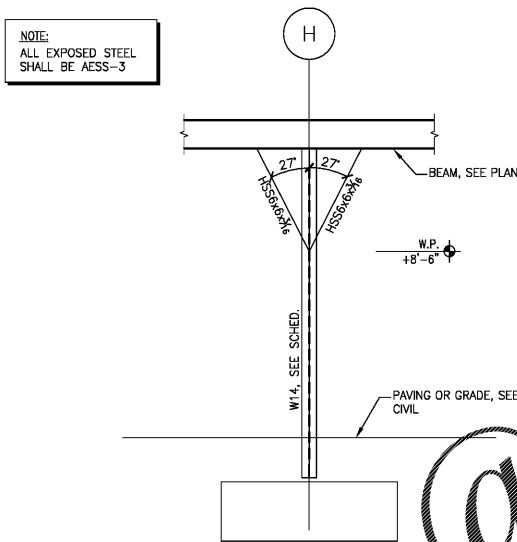
3 FLOOR FRAMING DETAIL
S-305 SCALE: 3/4" = 1'-0"



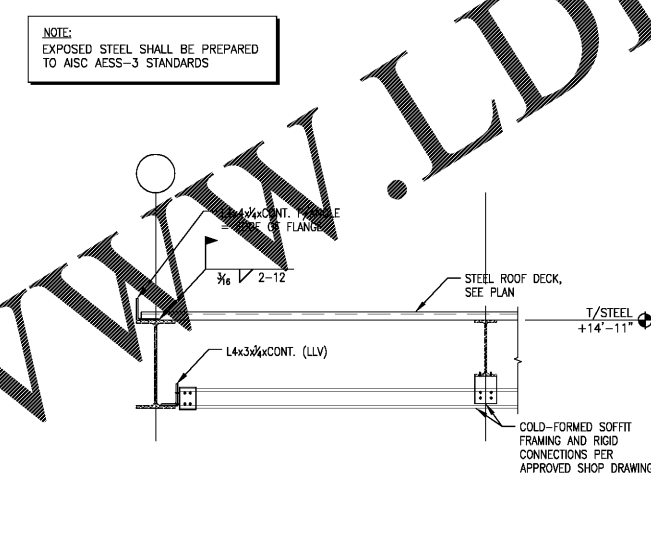
4 SECTION THROUGH CANOPY
S-305 SCALE: 3/4" = 1'-0"



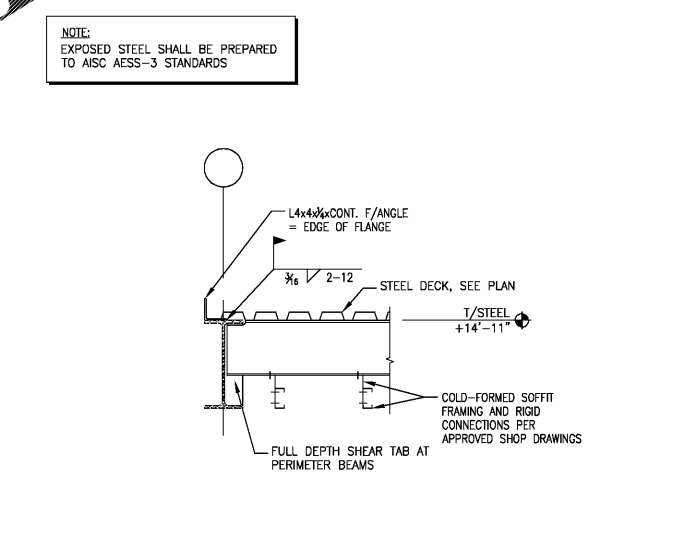
5 BEAM OVER COLUMN
S-305 SCALE: 3/4" = 1'-0"



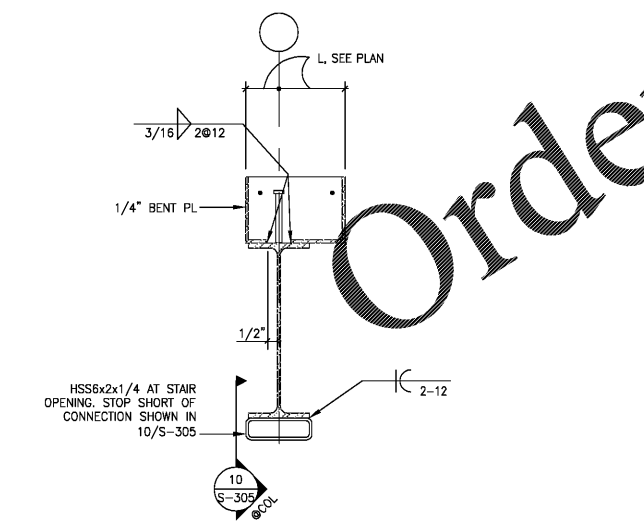
6 DRIVE CANOPY COLUMN
S-305 SCALE: 3/4" = 1'-0"



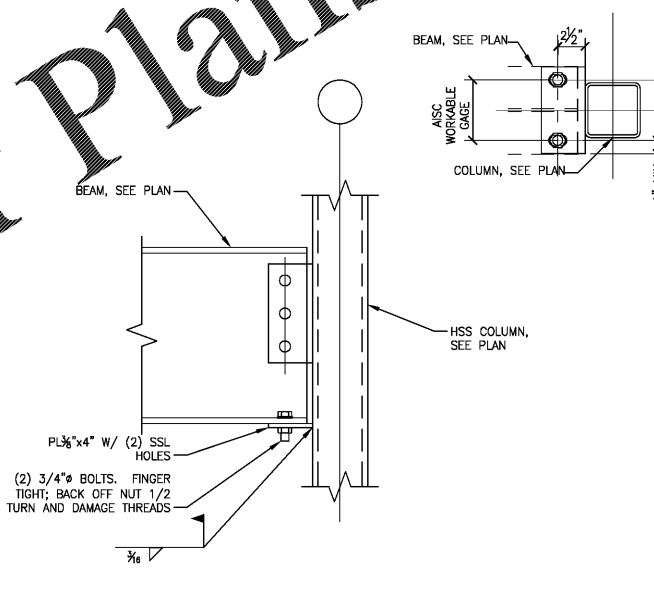
7 CANOPY FRAMING DETAIL
S-305 SCALE: 3/4" = 1'-0"



8 CANOPY FRAMING DETAIL
S-305 SCALE: 3/4" = 1'-0"



9 FLOOR EDGE DETAIL AT STAIR
S-305 SCALE: NONE



10 STAIR BEAM TO COLUMN
S-305 SCALE: 1-1/2" = 1'-0"

Order Plans @

WWW.LDILLINE.COM

JBG

JEFFERSON BROWNE GRESHAM ARCHITECTS
170 HUNTERTON RD., SUITE 1200
MARIETTA CITY, GEORGIA 30067
770-438-9945
JEFFERSONBROWNEARCHITECTS.COM

REVISIONS

NO.	DESCRIPTION

RENEWED MEDICAL BUILDING
CORE & SHELL ONLY
SOUTH FULTON, GEORGIA
PROJECT #19-9883

PROJECT



03/27/2020
SEAL
MARCH 27, 2020
PERMIT SET
RELEASED FOR CONSTRUCTION
RELEASE DATE

SECTIONS AND DETAILS

DRAWING TITLE

© COPYRIGHT 2020 JEFFERSON BROWNE GRESHAM ARCHITECTS
THIS DOCUMENT AS AN INSTRUMENT OF SERVICE REMAINS THE PROPERTY OF JEFFERSON BROWNE GRESHAM ARCHITECTS AND NO PART THEREOF MAY BE REPRODUCED IN ANY FORM WITHOUT WRITTEN PERMISSION FROM JEFFERSON BROWNE GRESHAM ARCHITECTS.

Drawn By:
Checked By:
PROJECT # 19-9883

GGHE
GOODMAN GIANNAVOLA HINES ENGINEERS
311 44th STREET
SUITE 2
ATLANTA, GA 30318
GGHEngineers.com

S-305