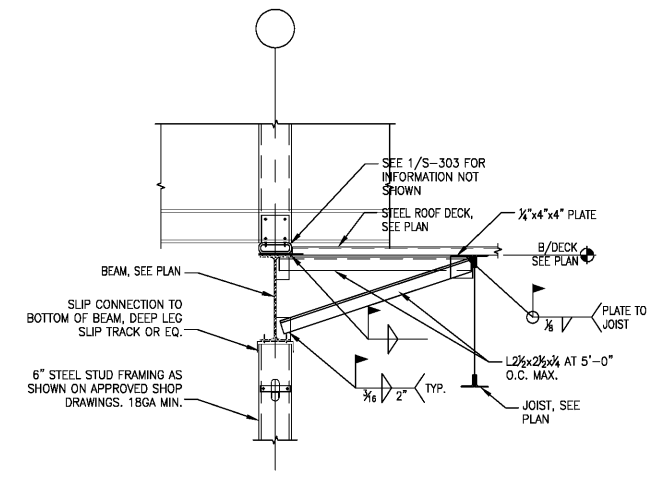
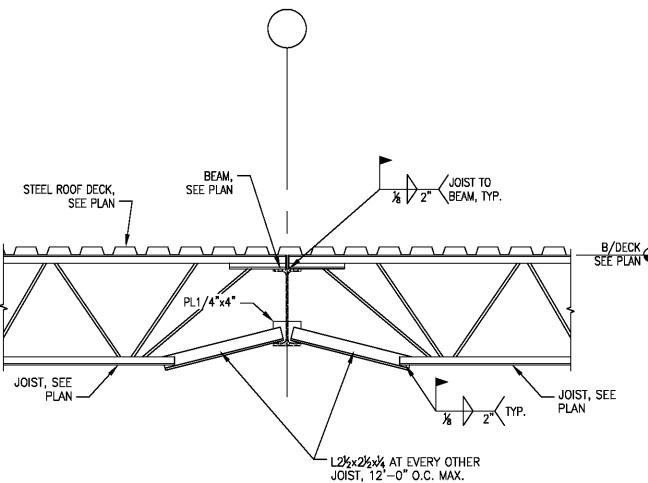


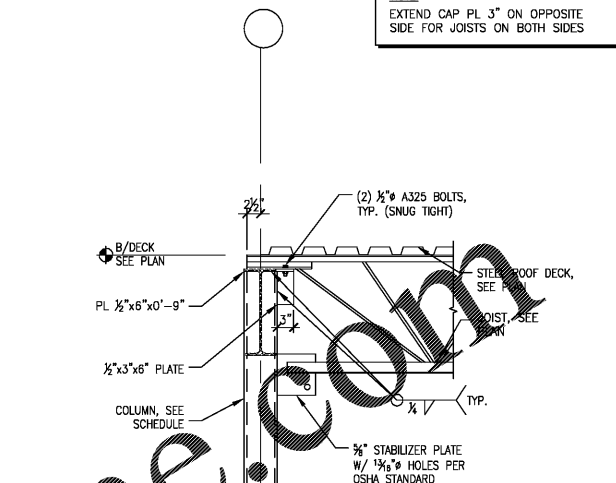
1 ROOF FRAMING DETAIL  
SCALE: 3/4"=1'-0"



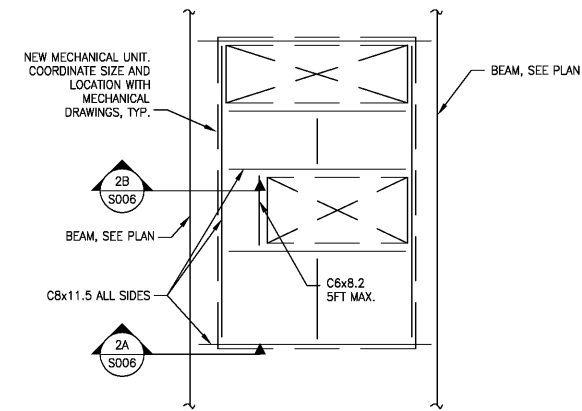
2 ROOF FRAMING DETAIL  
SCALE: 3/4"=1'-0"



3 GIRDER BRACING DETAIL  
SCALE: 3/4"=1'-0"

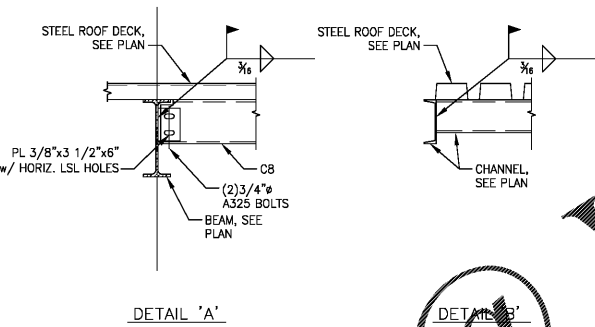


4 JOINT TO COLUMN  
SCALE: 3/4"=1'-0"

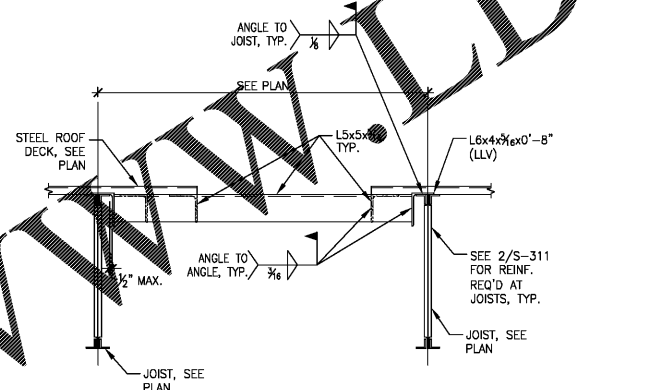


NOTES:  
1. PROVIDE SUPPORT FRAMING AROUND ROOF OPENINGS AND AT PERIMETER OF ROOF TOP MECHANICAL UNITS UNDER MECH. UNIT CURBS.  
2. MECHANICAL UNIT CURBS TO BE BOLTED TO SUPPORT STEEL BELOW ROOF DECK PER REQUIREMENTS ON MECHANICAL DETAILS.  
3. COORDINATE THE LOCATION, DIMENSIONS AND BOLT HOLE REQUIREMENTS FOR MECHANICAL UNITS, MECHANICAL UNIT CURBS AND ROOF OPENINGS WITH MECHANICAL DRAWINGS.

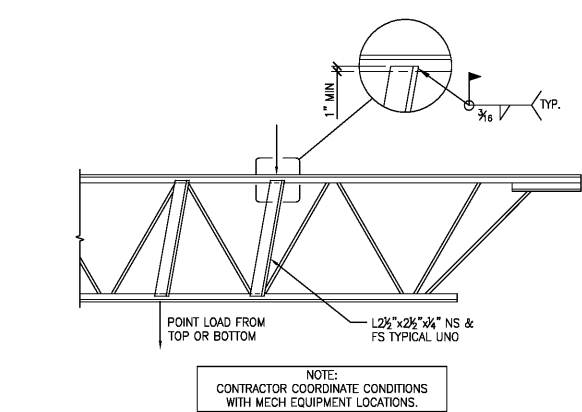
5 MECH. UNIT SUPPORT FRAMING  
SCALE: NONE



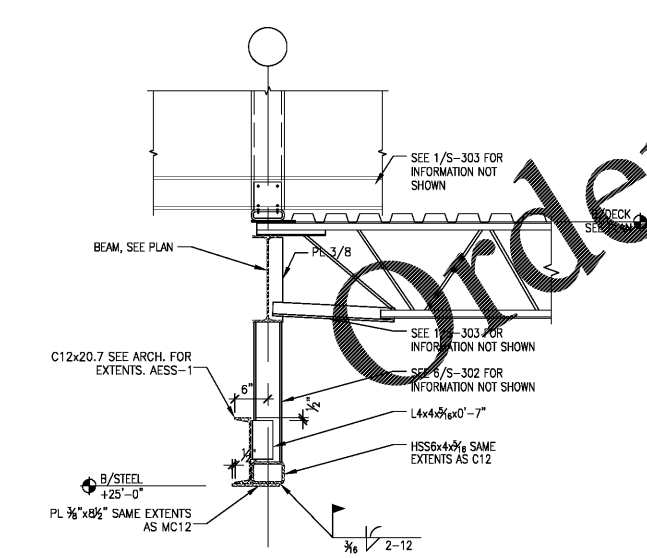
6 CONNECTION DETAILS  
SCALE: NONE



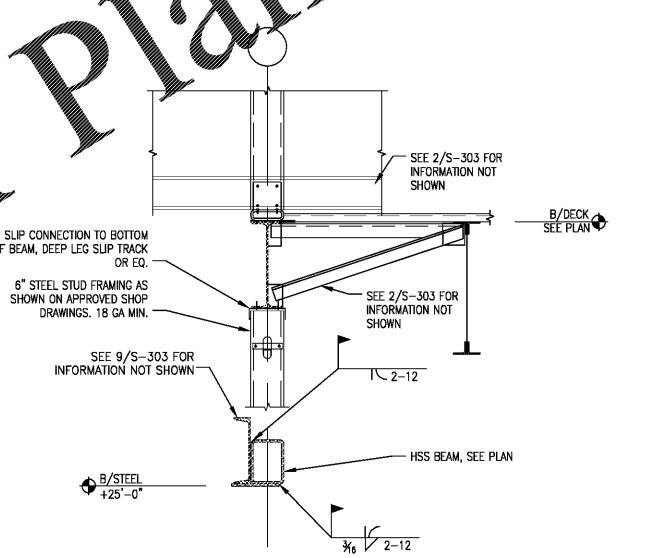
7 TYPICAL ROOF OPENING SUPPORT FRAMING  
SCALE: N.T.S.



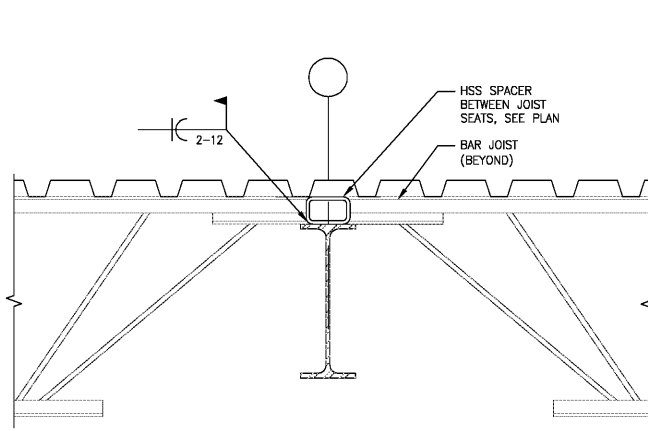
8 JOIST REINFORCEMENT DETAIL  
SCALE: N.T.S.



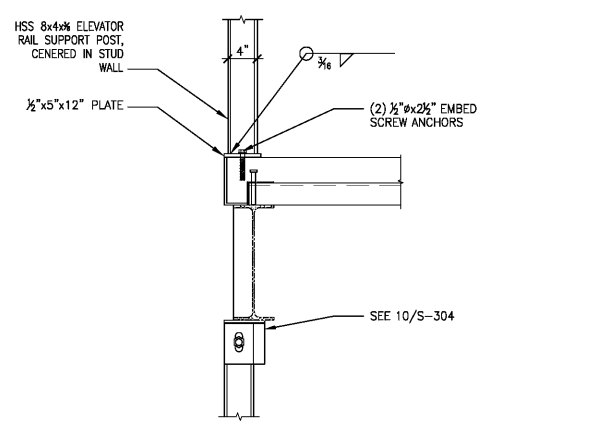
9 ROOF FRAMING DETAIL  
SCALE: 3/4"=1'-0"



10 ROOF FRAMING DETAIL  
SCALE: 3/4"=1'-0"



11 SECTION AT HSS  
SCALE: 3/4"=1'-0"



10 ELEVATOR RAIL SUPPORT  
SCALE: 1"=1'-0"

NOTE:  
EXTEND CAP PL 3" ON OPPOSITE SIDE FOR JOISTS ON BOTH SIDES



JEFFERSON BROWNE GRESHAM ARCHITECTS  
170 HUNTERTON RD., SUITE 1200  
ROSELAND, GA 30086  
770-288-9949  
JEFFERSONBROWNEARCHITECTS.COM

REVISIONS	
NO.	DESCRIPTION

RENEWED MEDICAL BUILDING  
CORE & SHELL ONLY  
SOUTH FULTON, GEORGIA  
PROJECT #19-9883



PERMIT SET  
RELEASED FOR CONSTRUCTION  
MARCH 27, 2020  
RELEASE DATE

SECTIONS AND DETAILS

DRAWING TITLE  
© COPYRIGHT 2020 JEFFERSON BROWNE GRESHAM ARCHITECTS  
THIS DOCUMENT IS AN INSTRUMENT OF SERVICE  
REMAINS THE PROPERTY OF JEFFERSON BROWNE GRESHAM ARCHITECTS AND NO PART THEREOF MAY BE REPRODUCED IN ANY FORM WITHOUT WRITTEN PERMISSION FROM JEFFERSON BROWNE GRESHAM ARCHITECTS.



Drawn By:   
Checked By:   
DATE:   
PROJECT # 19-9883

S-303