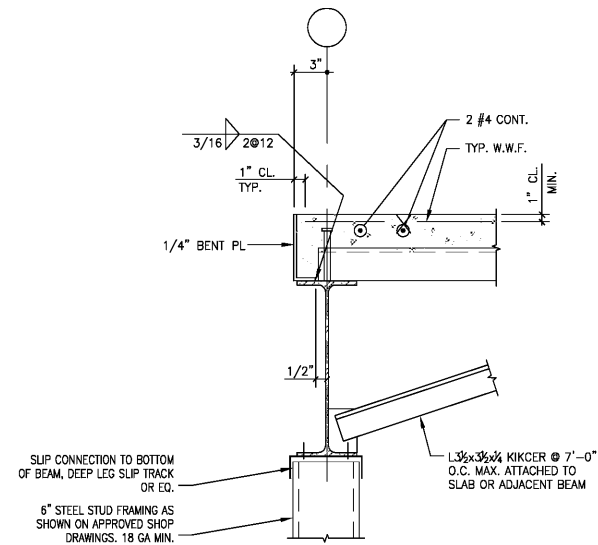
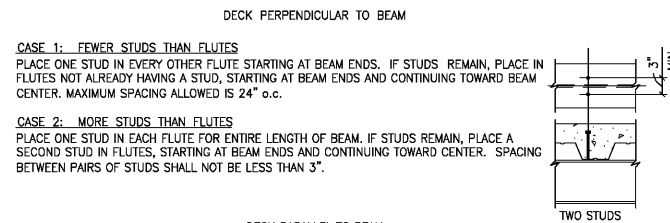


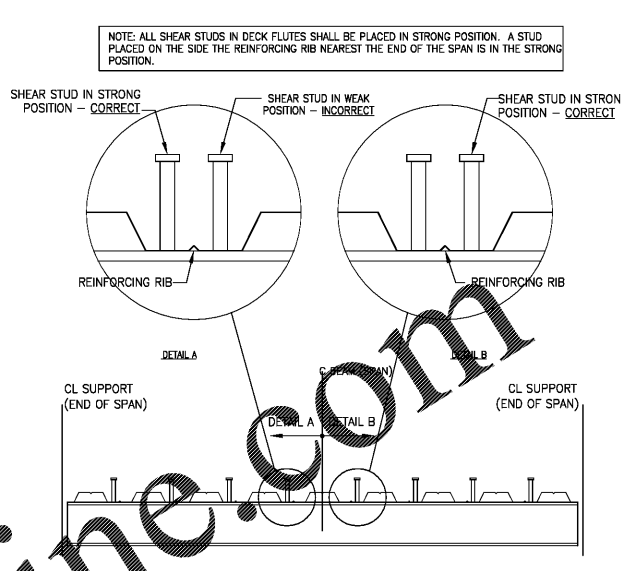
1 TYPICAL FLOOR EDGE DETAIL (PARALLEL)
S-302 SCALE: NONE



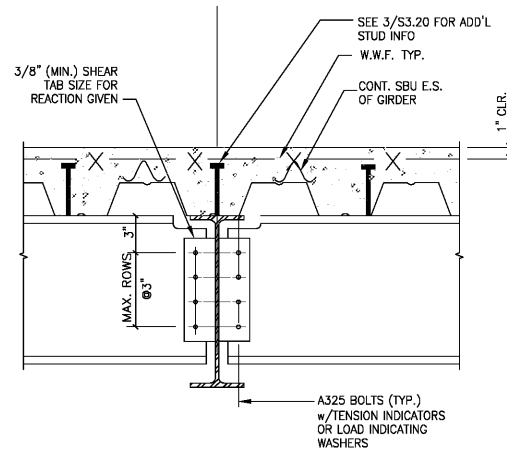
2 TYPICAL FLOOR EDGE DETAIL (PERP.)
S-302 SCALE: NONE



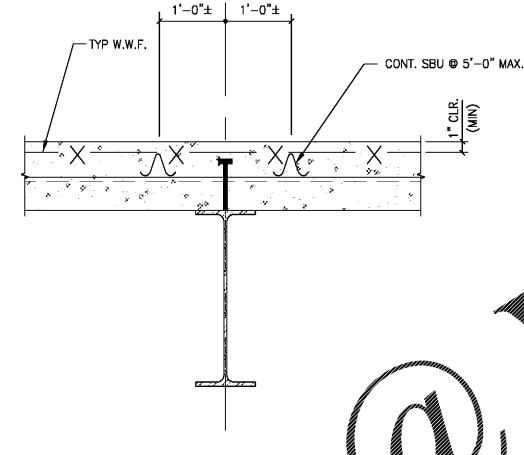
3 TYPICAL STUD PLACEMENT DETAIL
S-302 SCALE: NONE



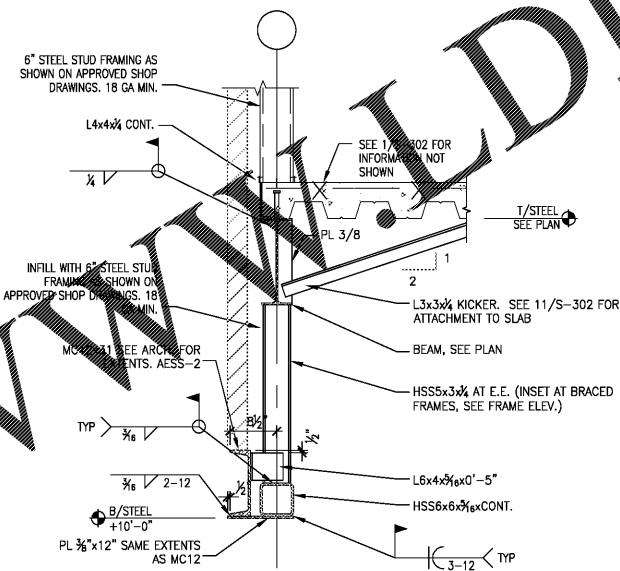
4 TYPICAL STUD PLACEMENT DETAIL
S-302 SCALE: NONE



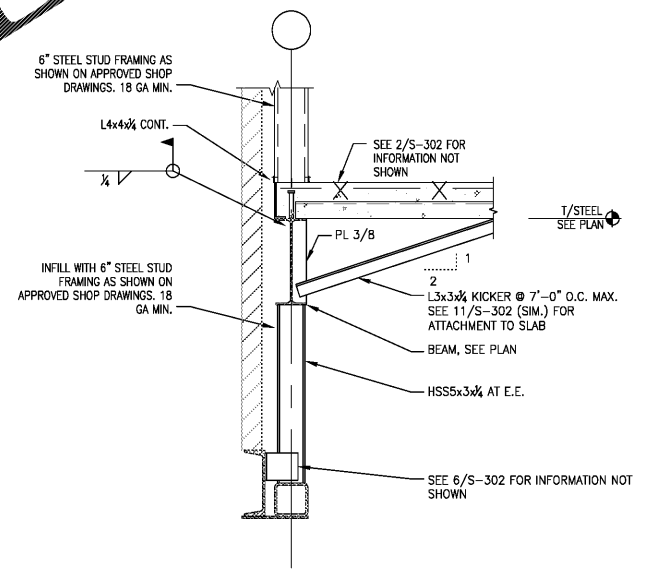
4 TYPICAL SLAB TO GIRDER CONNECTION
S-302 SCALE: NONE



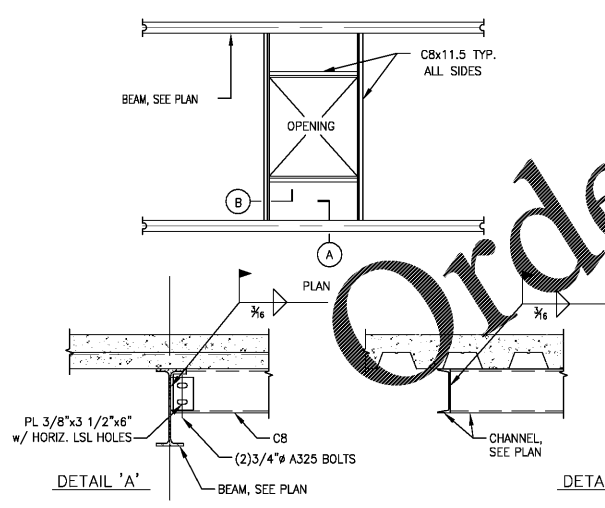
5 TYPICAL SLAB TO FILLER BEAM DETAIL
S-302 SCALE: NONE



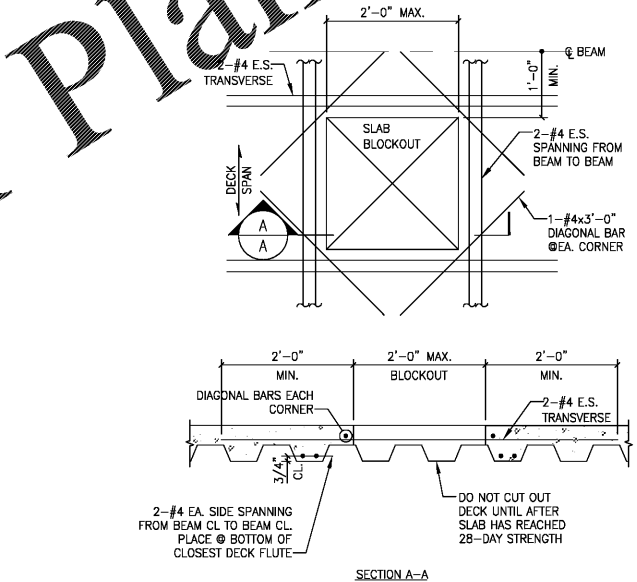
6 FLOOR FRAMING DETAIL
S-302 SCALE: 3/4\"/>



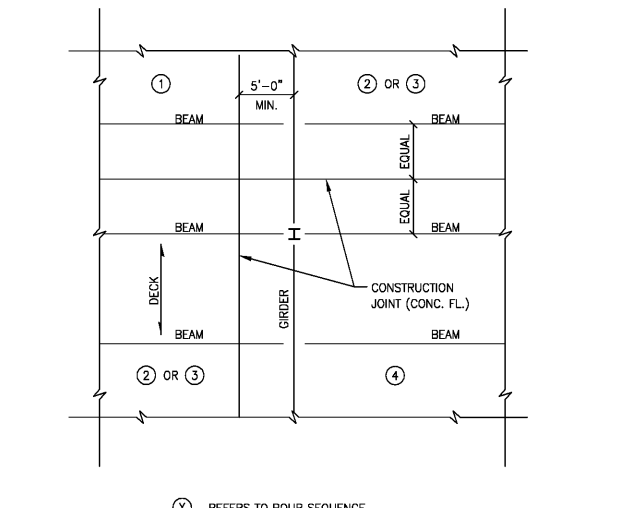
7 FLOOR FRAMING DETAIL
S-302 SCALE: 3/4\"/>



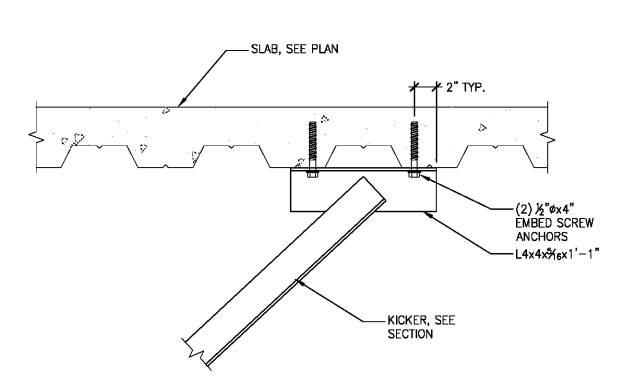
8 FRAMED COMPOSITE SLAB OPENING
S-302 SCALE: NONE



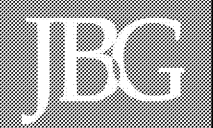
9 SLAB REINFORCING AT DECK PENETRATIONS
S-302 SCALE: NONE



10 COMPOSITE SLAB CONSTRUCTION JOINT
S-302 SCALE: NONE



11 KICKER CONN. TO SLAB
S-302 SCALE: 1 1/2\"/>



JEFFERSON BROWNE GRESHAM ARCHITECTS
170 HUNTERTON RD., SUITE 1100
ROSELAND CITY, GEORGIA 30089
770-288-9545
JEFFERSONBROWNEARCHITECTS.COM

REVISIONS	
NO.	DESCRIPTION

RENEWED MEDICAL BUILDING
CORE & SHELL ONLY
SOUTH FULTON, GEORGIA
PROJECT #19-9883



MARCH 27, 2020
PERMIT SET
RELEASED FOR CONSTRUCTION
RELEASE DATE

SECTIONS AND DETAILS

DRAWING TITLE
© COPYRIGHT 2020 JEFFERSON BROWNE GRESHAM ARCHITECTS
THIS DOCUMENT IS AN INSTRUMENT OF SERVICE
REMAINS THE PROPERTY OF JEFFERSON BROWNE GRESHAM ARCHITECTS AND NO PART THEREOF MAY BE REPRODUCED IN ANY FORM WITHOUT WRITTEN PERMISSION FROM JEFFERSON BROWNE GRESHAM ARCHITECTS.
Drawn By: [Signature]
Checked By: [Signature]
PROJECT # 19-9883

