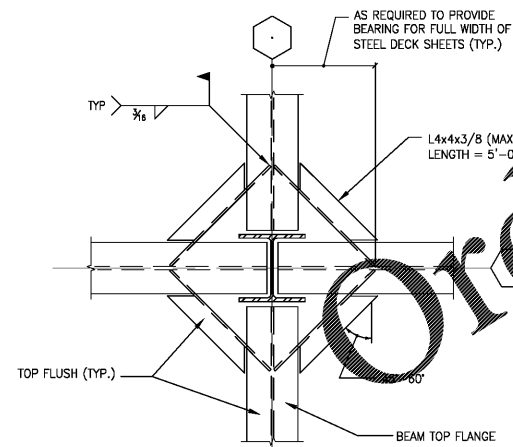


STEEL COLUMN SCHEDULE			
COLUMN MARK	C1	C2	C3
LEVEL			
ROOF			
SECOND FLOOR			
FIRST FLOOR	HSS6x3/8	HSS6x3/8	W14x43
T/FOOTING (SEE PLAN)			
ANCHOR RODS	4 - TYPE A	4 - TYPE A	4 - TYPE B
BASE PLATE	1'x11'x0'-11"	1'x12'x1'-0"	1 1/4'x22'x1'-4"
REMARKS			

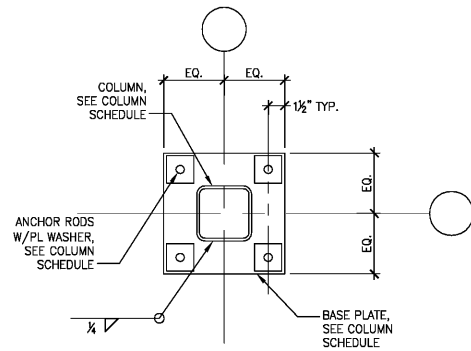
- SEE DETAIL 5/S-301 FOR ANCHOR ROD INFORMATION
- BASE PLATES MAY BE A36 OR A992, U.N.O.
- SEE PLANS FOR COLUMN ORIENTATION.

1 STEEL COLUMN SCHEDULE
S-301 NOT TO SCALE

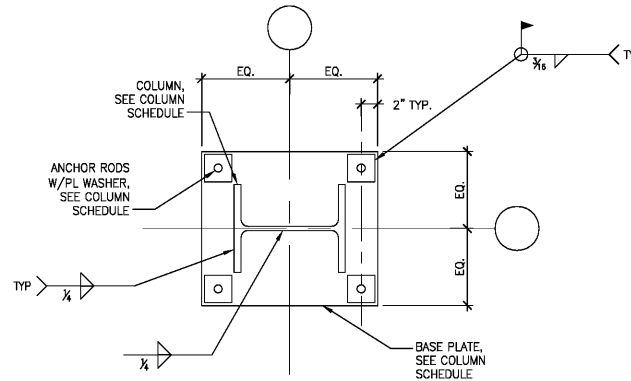


- TYP. DECK SUPPORT @ COLUMN. USE SIMILAR DETAIL.
- 1.) AT BEAM TO BEAM MOMENT CONNECTION
 - 2.) WHERE PIPE SLEEVES OCCUR NEXT TO COLUMN
 - 3.) WHERE COLUMN BASE PLATE OCCURS ON TOP FLANGE OF STEEL BEAM
 - 4.) AT ALL OTHER CONDITIONS WHERE DECK SUPPORT IS INTERRUPTED FOR A DISTANCE GREATER THAN 6"

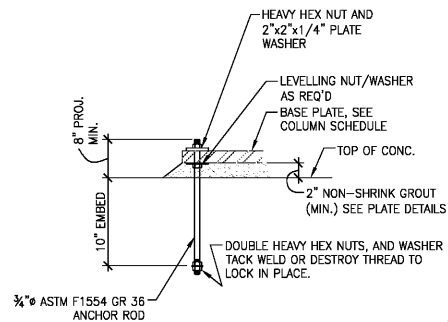
7 DECK SUPPORT AT COLUMN
S-301 SCALE: NONE



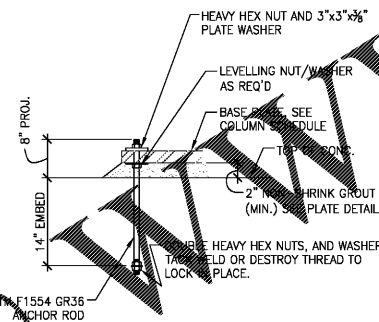
2 HSS COLUMN BASEPLATE
S-301 SCALE: 1/2"=1'-0"



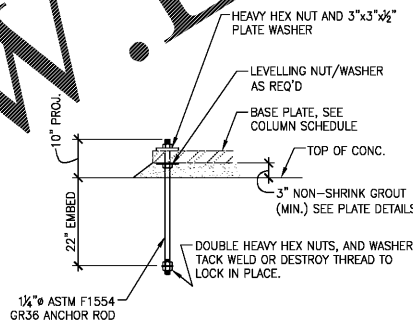
3 WF COLUMN BASEPLATE
S-301 SCALE: 1/2"=1'-0"



4 TYPICAL STEEL CONNECTION

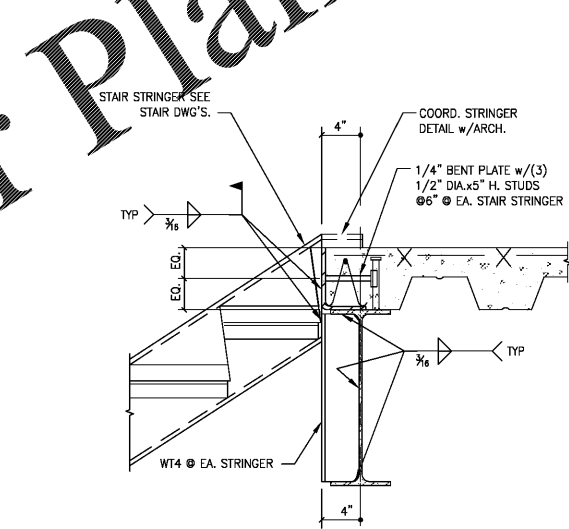


5 ANCHOR ROD DETAIL

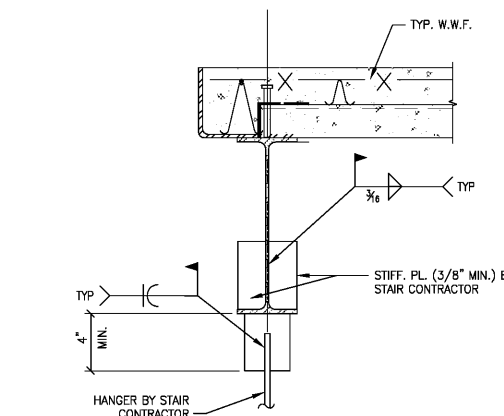


6 BEAM TO BEAM MOMENT CONNECTION

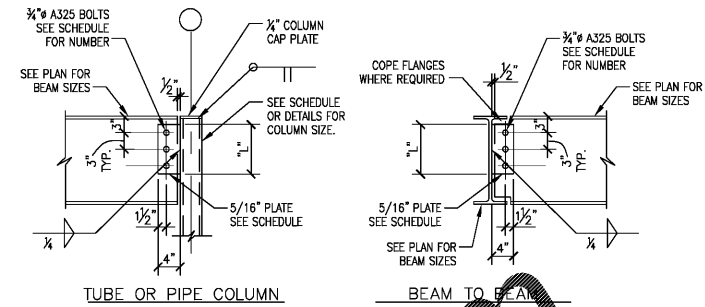
5 ANCHOR ROD DETAIL
S-301 NOT TO SCALE



8 TYPICAL STRINGER CONNECTION
S-301 SCALE: NONE



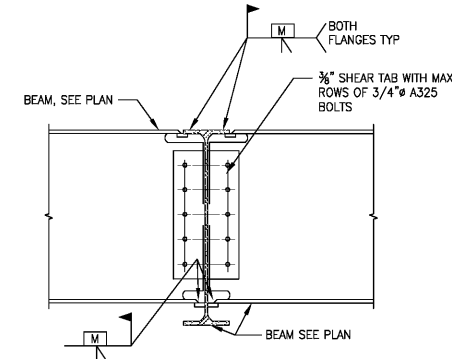
9 STAIR HANGER ROD CONNECTION
S-301 SCALE: NONE



MINIMUM BOLT & PLATE SCHEDULE		
BEAM DEPTH	NO. OF BOLT ROWS	PLATE LENGTH "L"
C9,W10,W12	2	5 1/2"
W14	3	8 1/2"
W16	4	11 1/2"
W18	5	14 1/2"

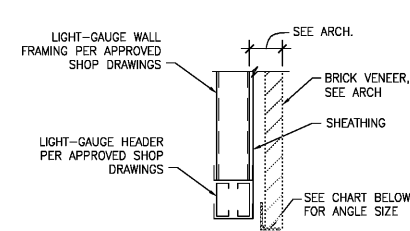
- NOTES:
1. BOLT QUANTITIES ARE MINIMUM ONLY. CONNECTIONS SHALL BE SIZED FOR THE PROVISIONS WHEN BOLT GRADE, SIZE, SPACING, PLATE CAN VARY.
 2. SEE GENERAL NOTES FOR ADDITIONAL INFORMATION.

4 TYPICAL STEEL CONNECTION
S-301 SCALE: 3/4"=1'-0"



- NOTES:
1. ALL WELDS TO BE COMPLETE PENETRATION GROOVE WELDS U.N.O.
 2. SEE PLAN FOR MOMENT CONNECTION LOCATIONS.
 3. DETAIL CONNECTION TO COMPLY WITH OSHA ERECTION REQUIREMENTS.

6 BEAM TO BEAM MOMENT CONNECTION
S-301 SCALE: NONE



SPAN	ANGLES
0 - 4'	L3x3x3/8
4.1' - 6.0'	L4x3x3/8
6.1' - 9'	L5x3x3/8

• LL.V. TYP.

10 TYPICAL LINTEL DETAIL
S-301 N.T.S.

JBG

JEFFERSON BROWNE GRESHAM ARCHITECTS
170 HENDERSON RD., SUITE 1200
ROCKFORD CITY, GEORGIA 30089
770-438-9545
JEFFERSONBROWNEARCHITECTS.COM

REVISIONS
NO. DESCRIPTION
1 PLAN REVIEW DATED 12-30-2019

RENEWED MEDICAL BUILDING
CORE & SHELL ONLY
SOUTH FULTON, GEORGIA
PROJECT #19-9883



MARCH 27, 2020
PERMIT SET
RELEASED FOR CONSTRUCTION
RELEASE DATE

SECTIONS AND DETAILS

DRAWING TITLE

© COPYRIGHT 2020 JEFFERSON BROWNE GRESHAM ARCHITECTS. THIS DOCUMENT AS AN INSTRUMENT OF SERVICE REMAINS THE PROPERTY OF JEFFERSON BROWNE GRESHAM ARCHITECTS AND NO PART THEREOF MAY BE REPRODUCED IN ANY FORM WITHOUT WRITTEN PERMISSION FROM JEFFERSON BROWNE GRESHAM ARCHITECTS.

Drawn By: [blank]
Checked By: [blank]
Project # 19-9883



S-301