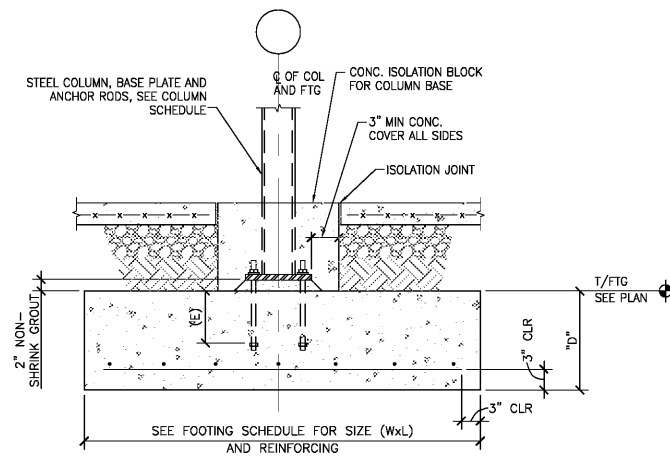
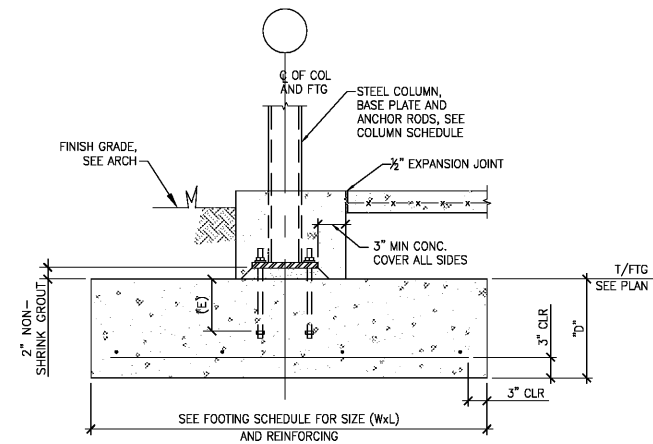


FOOTING SCHEDULE				
MARK	SIZE W x L x D	BOTTOM REINF (EW, UNO)	TOP REINF (EW, UNO)	NOTES
FA	9'-0"x32'-6"x2'-3"	7 #8 LONG #8@16"+HK EE SHORT	7 #8 LONG #7@16" SHORT	90° HOOKS
FB	10'-0"x25'-0"x3'-0"	10 #8 LONG #8@12" SHORT	10 #8 LONG #7@16" SHORT	
F5.0	5'-0"x5'-0"x1'-3"	5 #6		
F5.5	5'-6"x5'-6"x1'-3"	6 #5		
F6.0	6'-0"x6'-0"x1'-4"	6 #6		
F6T	6'-0"x6'-0"x1'-4"	6 #6+HK	6 #6	90° HOOKS
F6.5	6'-6"x6'-6"x1'-5"	7 #6		
F7.0	7'-0"x7'-0"x1'-6"	7 #6		
F8.0	8'-0"x8'-0"x1'-8"	8 #6	8 #6	
F9.0	9'-0"x9'-0"x1'-10"	9 #7	9 #6	



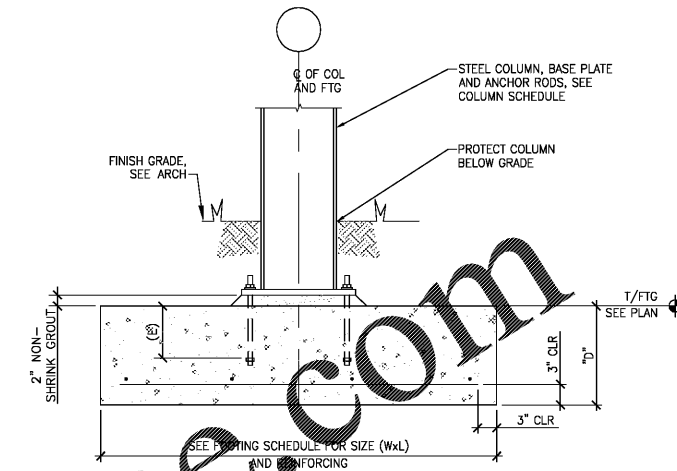
NOTES:
1. SEE 1/S-301 FOR COLUMN SCHEDULE.
2. SEE 1/S-201 FOR FOOTING SCHEDULE.

2 INTERIOR COLUMN DETAIL
S-201



NOTES:
1. SEE 1/S-301 FOR COLUMN SCHEDULE.
2. SEE 1/S-201 FOR FOOTING SCHEDULE.

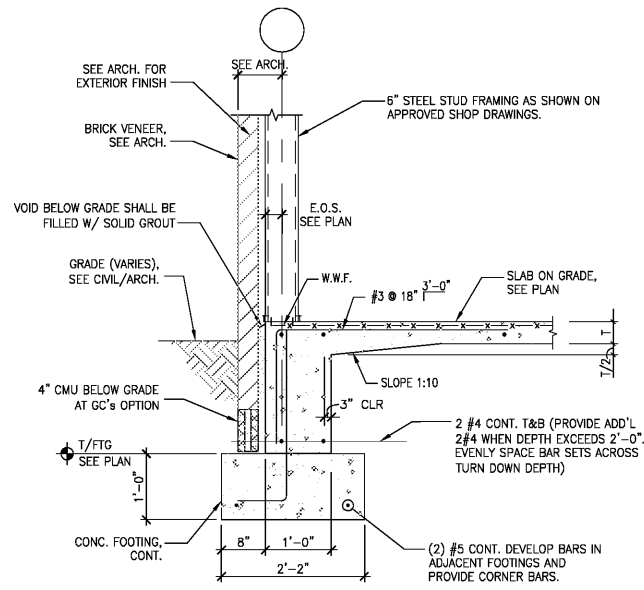
3 EXTERIOR COLUMN DETAIL
S-201



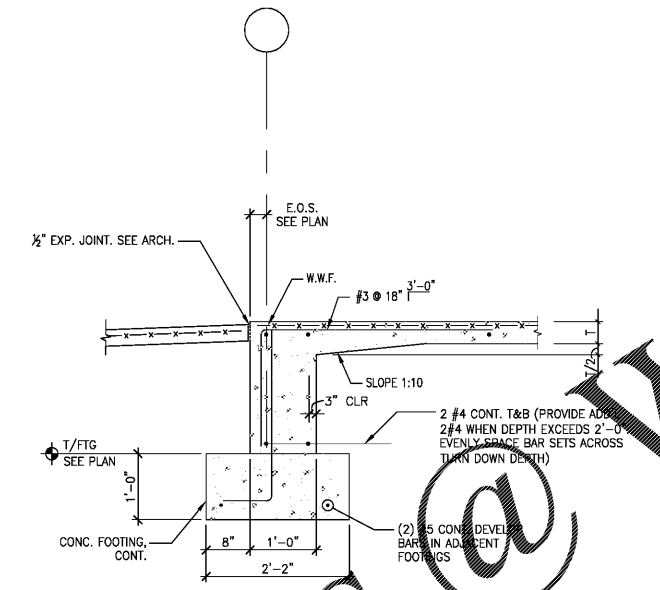
NOTES:
1. SEE 1/S-301 FOR COLUMN SCHEDULE.
2. SEE 1/S-201 FOR FOOTING SCHEDULE.

4 CANOPY COLUMN DETAIL
S-201

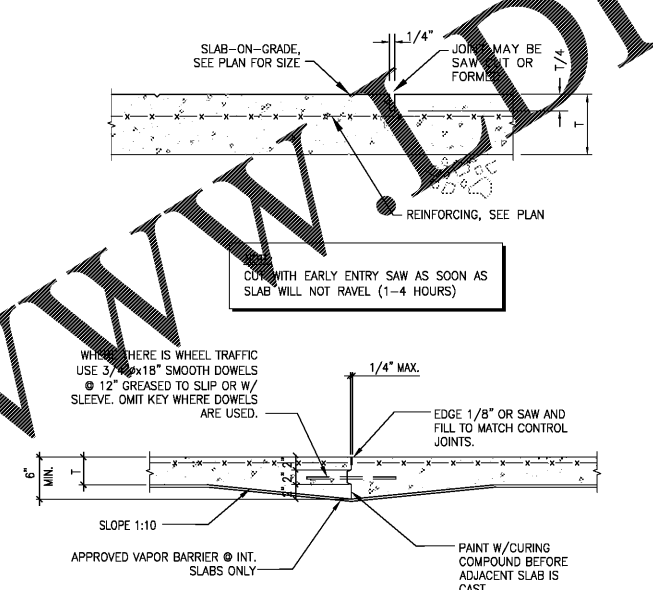
1 FOOTING SCHEDULE
S-201 NOT TO SCALE



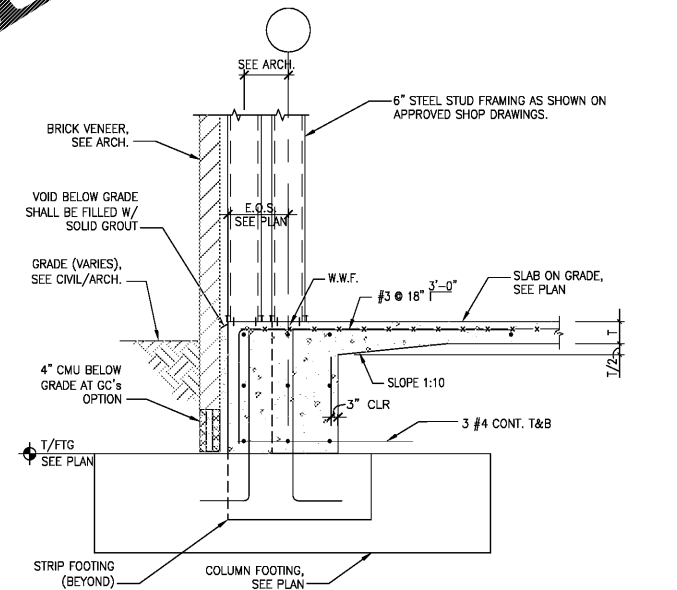
5 TYPICAL SLAB EDGE DETAIL
S-201 SCALE: 3/4"=1'-0"



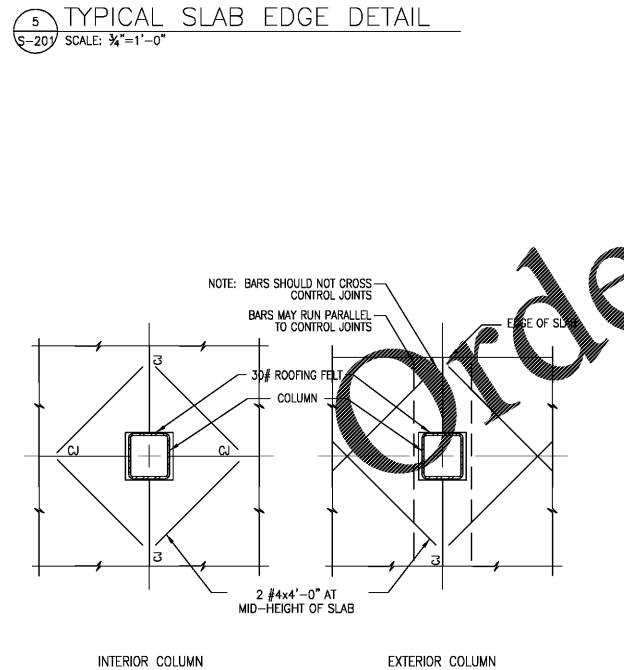
6 SLAB EDGE AT DOORS
S-201 SCALE: 3/4"=1'-0"



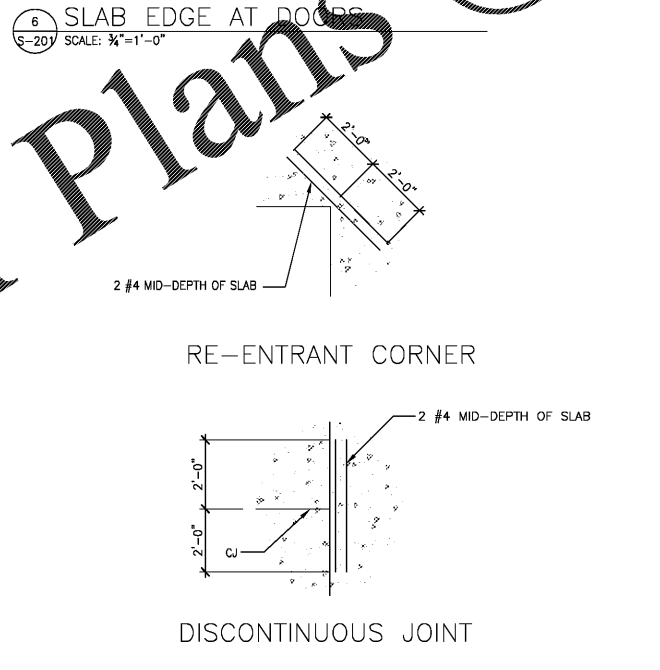
7 SLAB CONTROL/CONSTRUCTION JOINT
S-201 SCALE: 3/4"=1'-0"



8 SLAB EDGE AT DOUBLE WALL
S-201 SCALE: 3/4"=1'-0"



9 SLAB ISOLATION JOINT AT COLUMN
S-201 SCALE: 3/4"=1'-0"



10 TYPICAL SLAB REINFORCING
S-201 NOT TO SCALE

JBG

JEFFERSON BROWNE GRESHAM ARCHITECTS

170 HUNTERTON RD., SUITE 1200
ROSELAND, GA 30089

770-438-9545
JEFFERSONBROWNEARCHITECTS.COM

REVISIONS

NO.	DESCRIPTION

LAWSON OFFICE BUILDING
CORE & SHELL
NEWMAN CROSSING BYPASS
NEWMAN, GEORGIA 309263
PROJECT #2843

REGISTERED PROFESSIONAL
ARCHITECT
STATE OF GEORGIA
JAMES M. HINES
03/27/2020
SEAL

NOVEMBER 08, 2019

PERMIT SET
RELEASED FOR CONSTRUCTION

RELEASE DATE

FOUNDATION SECTIONS AND DETAILS

DRAWING TITLE

© COPYRIGHT 2019
JEFFERSON BROWNE GRESHAM ARCHITECTS
THIS DOCUMENT IS AN INSTRUMENT OF SERVICE AND REMAINS THE PROPERTY OF ARCHITECTS AND NO PART THEREOF MAY BE REPRODUCED IN ANY FORM WITHOUT WRITTEN PERMISSION FROM JEFFERSON BROWNE GRESHAM ARCHITECTS.

Drawn By:
Checked By:
DATE:
PROJECT #

18-2843

CSSE PROJ. NO. 1510667

GGSE

GOODMAN & GIANNAVOLA ENGINEERS

311 14th STREET
SUITE 3
ATLANTA, GA 30318
GGSE.US

DATE:
PROJECT #

18-2843