

REVISIONS

NO.	DESCRIPTION

RENEWED MEDICAL BUILDING  
 CORE & SHELL ONLY  
 SOUTH FULTON, GEORGIA  
 PROJECT #19-9883



03/27/2020  
 SEAL

MARCH 27, 2020  
 PERMIT SET  
 RELEASED FOR CONSTRUCTION  
 RELEASE DATE

ROOF FRAMING PLAN

DRAWING TITLE

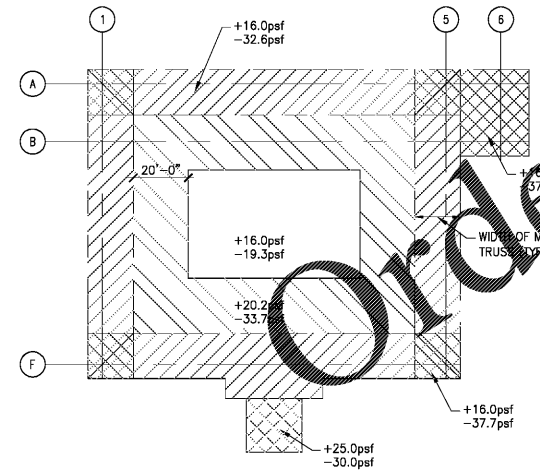
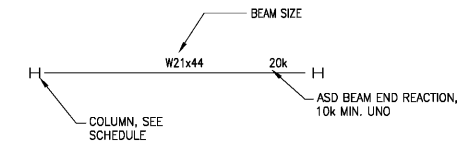
© COPYRIGHT 2020 JEFFERSON BROWNE GRESHAM ARCHITECTS. THIS DOCUMENT AS AN INSTRUMENT OF SERVICE REMAINS THE PROPERTY OF JEFFERSON BROWNE GRESHAM ARCHITECTS AND NO PART THEREOF MAY BE REPRODUCED IN ANY FORM WITHOUT WRITTEN PERMISSION FROM JEFFERSON BROWNE GRESHAM ARCHITECTS.

Drawn By:   
 Checked By:   
 Project # 19-9883

1 ROOF FRAMING PLAN  
 S-103 SCALE: 1/8"=1'-0"

ROOF FRAMING PLAN NOTES:

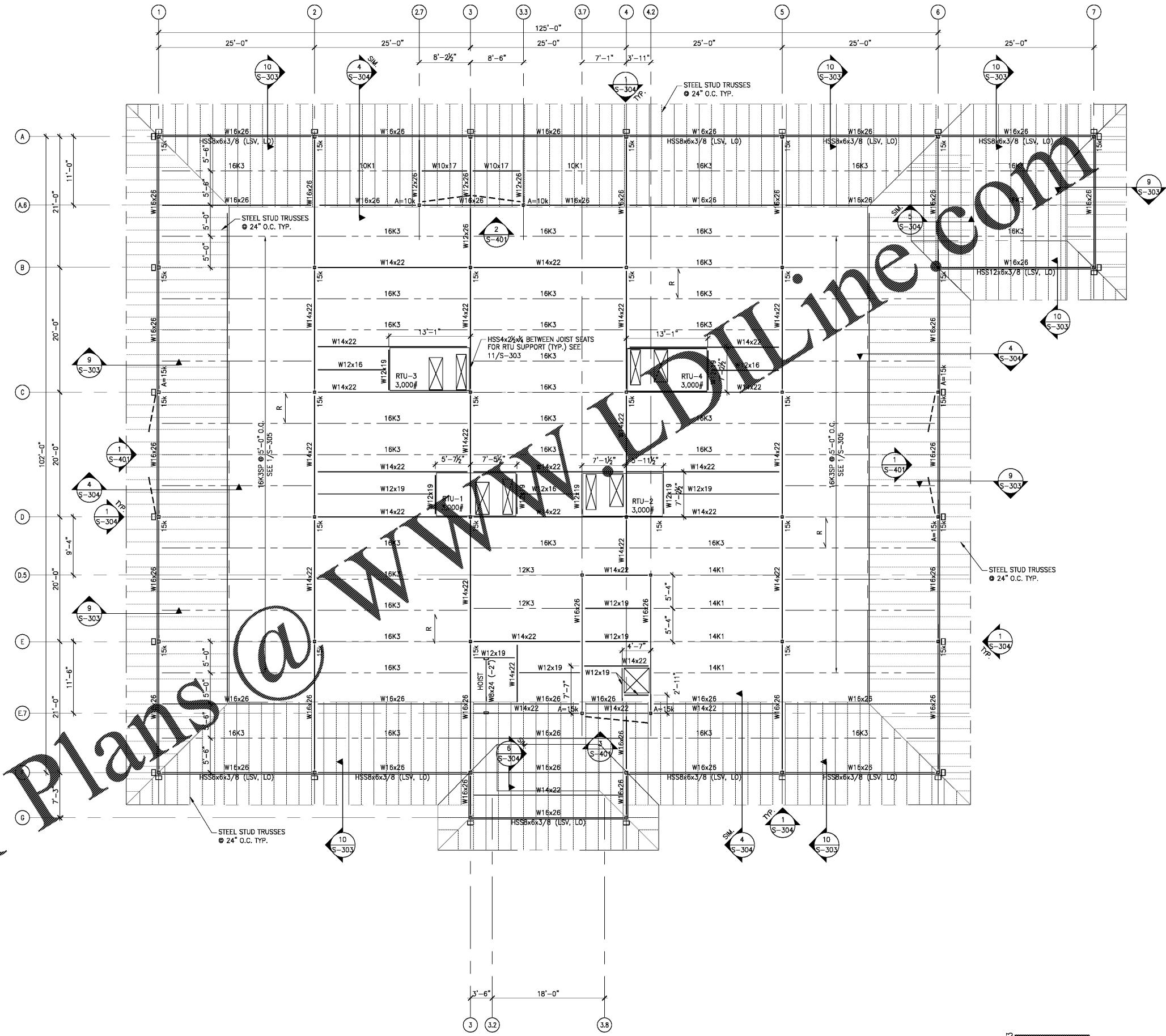
- VERIFY ALL DIMENSIONS AND ELEVATIONS WITH ARCHITECTURAL DRAWINGS BEFORE COMMENCING CONSTRUCTION. ALL DISCREPANCIES SHALL BE BROUGHT TO THE ATTENTION OF THE ARCHITECT AND THE STRUCTURAL ENGINEER. FOR ADDITIONAL INFORMATION SEE ARCHITECTURAL DRAWINGS.
- SEE ARCHITECTURE FOR TOP OF FINISHED ROOF ELEVATIONS, ROOF SLOPES AND ROOF DRAIN LOCATIONS.
- COORDINATE SIZE AND LOCATION OF ALL OPENINGS IN ROOF WITH ARCH, MECH, AND PLUMBING DRAWINGS.
- BOTTOM OF DECK ELEVATION = +29'-0". LOWER STEEL AS NEEDED FOR JOIST BEARING.
- A=±xxx INDICATES SERVICE AXIAL FORCE. PROPORTION CONNECTIONS FOR "A" IN COMBINATION WITH SHEAR FORCE. INDICATED AXIAL FORCE MUST BE TRANSFERRED THROUGH COLUMN TO ADJACENT MEMBER.
- SEE 4/S-301 FOR TYPICAL CONNECTIONS.
- PROVIDE FRAMING AROUND OPENINGS IN ROOF AND UNDER MECHANICAL UNIT SUPPORT CURBS PER 5/S-303.
- R INDICATES SPAN OF 1 1/2" DEEP, TYPE B, 22 GA GALVANIZED STEEL WIDE RIB ROOF DECK (THREE SPAN MIN. CONDITION). FASTEN DECK TO ALL SUPPORTS PARALLEL AND PERP. TO SPAN. ATTACH USING 3/4 (4) PATTERN. SEE S-002 FOR ADDITIONAL INFORMATION.
- COORDINATE SAFETY BEAM LOCATION WITH ELEV. MANUF.



PLAN NOTES:

- LOADS SHOWN ARE FOR 10sf. VALUES FOR OTHER TRIBUTARY AREAS CAN BE CALCULATED PER ASCE 7-16.

2 ROOF C&C WIND PRESSURES  
 S-103 SCALE: 1/8"=1'-0"



GGHE GOODMAN GIANNAVOLA HINES ENGINEERS  
 314 44th STREET SUITE 2 ATLANTA, GA 30318 GGHSEngineers.com