

REVISIONS

NO.	DESCRIPTION

RENEWED MEDICAL BUILDING  
CORE & SHELL ONLY

SOUTH FULTON, GEORGIA  
PROJECT #19-2983

PROJECT



SEAL

MARCH 27, 2020

PERMIT SET

RELEASE DATE

STOREFRONT SCHEDULE

DRAWING TITLE

© COPYRIGHT 2020 JEFFERSON BROWNE GRESHAM ARCHITECTS, INC. THIS DOCUMENT IS AN INSTRUMENT OF SERVICE. IT REMAINS THE PROPERTY OF JEFFERSON BROWNE GRESHAM ARCHITECTS AND NO PART THEREOF MAY BE REPRODUCED IN ANY FORM WITHOUT WRITTEN PERMISSION FROM JEFFERSON BROWNE GRESHAM ARCHITECTS.

Drawn By: JC  
Checked By: RG, JB  
PROJECT # 19-9883  
SHEET 20 OF 37

WINDOW SCHEDULE										
WINDOW ID	WINDOW TYPE	MASONRY OPENING		GLAZING	FRAME	HEAD DETAIL	JAMB DETAIL	SILL DETAIL	REMARKS	
		WIDTH	HEIGHT							
A	STOREFRONT	16'-0"	10'-0"	LOW E2 TEMPERED	ALUM. STOREFRONT	1A/A-603	2A/A-603	3A/A-603		
B	STOREFRONT	7'-4"	8'-4"	LOW E2 TEMPERED	ALUM. STOREFRONT	1B/A-603	2B/A-603	3B/A-603		
C	STOREFRONT	6'-4"	10'-0"	LOW E2 TEMPERED	ALUM. STOREFRONT	1C/A-603	2C/A-603	3C/A-603		
D	STOREFRONT	7'-4"	7'-4"	LOW E2 TEMPERED	ALUM. STOREFRONT	1D/A-603	2D/A-603	3D/A-603		
E	STOREFRONT	16'-0"	7'-4"	LOW E2 TEMPERED	ALUM. STOREFRONT	1E/A-603	2E/A-603	3E/A-603		

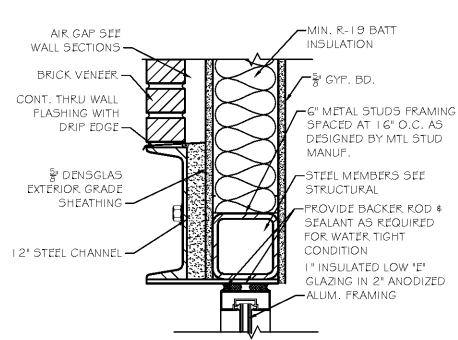
5 EXTERIOR WINDOW SCHEDULE  
1-1/2" = 1'-0"

GENERAL WINDOW AND DOOR NOTES:

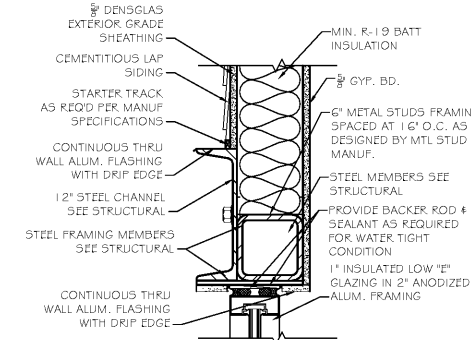
- USE INSULATION TO FILL ALL VOIDS AT WINDOW PERIMETER
- PROVIDE FLASHING, BACKER ROD, SEALANT AND WEEP WICKS.
- SHIM AND COLUMB UNITS AS REQUIRED
- PROVIDE STOREFRONT GLAZING AND WINDOW SHOP DRAWINGS FOR ARCHITECT REVIEW AND APPROVAL
- SAFETY GLAZING IS REQUIRED PER 2406.4.3 AND 2406.4.7. GLAZING ADJACENT TO STAIRWAYS, LANDINGS AND RAMP WITH 36" REACHES HORIZONTALS OF A WALKING SURFACE; WHERE THE EXPOSED SURFACE OF THE GLASS IS LESS THAN 36" INCHES ABOVE THE PLANE OF THE ADJACENT WALKING SURFACE.
- ALL WINDOW AND DOORS SHALL BE INSTALLED IN STRICT ACCORDANCE WITH SELECTED MANUFACTURERS SPECIFICATIONS AND RECOMMENDATIONS
- G.C. TO VERIFY A WATERTIGHT CONDITION IS PRESENT THROUGHOUT FACILITY

SPECIFICATION: EXT. STOREFRONT DOORS & FRAMES

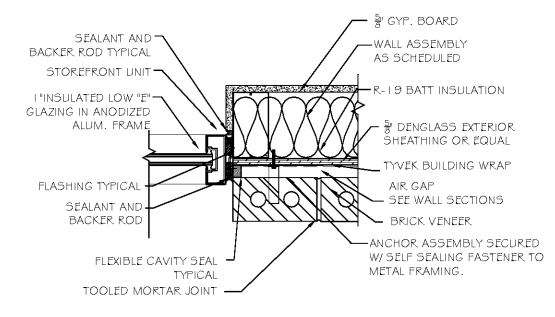
FRAMES: HIGH PERFORMANCE DUAL THERMAL BREAK - ANODIZED ALUM. - DARK BRONZE FINISH WITH GRAY TINT  
GLAZING: SOLAR BAN 60 WITH 1" INSULATING GLASS WITH GRAY TINT  
MIN. REQUIRED U-VALUE 0.29  
MIN. REQUIRED SHGC 0.25  
ALL SYSTEMS TO BE SUBMITTED TO AND APPROVED BY OWNER.  
NOTE: ① TEMPERED GLASS PANELS



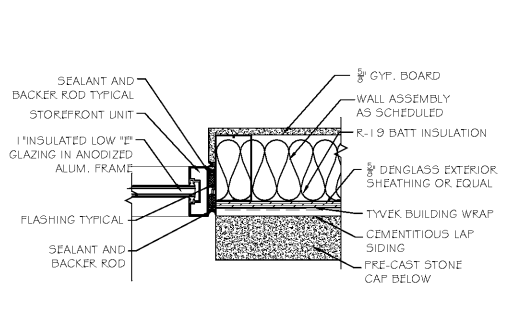
1A STOREFRONT HEAD DETAIL  
1-1/2" = 1'-0"



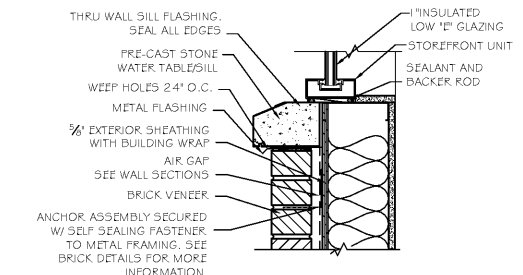
1B STOREFRONT HEAD DETAIL  
1-1/2" = 1'-0"



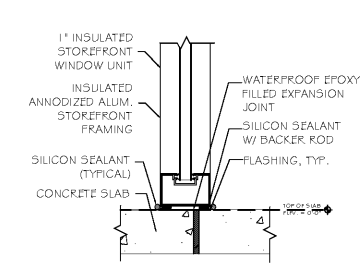
2A STOREFRONT JAMB DETAIL  
1-1/2" = 1'-0"



2B STOREFRONT JAMB DETAIL  
1-1/2" = 1'-0"

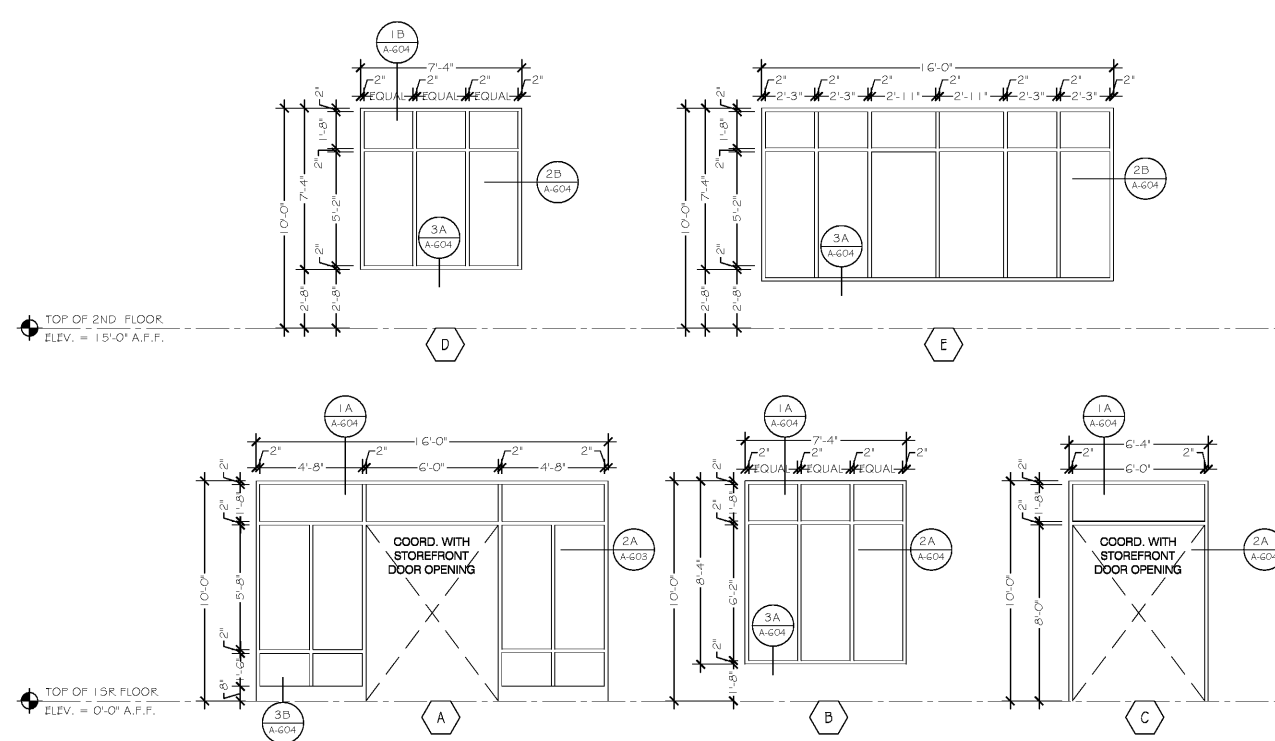


3A STOREFRONT SILL DETAIL  
1-1/2" = 1'-0"



3B STOREFRONT SILL DETAIL  
1-1/2" = 1'-0"

Order Plans @



4 EXTERIOR WINDOW ELEVATIONS  
1-1/2" = 1'-0"