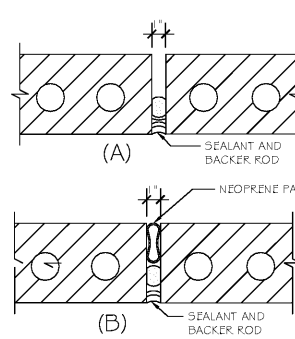
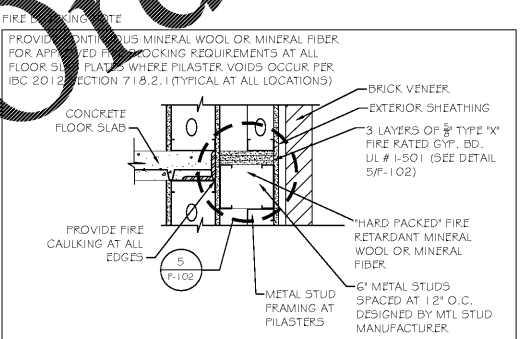


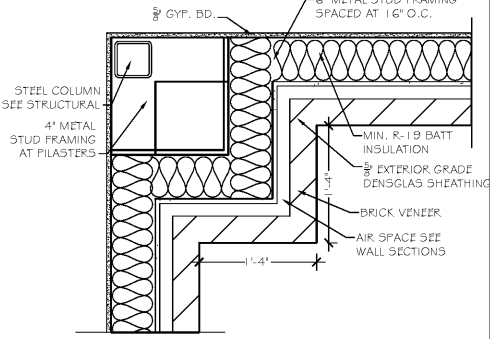
1 1ST FLOOR BRICK LAY-OUT PLAN  
1/8" = 1'-0"



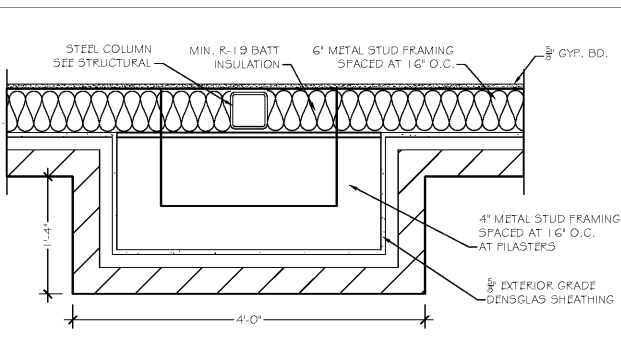
2 TYPICAL VERTICAL EXPANSION JOINT  
1/4" = 1'-0"



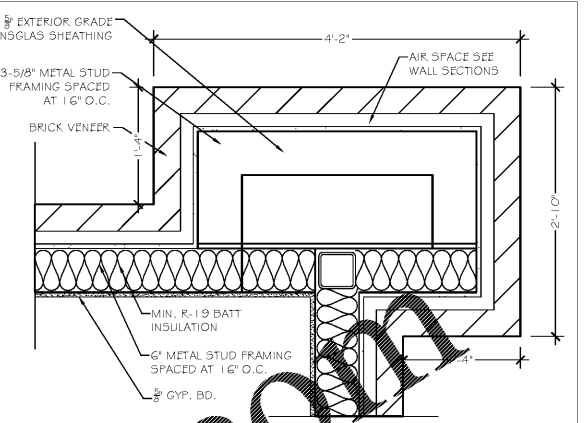
3 FIRE BLOCKING NOTE  
1/4" = 1'-0"



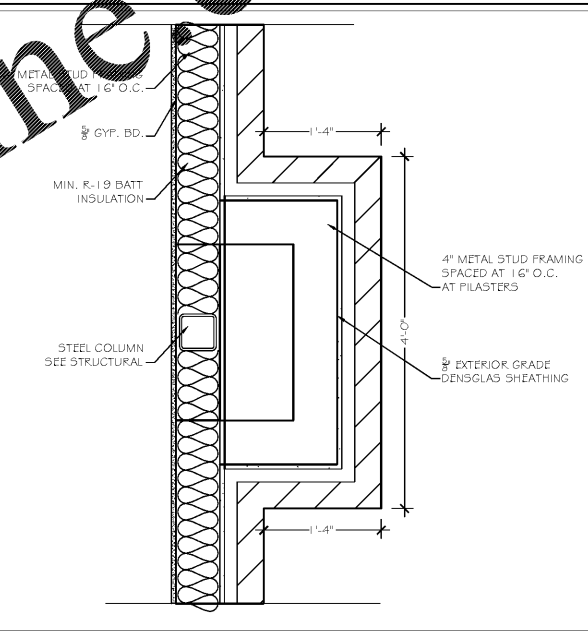
4 PLAN ENLARGEMENT - PILASTERS  
1/4" = 1'-0"



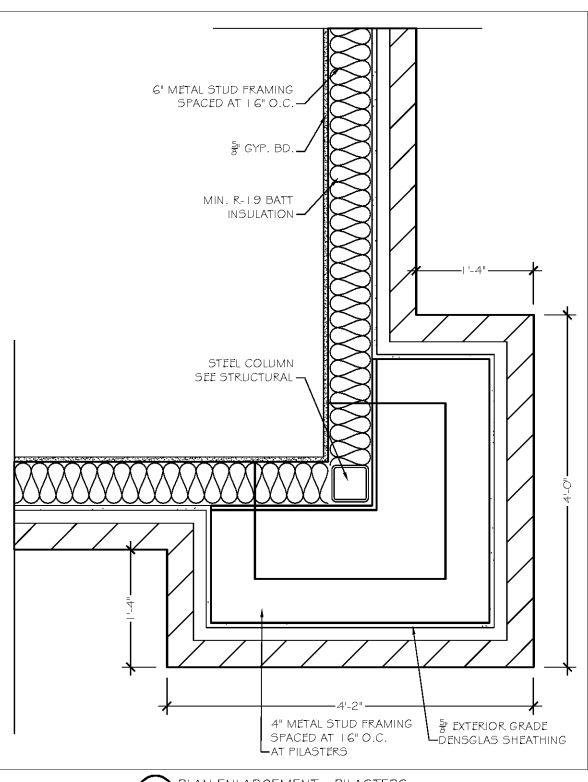
5 PLAN ENLARGEMENT - PILASTERS  
1/4" = 1'-0"



6 PLAN ENLARGEMENT - PILASTERS  
1/4" = 1'-0"



7 PLAN ENLARGEMENT - PILASTERS  
1/4" = 1'-0"



8 PLAN ENLARGEMENT - PILASTERS  
1/4" = 1'-0"

REVISIONS

NO.	DESCRIPTION

RENEWED MEDICAL BUILDING  
CORE & SHELL ONLY

SOUTH FULTON, GEORGIA  
PROJECT #19-2983



PERMIT SET  
RELEASE DATE

1ST FLOOR BRICK PLAN

DRAWING TITLE  
© COPYRIGHT 2020 JEFFERSON BROWNE GRESHAM ARCHITECTS, INC. THIS DOCUMENT IS AN INSTRUMENT OF SERVICE. IT REMAINS THE PROPERTY OF JEFFERSON BROWNE GRESHAM ARCHITECTS AND NO PART HEREOF MAY BE REPRODUCED IN ANY FORM WITHOUT WRITTEN PERMISSION FROM JEFFERSON BROWNE GRESHAM ARCHITECTS.

Drawn By: [Signature]  
Checked By: [Signature]  
PG. 3B  
PROJECT # 19-2983  
SHEET 06 OF 37