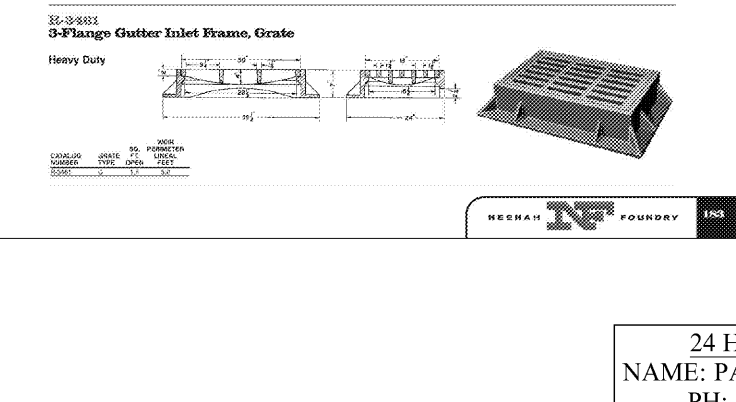
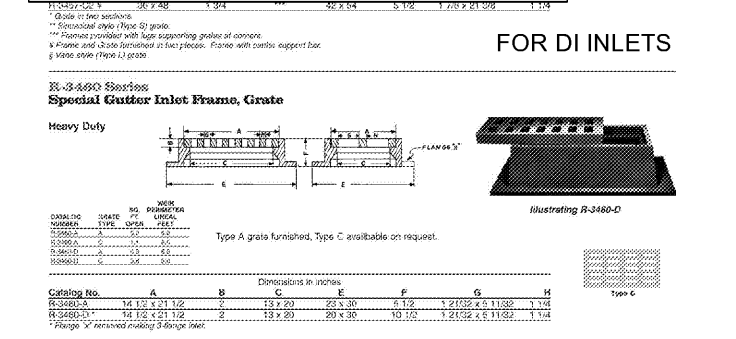
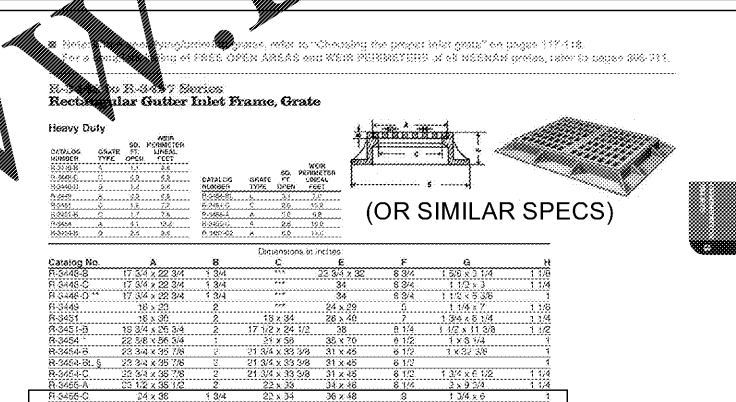
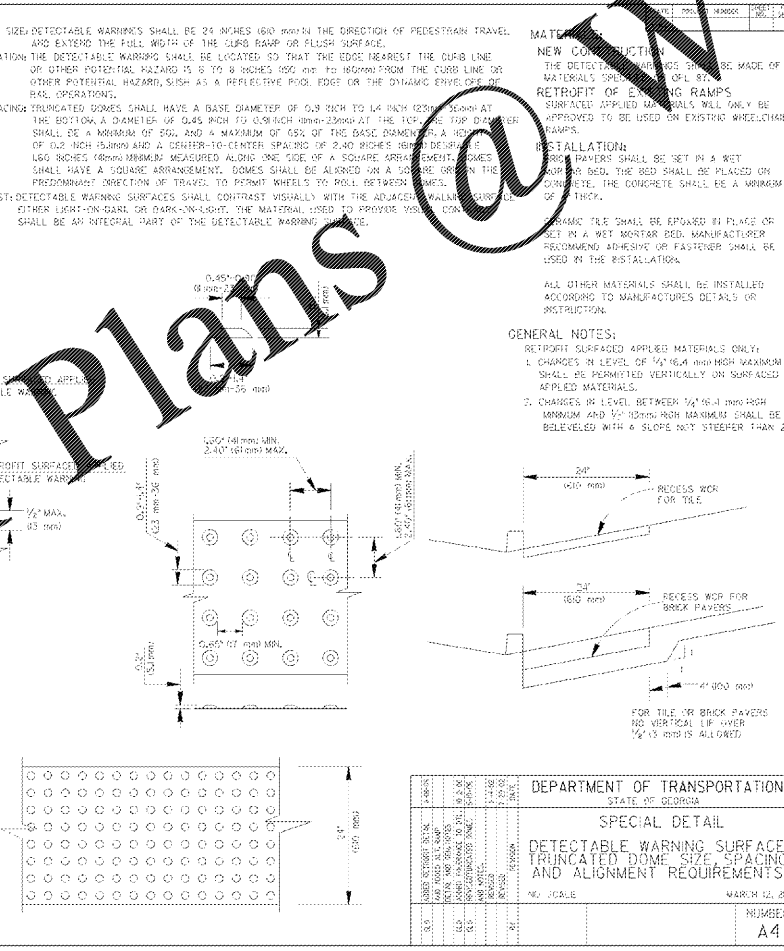
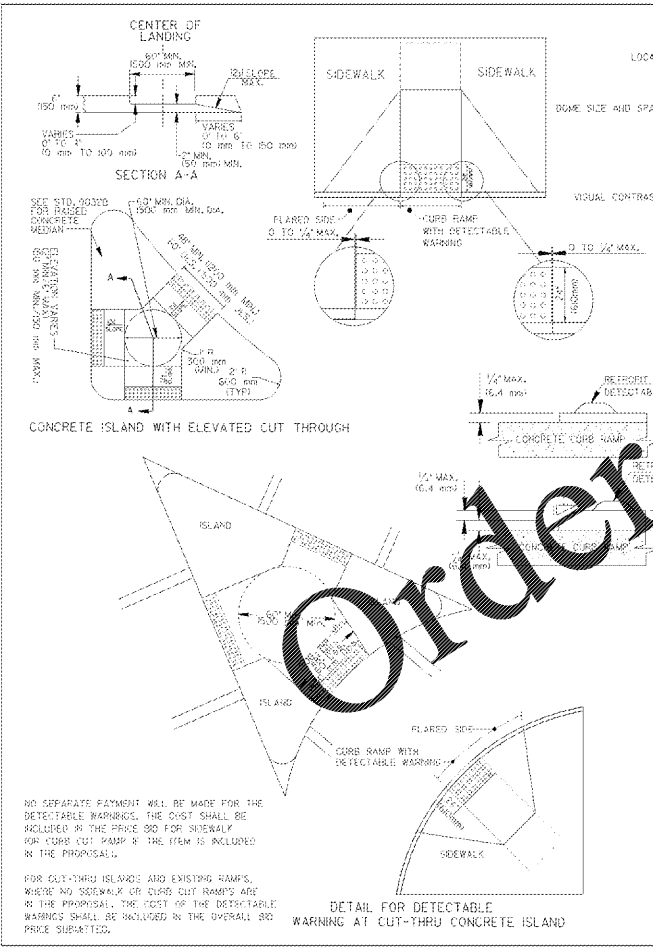
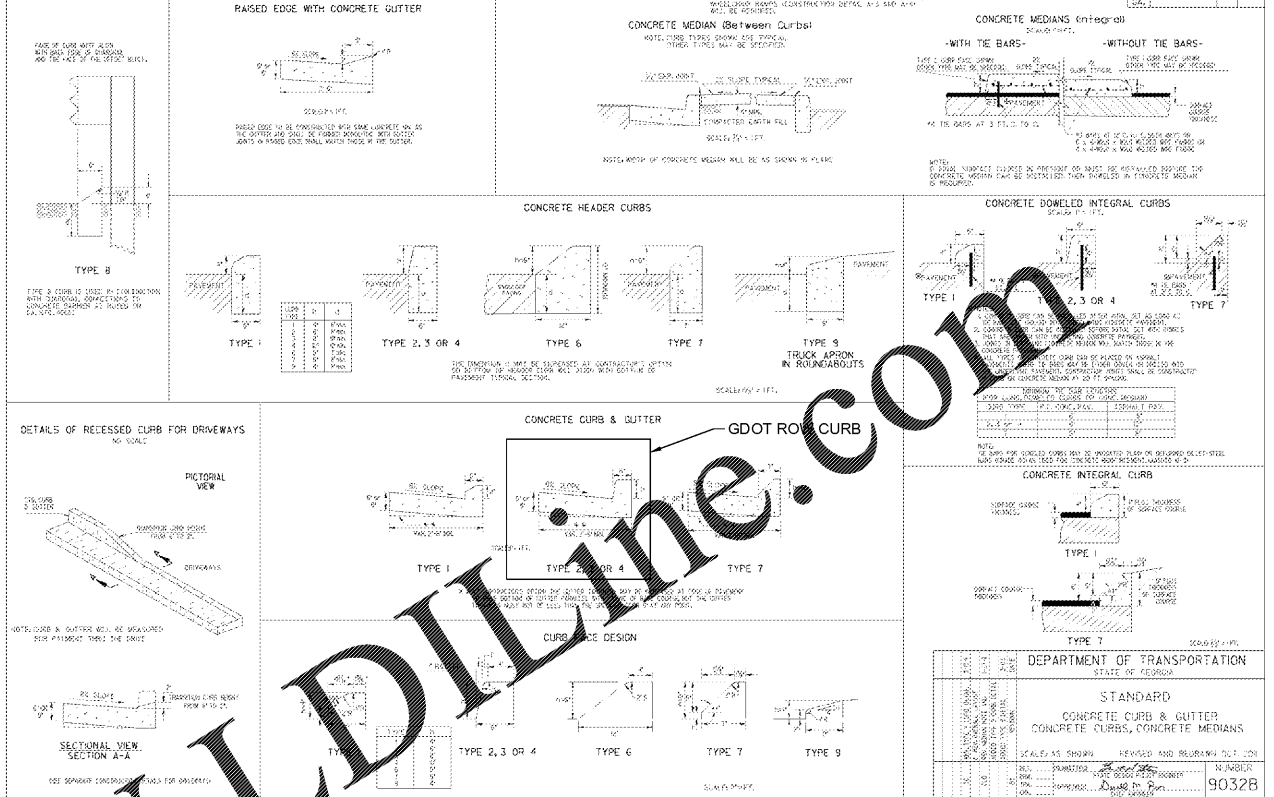


**DEPARTMENT OF TRANSPORTATION STATE OF GEORGIA**

**SPECIAL DETAIL CONCRETE SIDEWALK DETAILS CURB CUT (WHEELCHAIR) RAMPS**

NO SCALE

NUMBER: A4



NO SEPARATE PAYMENT WILL BE MADE FOR THE DETECTABLE WARNING. THE COST SHALL BE INCLUDED IN THE PRICE BID FOR SIDEWALK OR CURB CUT RAMPS. IF THE ITEM IS INCLUDED IN THE PROPOSAL, THE COST OF THE DETECTABLE WARNING SHALL BE INCLUDED IN THE OVERALL BID PRICE SUBMITTED.

FOR CUT-THRU ISLANDS AND EXISTING RAMPS, WHERE NO SIDEWALK OR CURB CUT RAMPS ARE IN THE PROPOSAL, THE COST OF THE DETECTABLE WARNING SHALL BE INCLUDED IN THE OVERALL BID PRICE SUBMITTED.

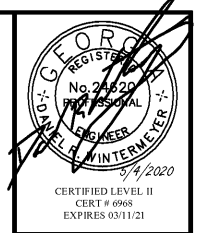
DEPARTMENT OF TRANSPORTATION STATE OF GEORGIA

**SPECIAL DETAIL DETECTABLE WARNING SURFACE TRUNCATED DOME SIZE, SPACING AND ALIGNMENT REQUIREMENTS**

NO SCALE

NUMBER: A4

24 HR CONTACT  
NAME: PAUL MCKOY  
PH: (678) 472-3734



**Urban Engineers, Inc.**  
1904 MONROE DRIVE, N.E., SUITE 150  
ATLANTA, GEORGIA 30324  
PHONE: (404) 873-5874  
www.urbanengineers.net



**REVISIONS**

| DATE       | DESCRIPTION |
|------------|-------------|
| 02/15/2020 | 1           |

**DETAILS**

21802-4

132, 133

13TH

FULTON

COUNTY:

N.T.S.

SCALE:

DATE: 04/09/2020

**RENEWED MEDICAL**

**OLD NATIONAL HIGHWAY**

**SOUTH FULTON, GA**

PROJECT No. 21802-4

LAND LOT(S): 132, 133

DISTRICT: 13TH

COUNTY: FULTON

SCALE: N.T.S.

DATE: 04/09/2020

DRAWING NO. **C-2.5**