

Urban Engineers, Inc.
 1904 MONROE DRIVE, N.E., SUITE 150
 ATLANTA, GEORGIA 30324
 PHONE: (404) 873-5874
 www.urbanengineers.net



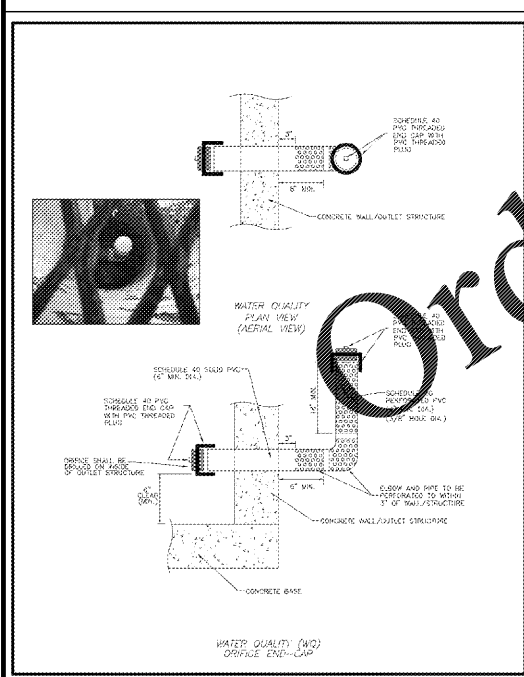
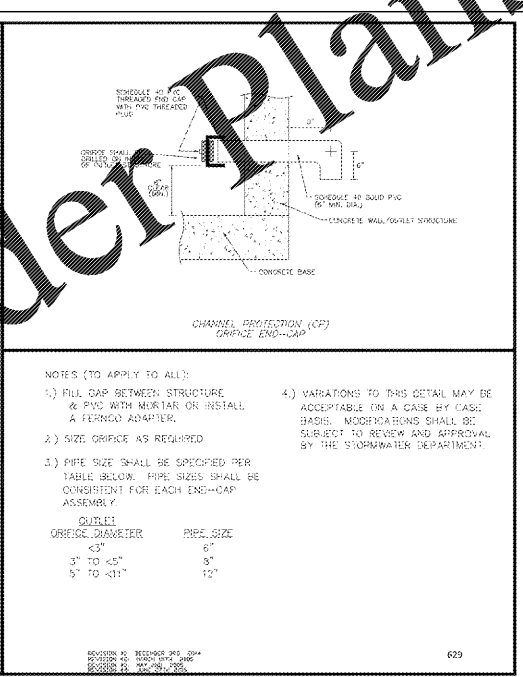
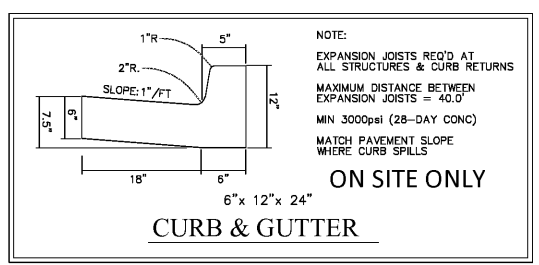
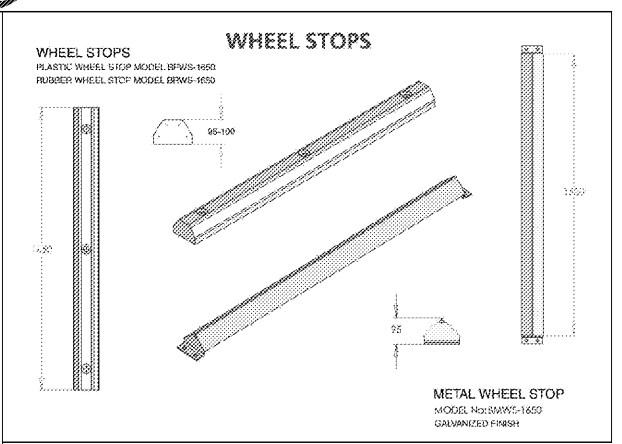
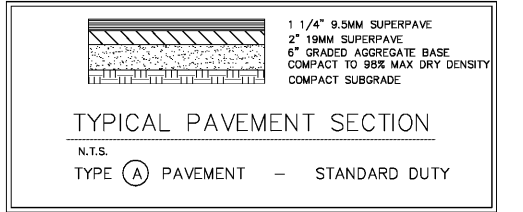
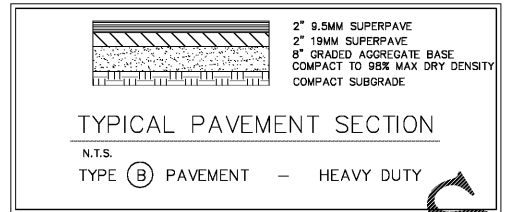
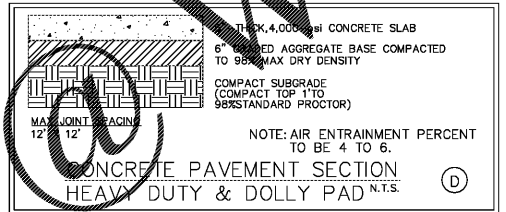
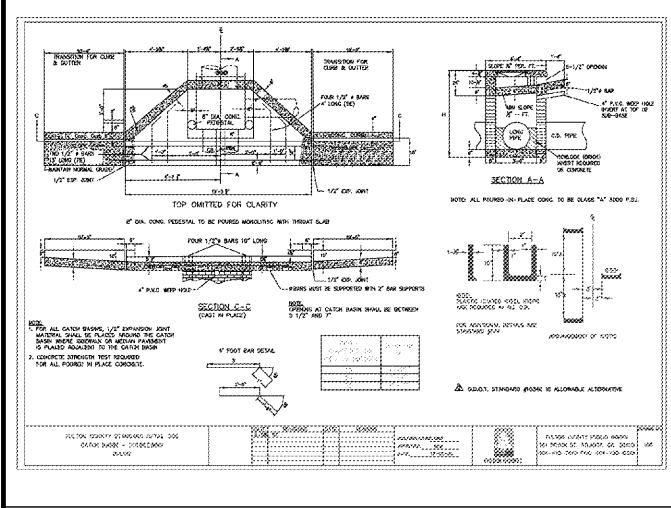
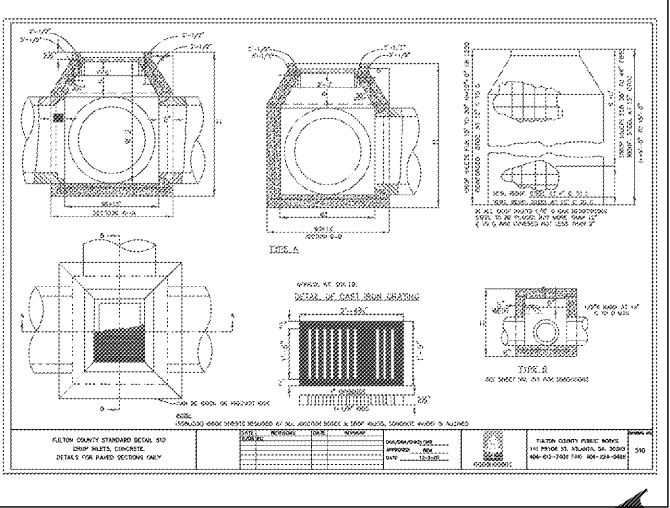
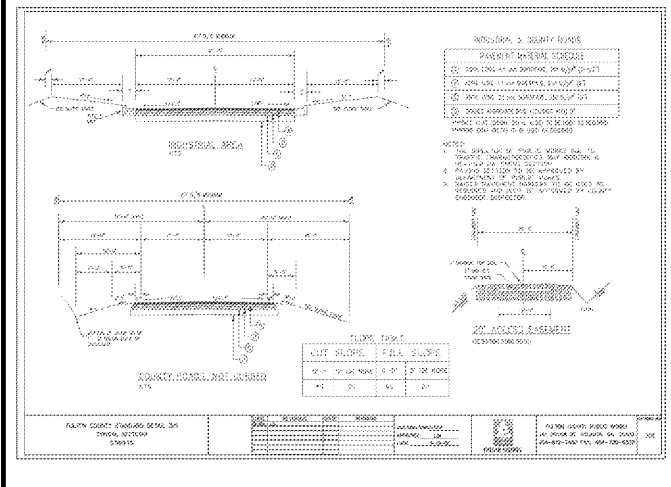
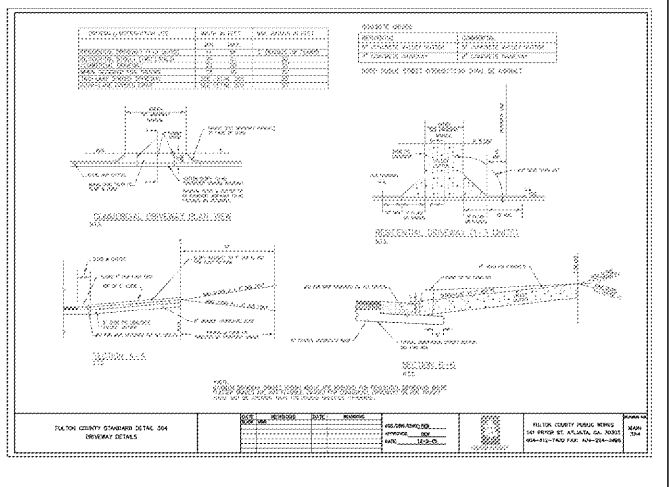
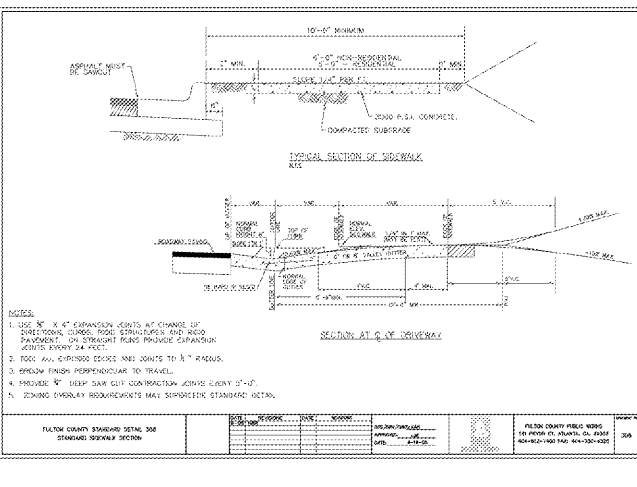
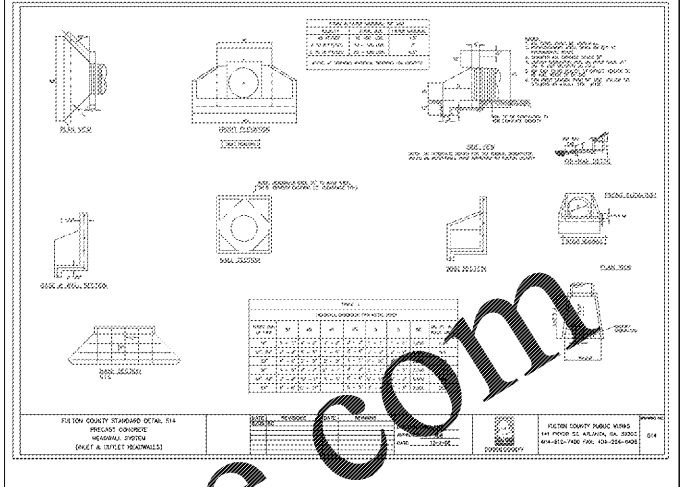
DATE	DESCRIPTION
04/15/2020	1 SUBMITTAL SET

REVISIONS

DETAILS

PROJECT No. 21802-4
 LAND LOT(S) 132, 133
 DISTRICT 13TH
 COUNTY FULTON
 SCALE N.T.S.
 DATE 04/09/2020

DRAWING NO. **C-2.1**



24 HR CONTACT
 NAME: PAUL MCKOY
 PH: (678) 472-3734



U:\URB00\urba\inc-2018\21802-4 - Renewed Medical\21802-4.dwg
 04/09/2020 1:42:18 PM