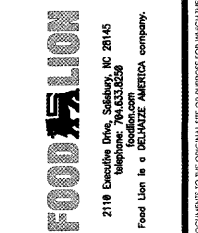


ARCHITECT'S SEAL:

ENGINEER'S SEAL:



REVISIONS
NO DATE REMARKS

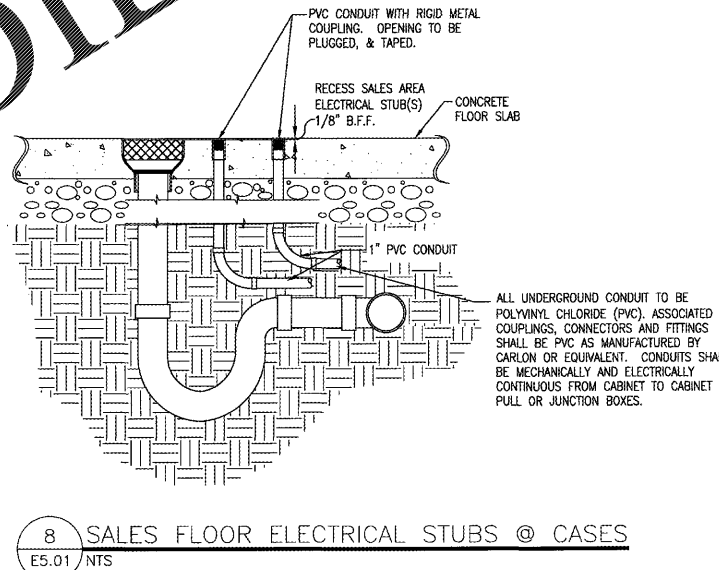
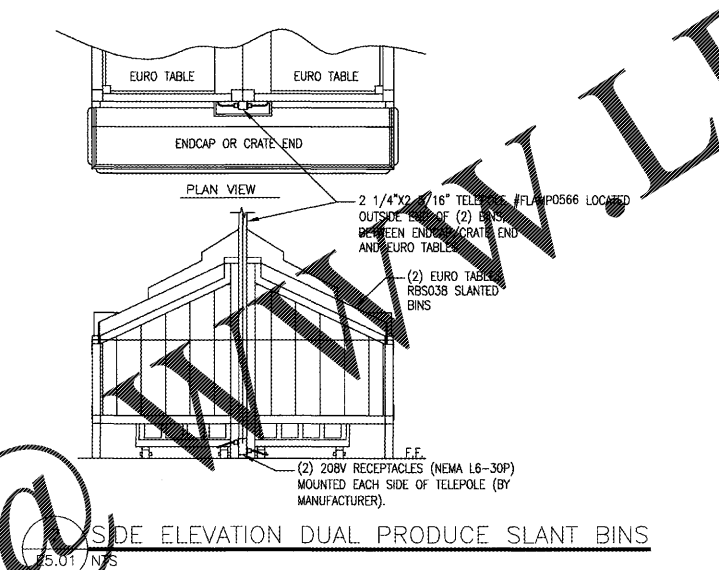
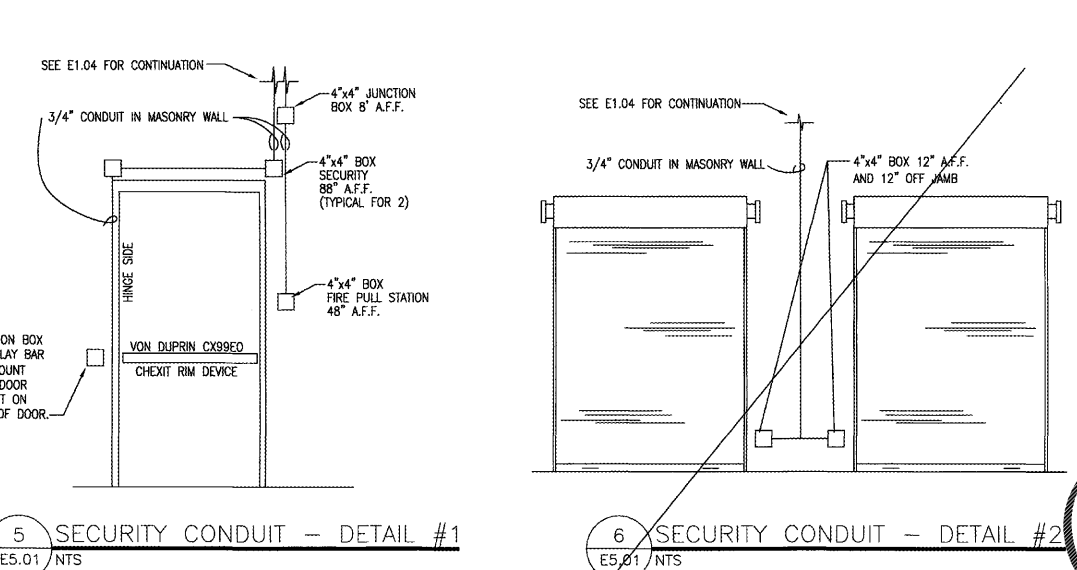
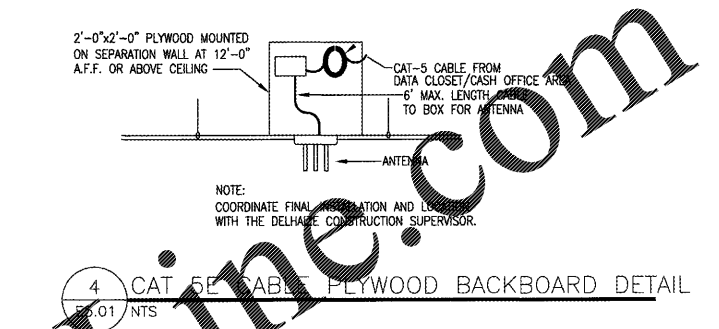
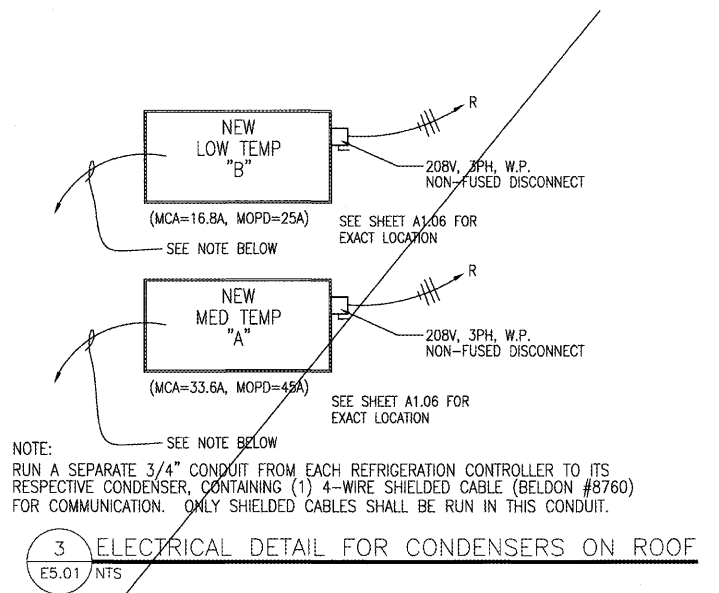
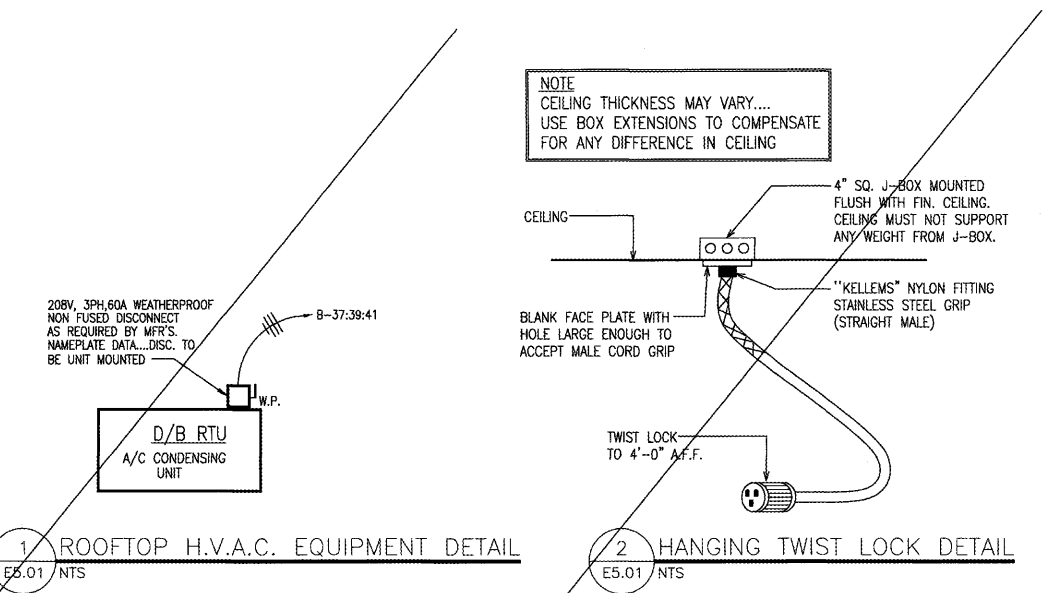


FOOD LION
REMODEL
STORE #1208
13490 DUMFRIES RD
MANASSAS, VA 20112

PROJECT NO: 2019.0917
DATE: 2-13-20

43 OF 47
E5.01
ELECTRICAL DETAILS

CHECKED: BKJ DRAWN: MM



Order Plans @

WWW.LDILINE.COM

COPYRIGHT © 2020 INTERPLAN LLC. RESERVE COPYRIGHT & OTHER RIGHTS RESTRICTING THESE DOCUMENTS TO THE ORIGINAL USE OR PURPOSE FOR WHICH THEY WERE PREPARED. REPRODUCTIONS, CHANGES OR ASSIGNMENTS ARE PROHIBITED.