

ARCHITECT'S SEAL:

ENGINEER'S SEAL:



REVISIONS  
NO. DATE REMARKS

**FOOD LION**  
2118 Executive Dr., Spotsylvania, VA 20145  
Telephone: 784.633.2528  
foodlion.com  
Food Lion is a DELAWARE AMERICA company.

**FOOD LION**  
REMODEL  
STORE #1208  
13490 DUMFRIES RD  
MANASSAS, VA 20112

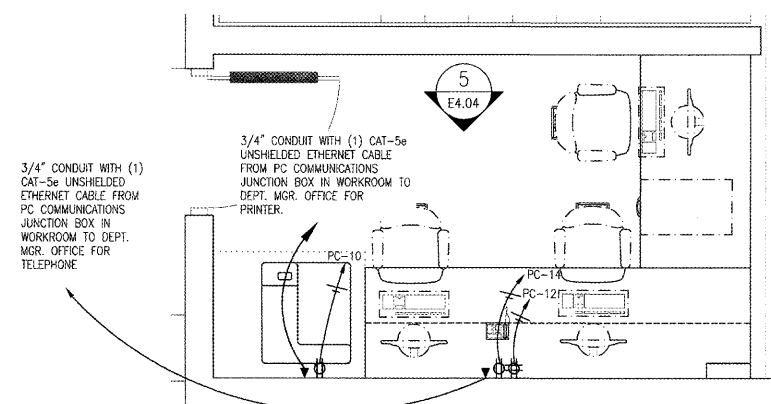
PROJECT NO: 2019.0917  
DATE: 2-13-20

42 OF 47  
**E4.04**

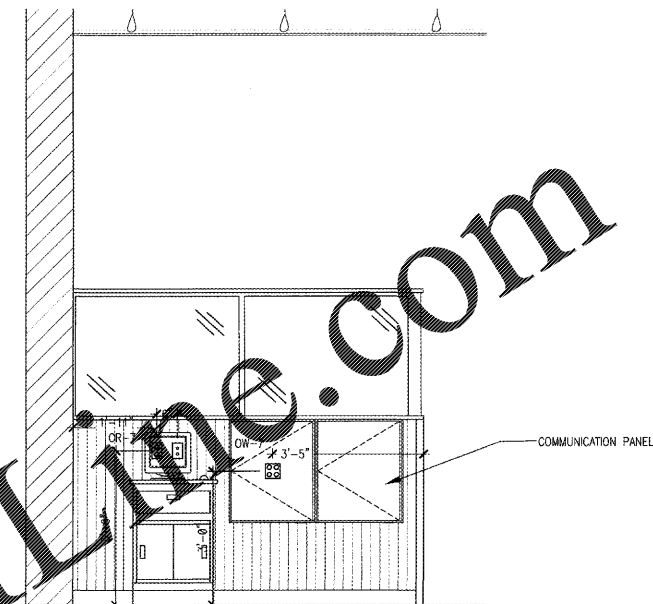
DEPARTMENT MANAGERS  
OFFICE POWER & COMM.

CHECKED: BKJ DRAWN: MVI

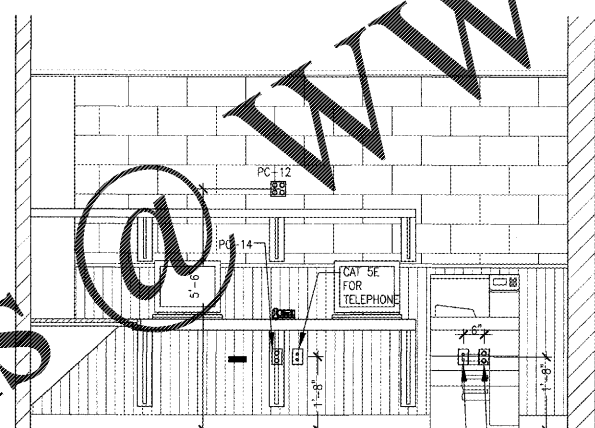
COPYRIGHT © 2020 INTERPLAN, LLC. RESERVES COPYRIGHT & OTHER RIGHTS RESTRICTING THE REPRODUCTION OR ASSASSINMENT ARE PROHIBITED.



4 ENLARGED ELECTRICAL POWER PLAN - DEPT. MANAGER'S OFFICE  
E4.04 SCALE: 1/2" = 1'-0"



3 OUTSIDE WORKROOM  
E4.04 SCALE: 1/2" = 1'-0"



5 DEPT. MANAGER'S OFFICE ELEVATION  
E4.04 SCALE: 1/2" = 1'-0"

Order Plans @ WWW.LDILLINE.COM